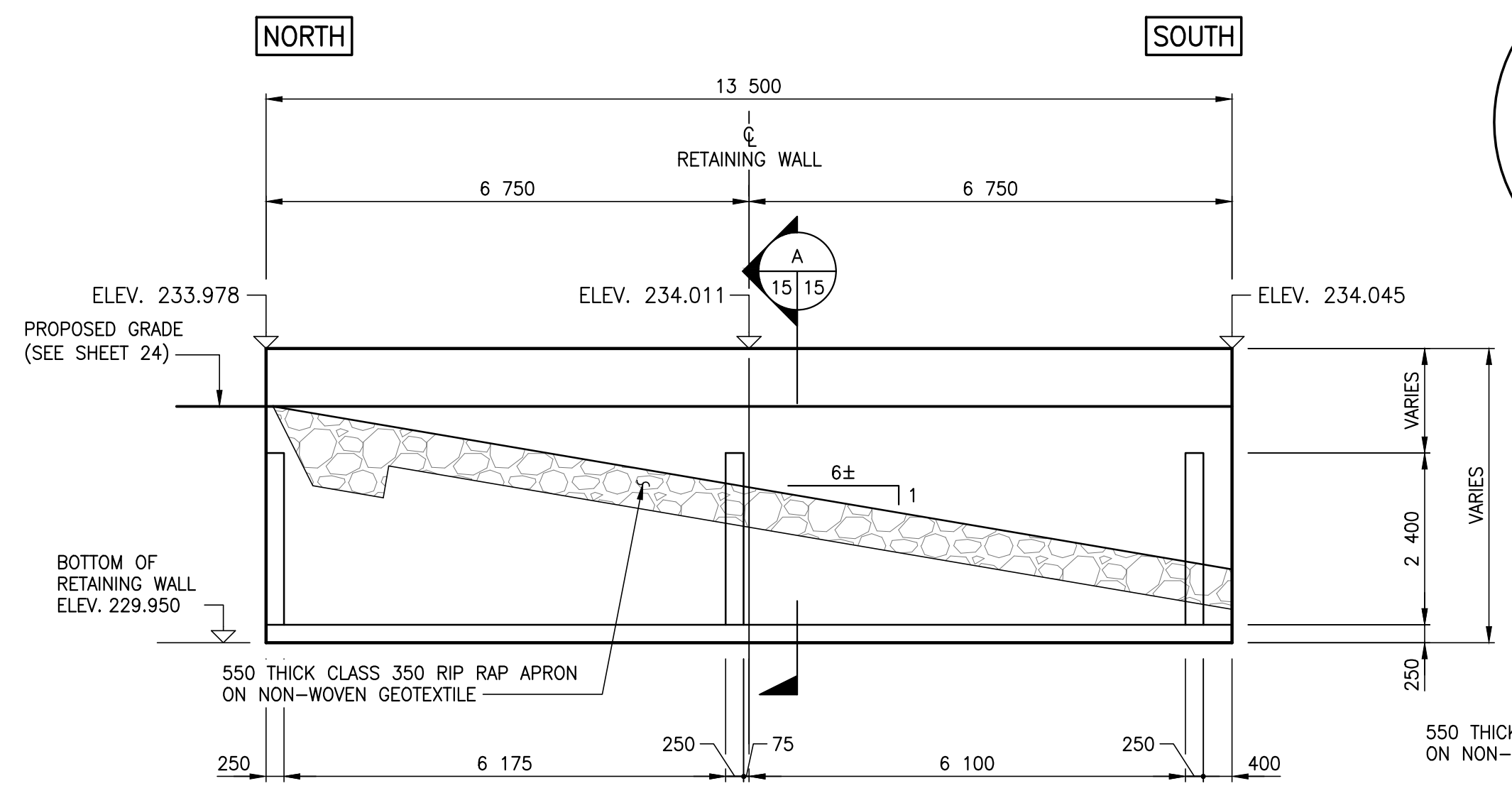
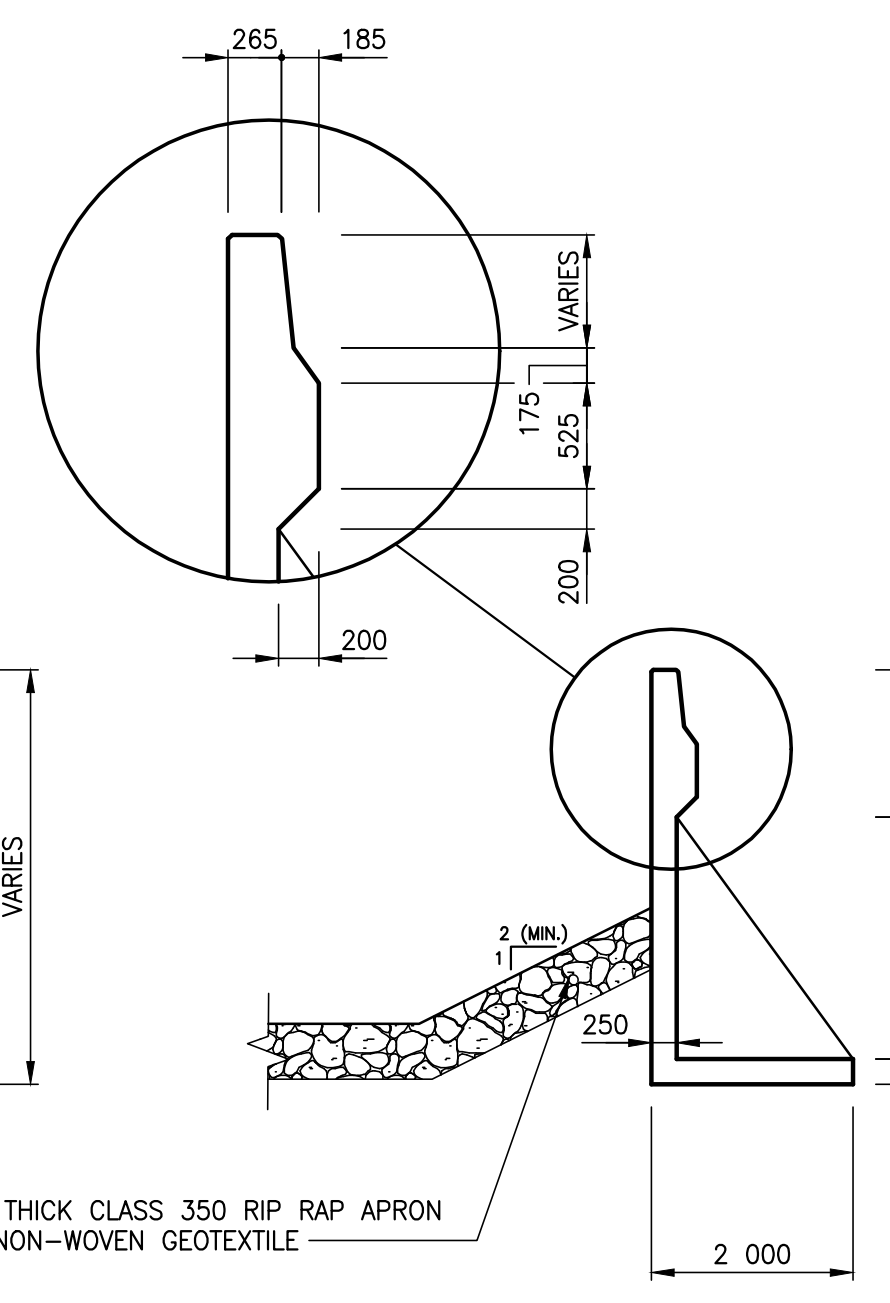


A1 SIZE (594 mm x 841 mm)

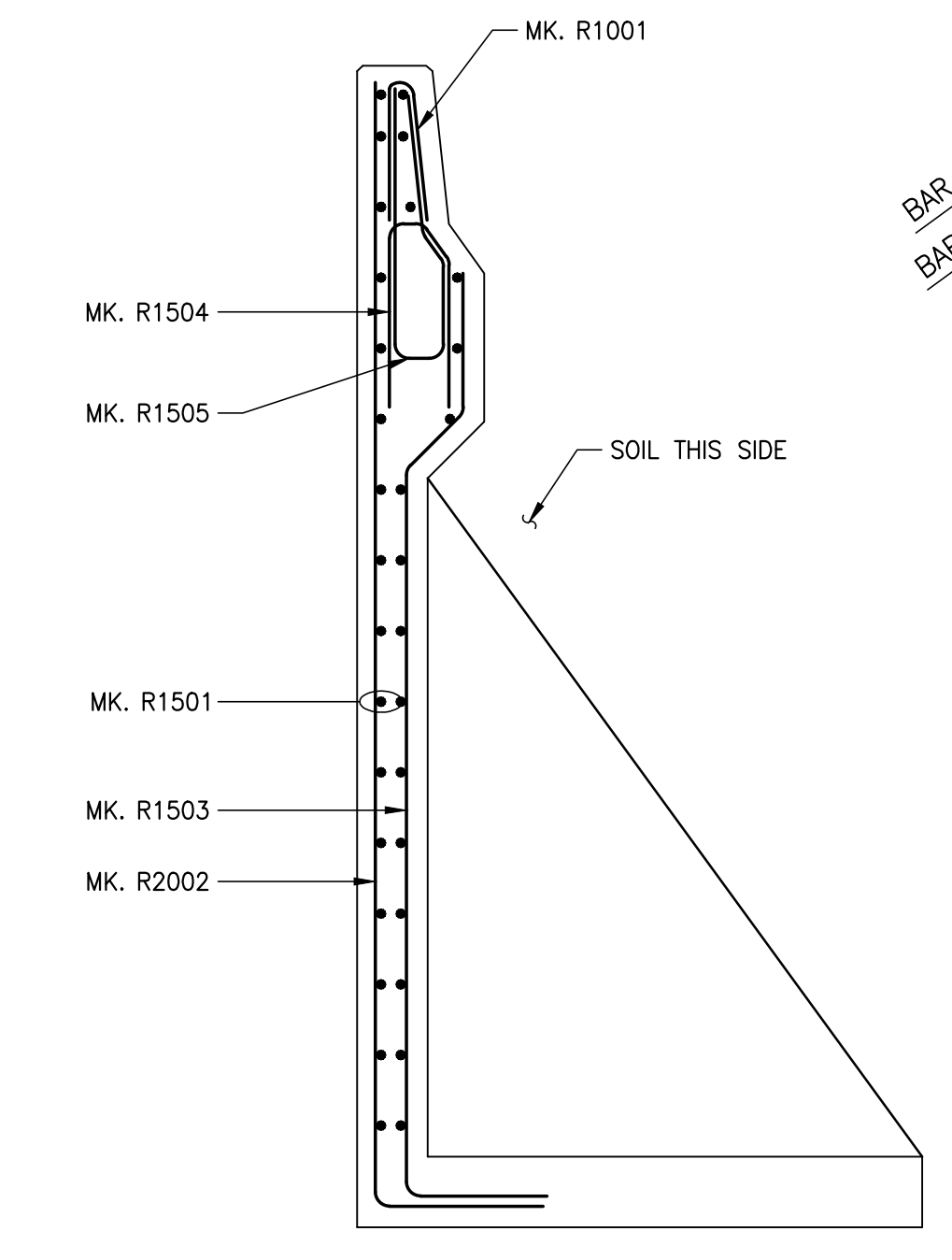
Printed: December 8, 2017 at 12:13:34 PM | Last saved by: Popresenc  
 File: P:\2017\17M-0806-00 - Truro Creek Culvert Replacements\MM Drawings\17M-0806-00 Truro Creek Culvert Replacements DD Winchester 08-15 Retaining Wall Details | Layout: 15 Retaining Wall Details



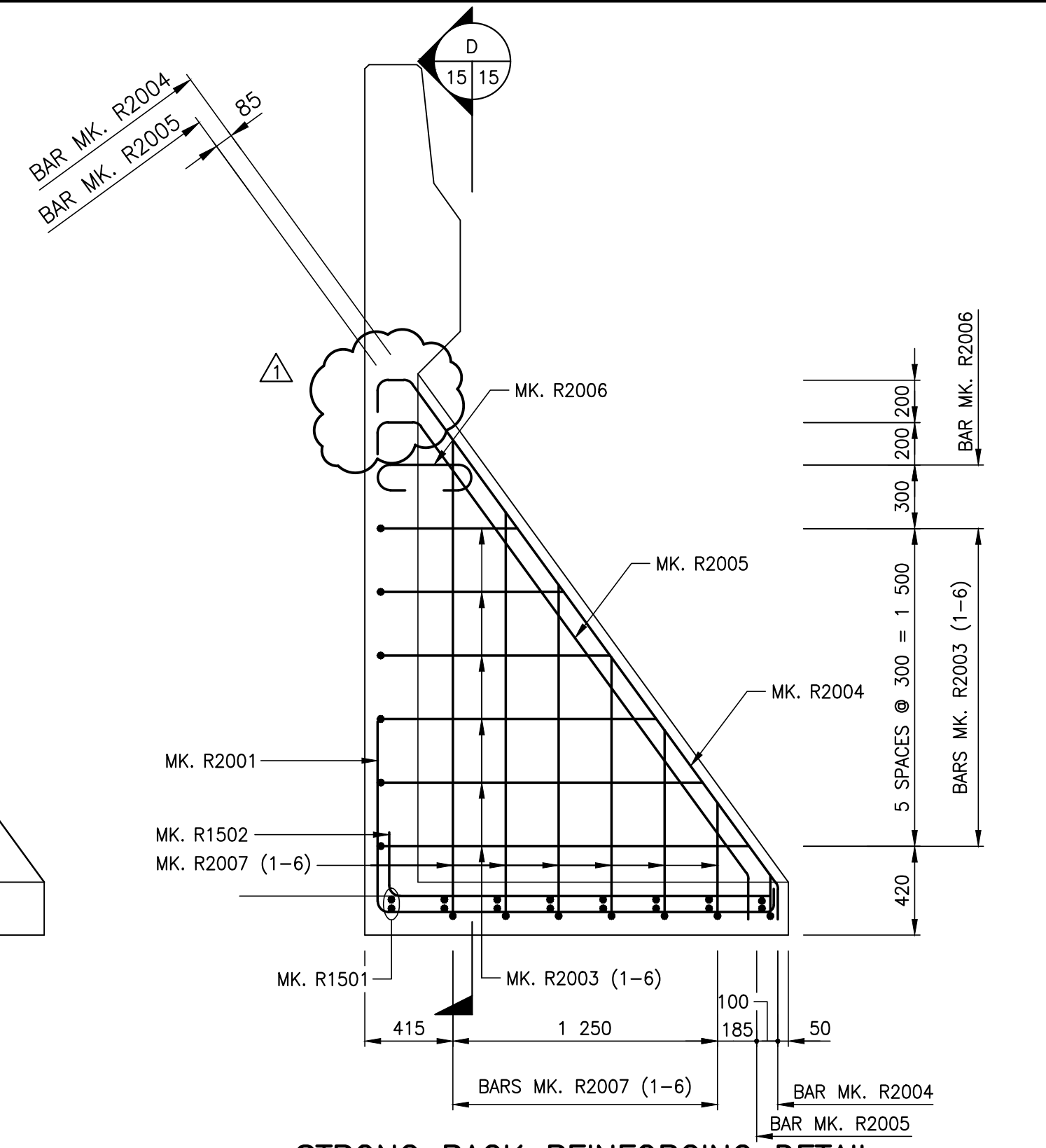
**RETAINING WALL ELEVATION**  
SCALE 1:75



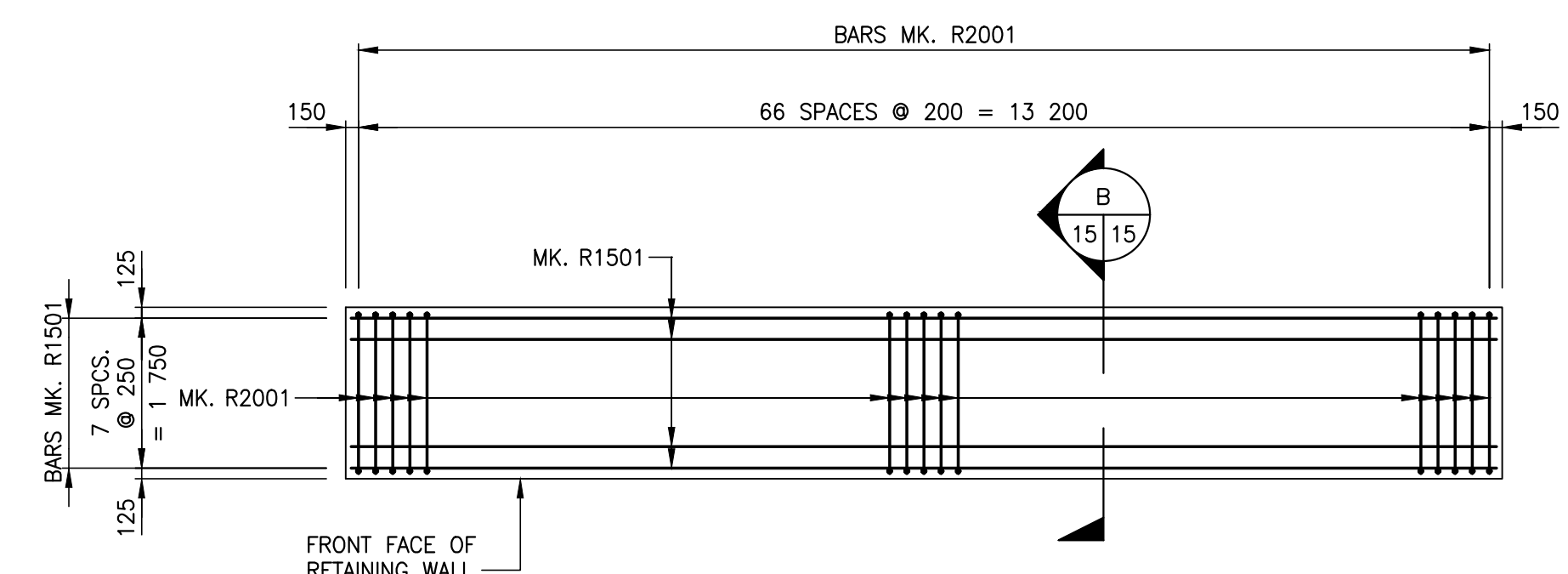
**SECTION A**  
SCALE 1:75



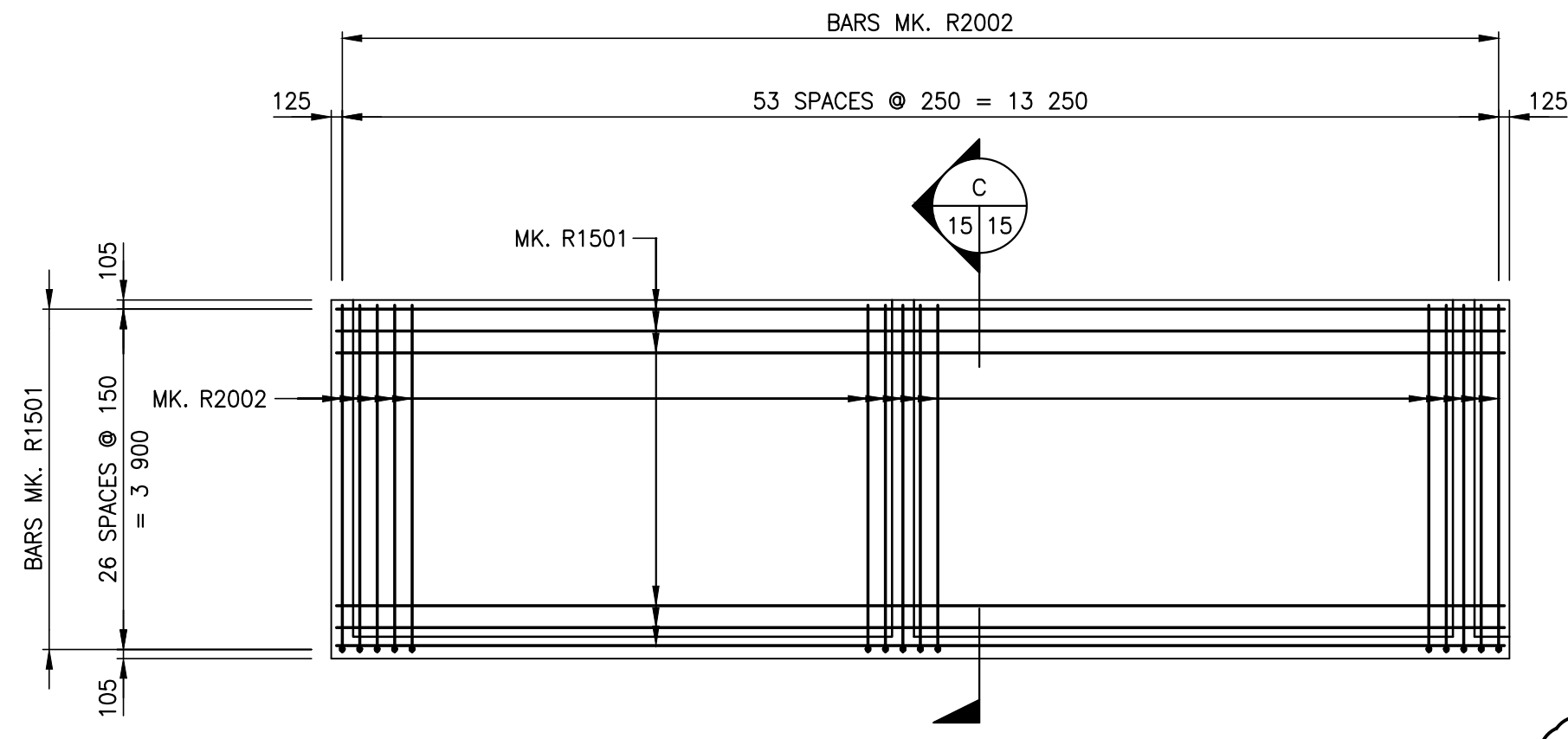
**SECTION C**  
SCALE 1:25



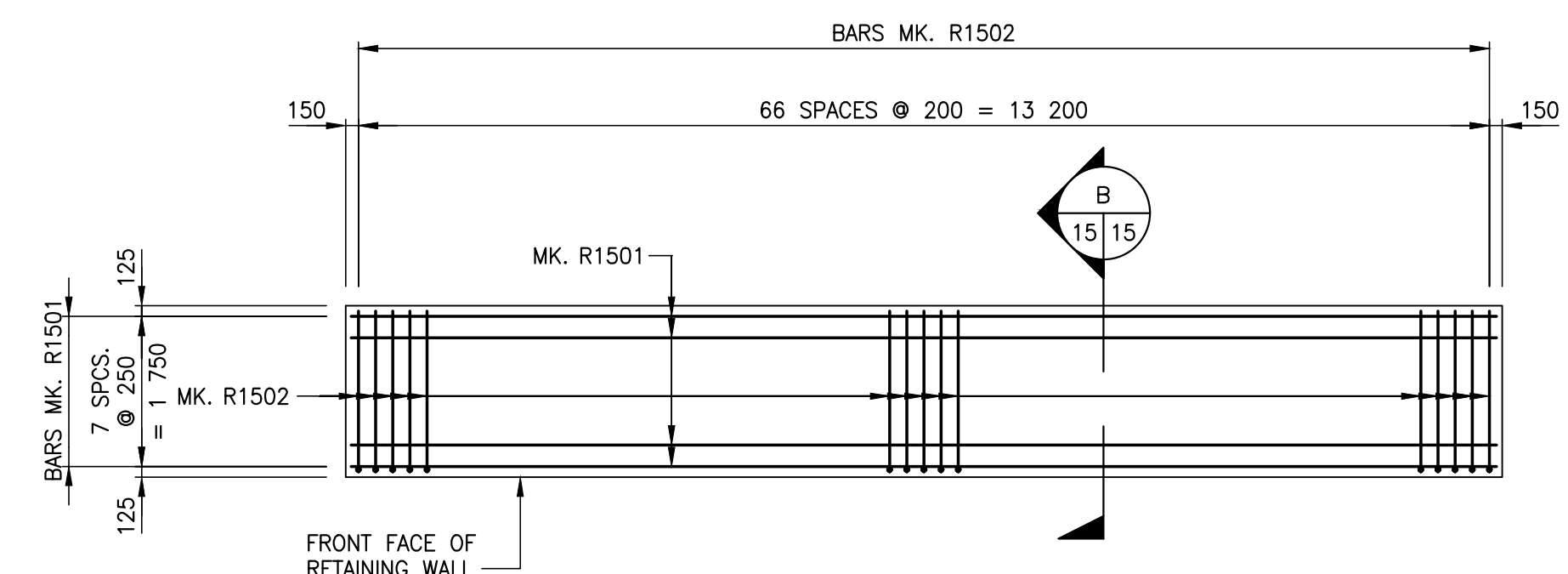
**STRONG BACK REINFORCING DETAIL**  
SCALE 1:25



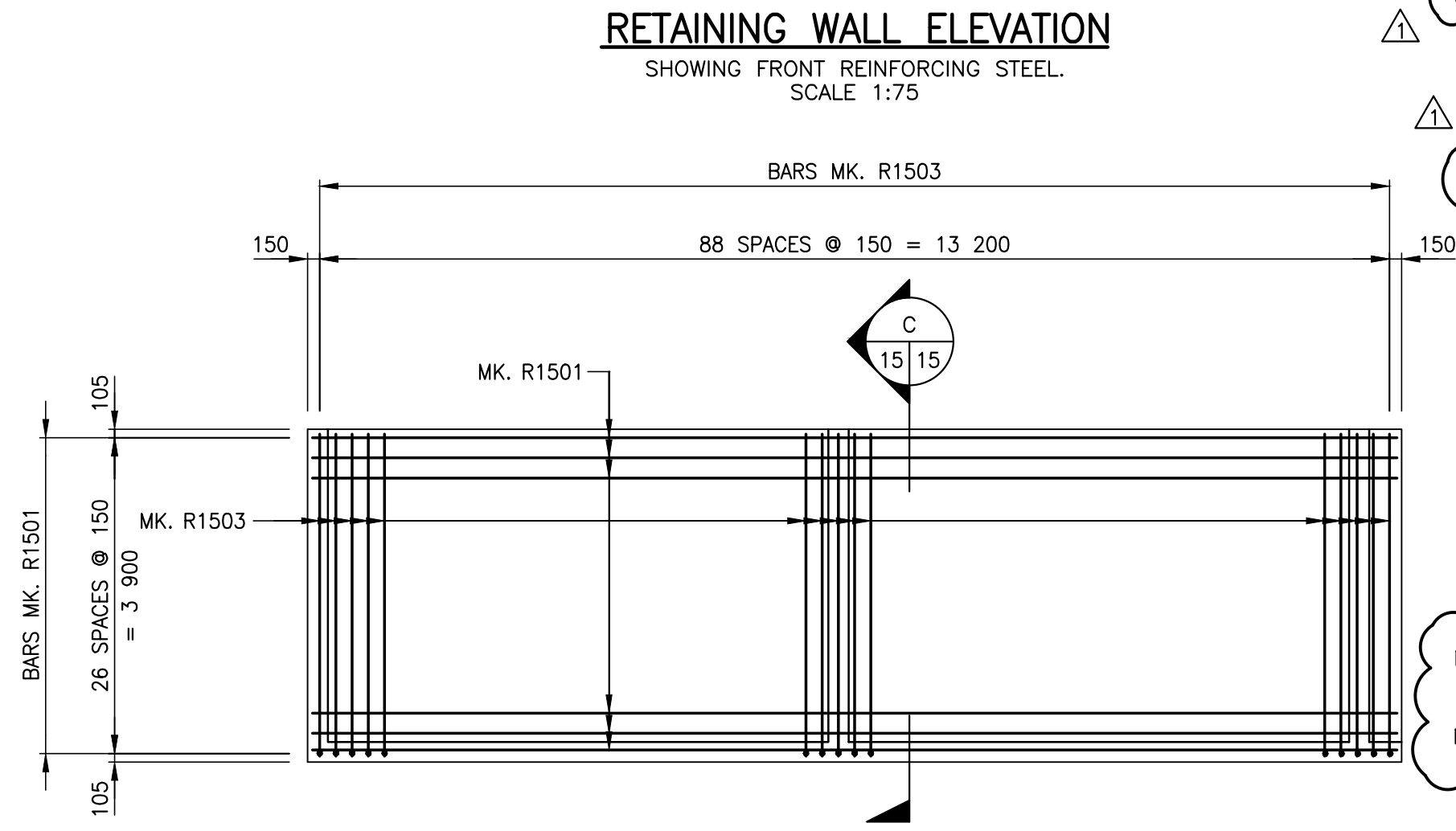
**PLAN OF RETAINING WALL FOOTING**  
SHOWING BOTTOM REINFORCING STEEL  
SCALE 1:75



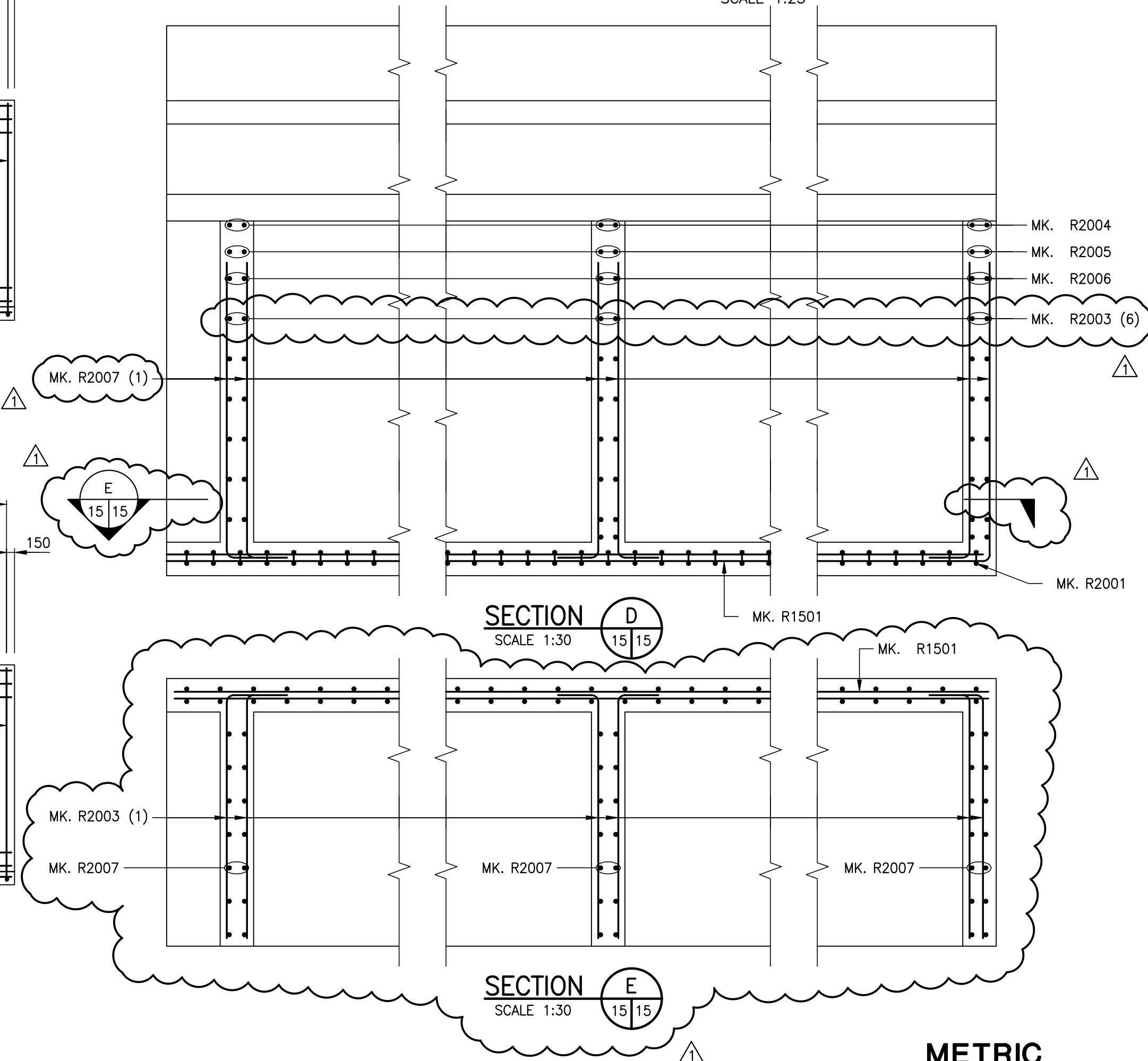
**RETAINING WALL ELEVATION**  
SHOWING FRONT REINFORCING STEEL.  
SCALE 1:75



**PLAN OF RETAINING WALL FOOTING**  
SHOWING TOP REINFORCING STEEL  
SCALE 1:75

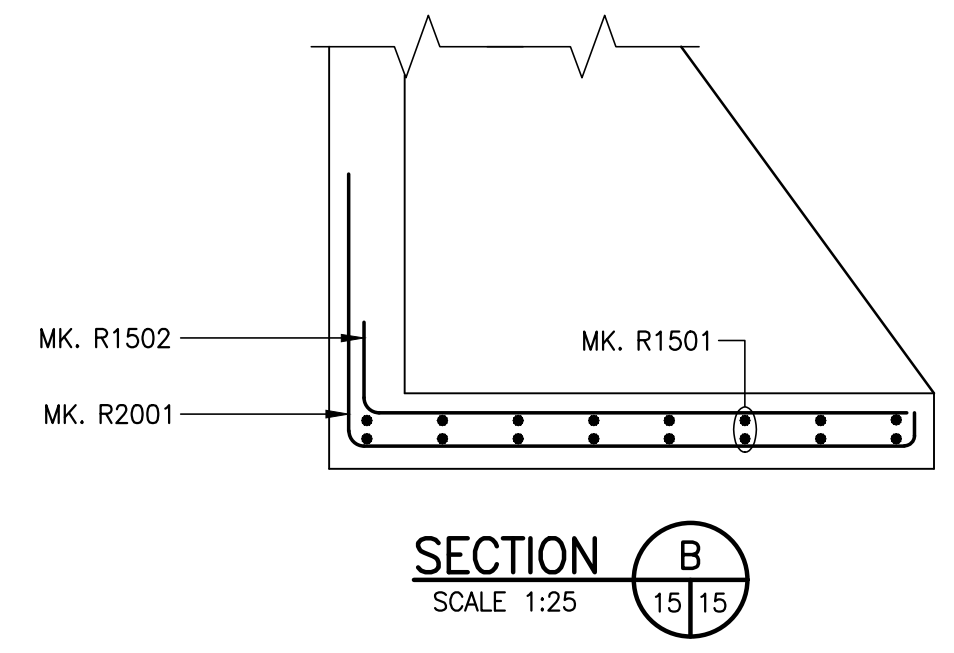


**RETAINING WALL ELEVATION**  
SHOWING REAR REINFORCING STEEL.  
SCALE 1:75



**SECTION D**  
SCALE 1:30

**SECTION E**  
SCALE 1:30



**SECTION B**  
SCALE 1:25

**NOTE**

- FOR BILL OF REINFORCING STEEL, SEE SHEET 23.

LOCATIONS APPROVED UNDERGROUND STRUCTURES		G.B.M. = TOP NUT OF FIRST HYDRANT SOUTH OF INTERSECTION BETWEEN NESS AVENUE AND LINWOOD STREET ELEV. = 233.659	
SIGNED BY:	DATE:	DESIGNED BY:	AG
SUPV. U/G STRUCTURES		CHECKED BY:	MLW
		DRAWN BY:	FD
		APPROVED BY:	JL
LOCATION OF UNDERGROUND STRUCTURES AS SHOWN ARE BASED ON THE BEST INFORMATION AVAILABLE BUT NO GUARANTEE IS GIVEN THAT ALL EXISTING UTILITIES ARE SHOWN OR THAT THE GIVEN LOCATIONS ARE EXACT CONFIRMATION OF EXISTANCE AND EXACT LOCATION OF ALL SERVICES MUST BE OBTAINED FROM THE INDIVIDUAL UTILITIES BEFORE PROCEEDING		HOR. SCALE:	AS NOTED
		VERTICAL:	AS NOTED
		RELEASED FOR CONSTRUCTION:	
No.	REVISIONS	DATE	BY
		17.12.08	JL
		17.11.23	JL
		17.11.23	

**wsp**

WSP Canada Group Limited  
93 Lombard Avenue, Suite 111  
Winnipeg MB R3B 3B1  
T+ 1 204-943-3178  
F+ 1 204-943-4948  
www.wsp.com

DESIGNED BY: AG  
CHECKED BY: MLW  
DRAWN BY: FD  
APPROVED BY: JL

HOR. SCALE: AS NOTED  
VERTICAL: AS NOTED

RELEASED FOR CONSTRUCTION

DATE: 17.11.23

ENGINEER'S SEAL

PROVINCE OF MANITOBA

Member 37456

REGISTERED PROFESSIONAL ENGINEER

CONSULTANT PROJECT No. 17M-0806-00

**THE CITY OF WINNIPEG**  
PUBLIC WORKS DEPARTMENT  
ENGINEERING DIVISION

Winnipeg

TRURO CREEK CULVERT REPLACEMENT AT WINCHESTER STREET

RETAINING WALL DETAILS

CITY DRAWING NUMBER: C322-17-15  
BID OPPORTUNITY NUMBER: 1014-2017  
SHEET OF: 15 OF 25  
REV 0

**ENGINEERS GEOSCIENTISTS MANITOBA**  
Certificate of Authorization  
WSP Canada Group Limited  
No. 6657

NOTE: These design documents are prepared solely for the use by the party with whom the design professional has entered into a contract and there are no representations of any kind made by the design professional to any party with whom the design professional has not entered into a contract.