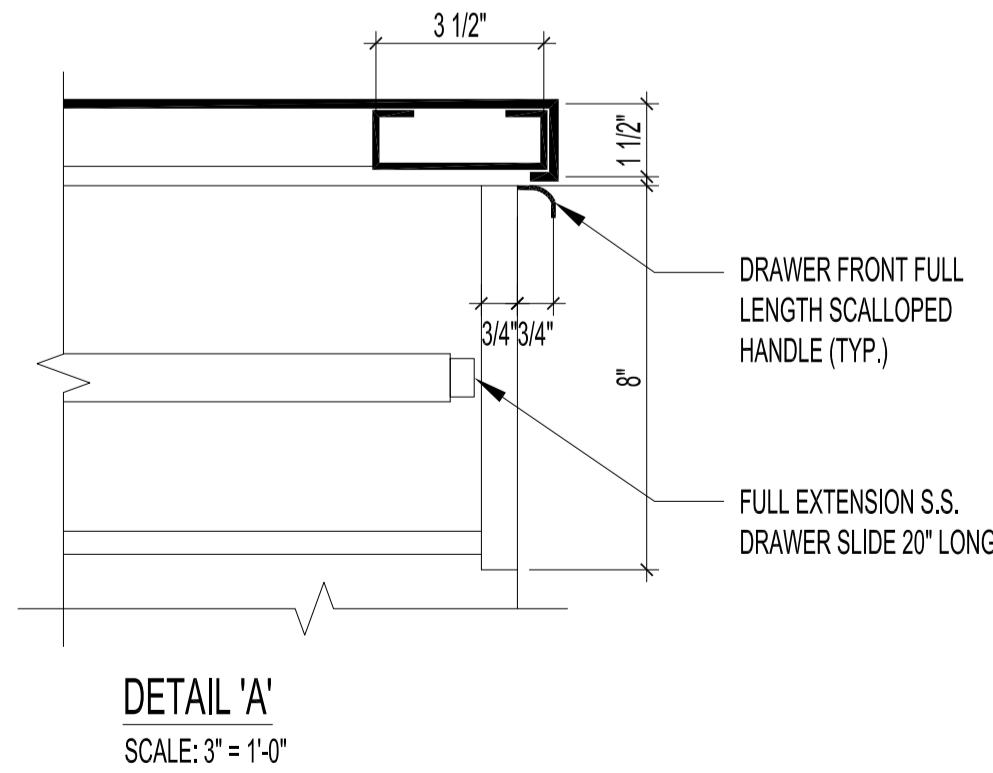
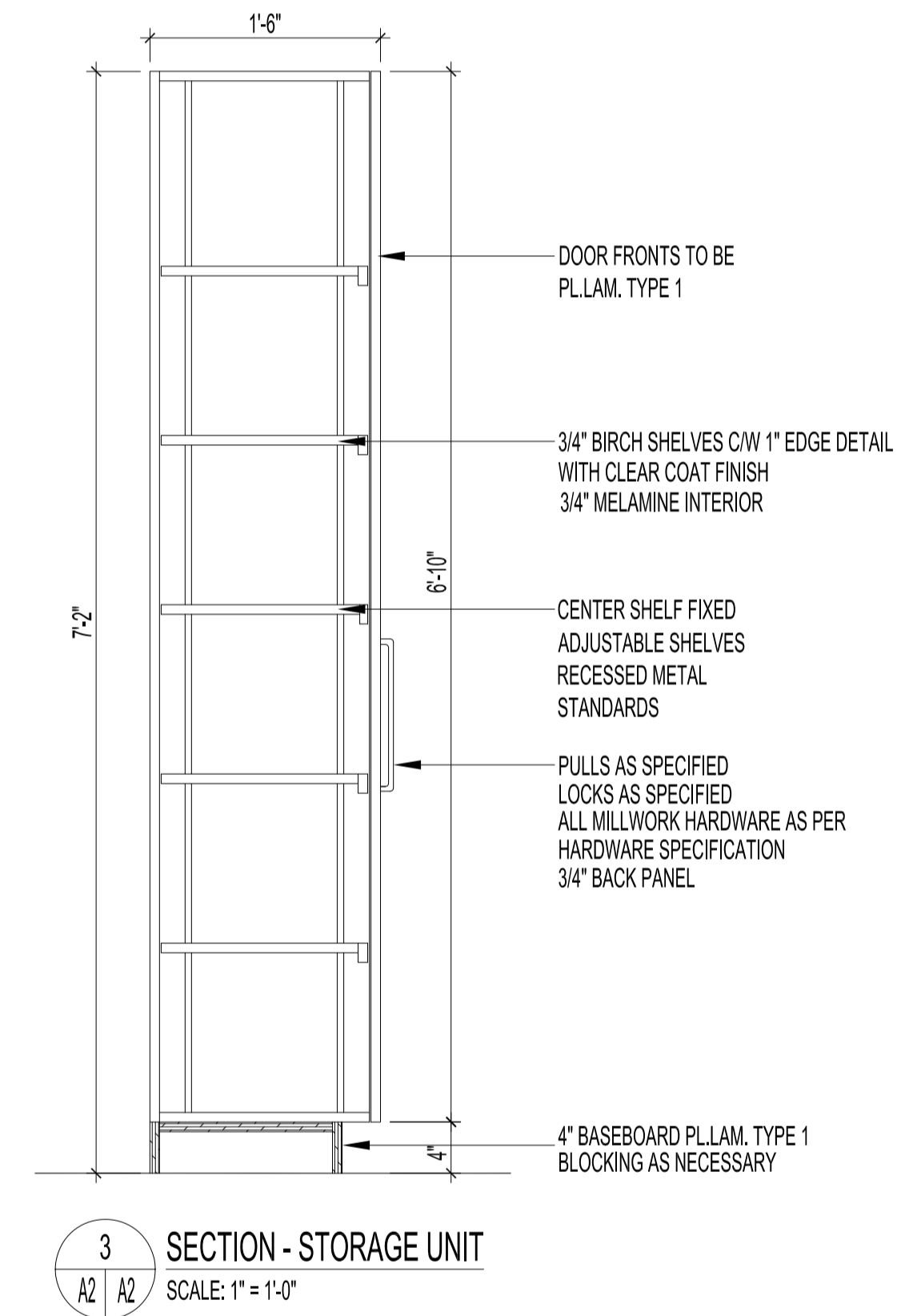
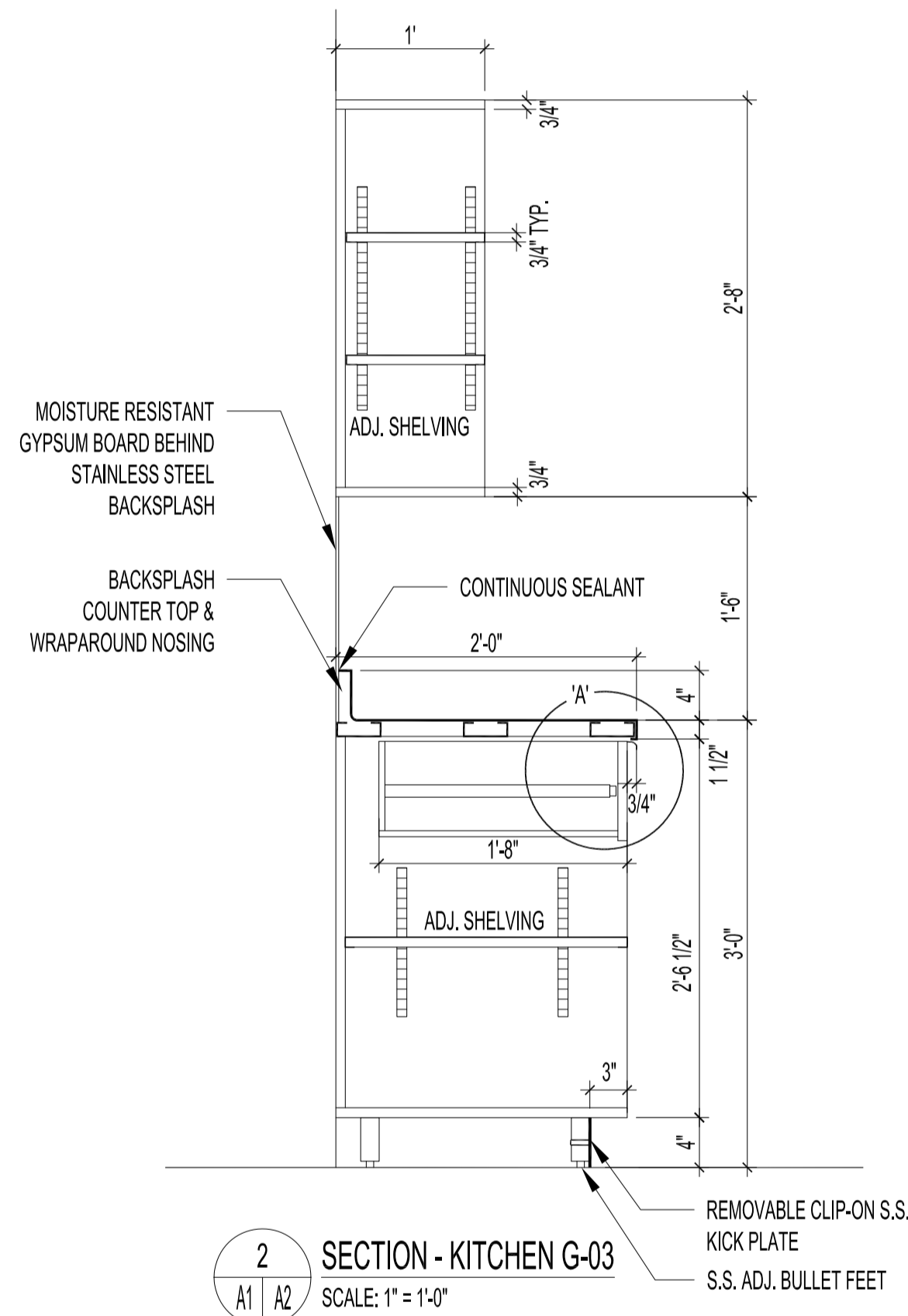
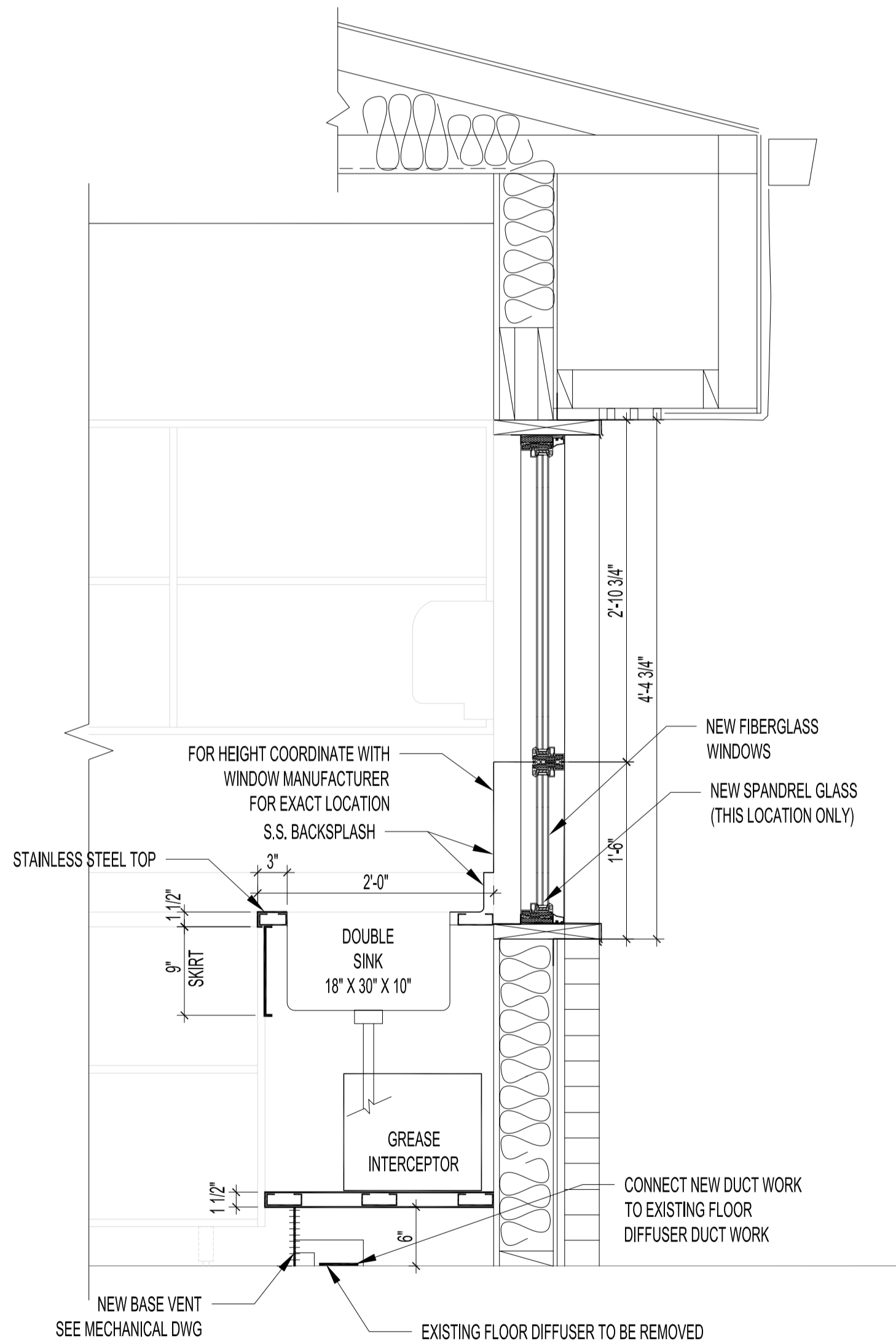
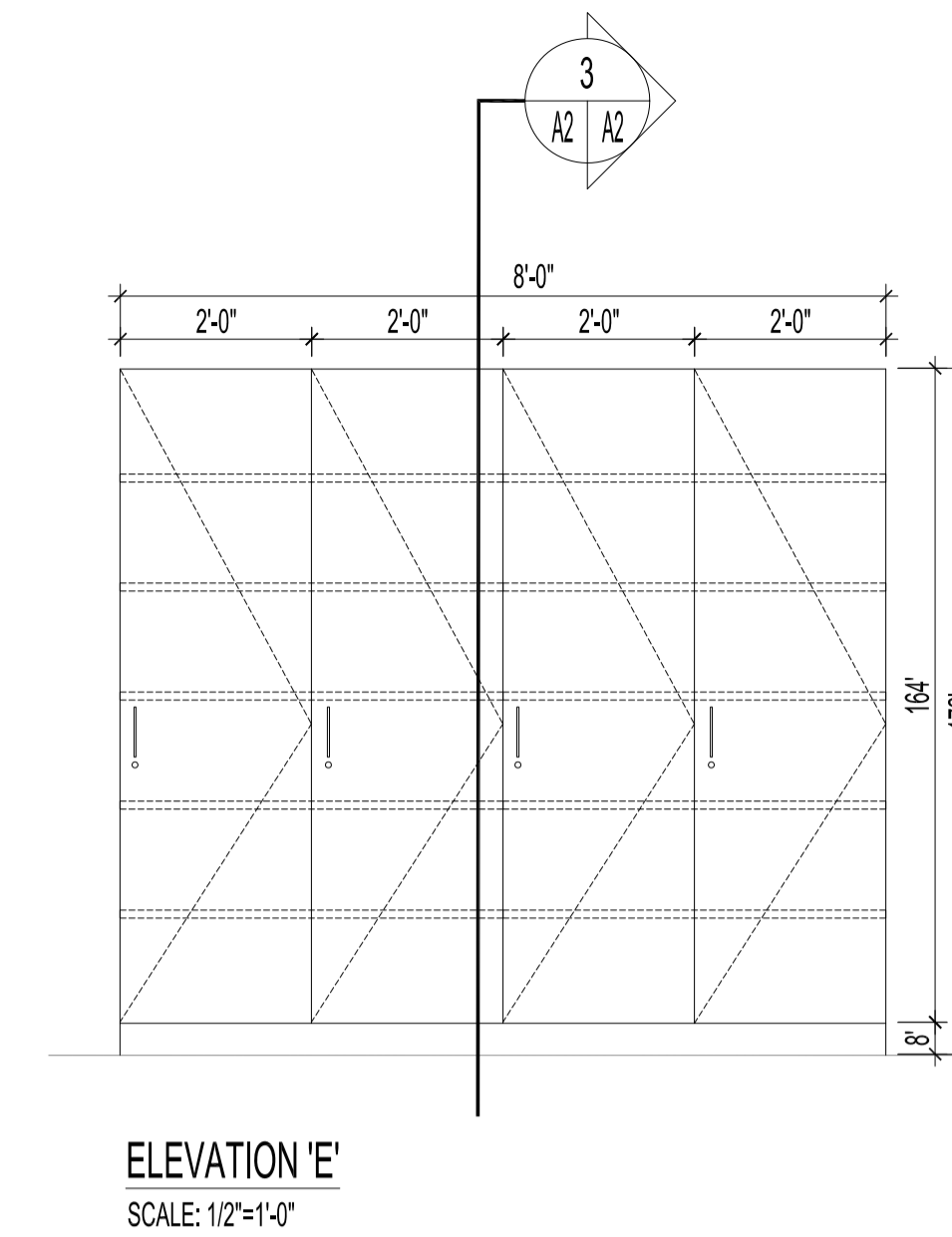
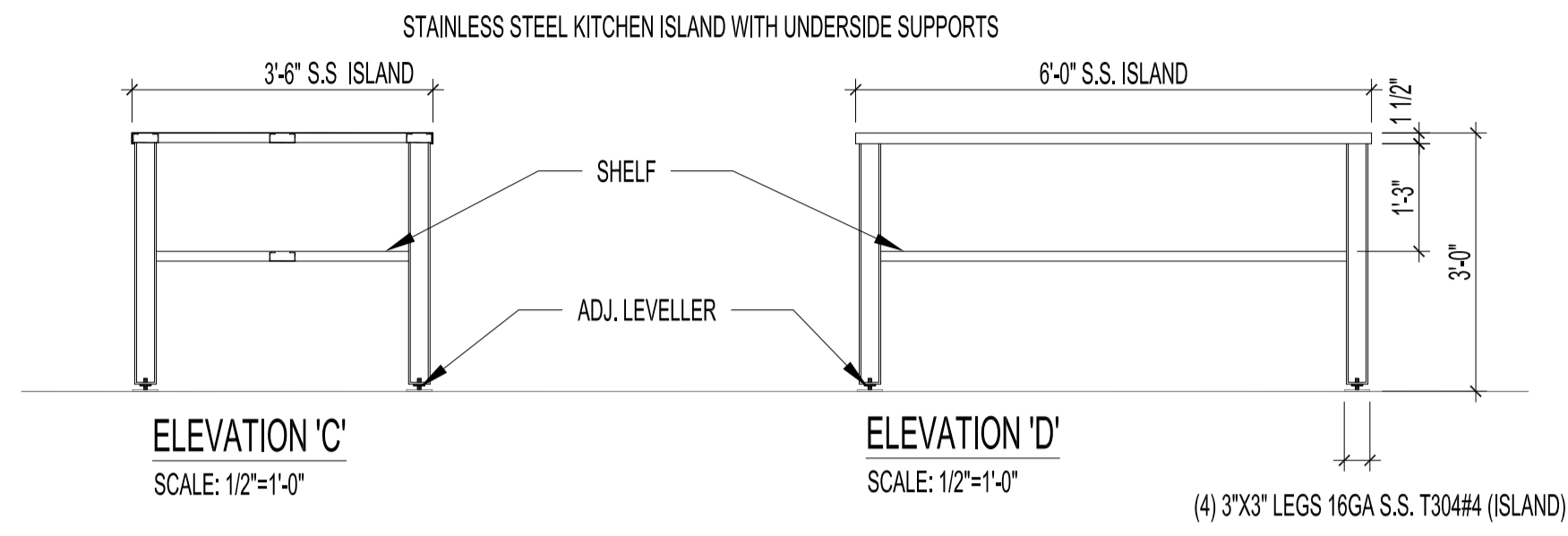


NOTES:



PULLS
HAFELE
MODEL: 117.05.630
SIZE: 274 MM
STAINLESS STEEL

K & V PILASTER ZINC

LOCKS HAFELE CYLINDER MODULE SYSTEM
VERTICAL INSTALLATION DOOR LOCK MODEL: 235.08.358 P 516

P. LAM TYPE 1-PLASTIC LAMINATE
WILSONART
ASIAN NIGHT, 7949K-18
LINEARITY FINISH

0	ISSUE FOR CONSTRUCTION	JKR/DTA	2017.11.15
No.	REVISION/DESCRIPTION	BY	DATE



DRAWN	JKR/DTA	CHECKED	DESIGNED	APPROVED
DATE	2017.11.15	USER	APPROVAL	

THE CITY OF WINNIPEG
PLANNING, PROPERTY AND
DEVELOPMENT DEPARTMENT
MUNICIPAL ACCOMMODATIONS DIVISION
3-65 GARRY STREET, R3C 4K4

PROJECT
WINNIPEG FIRE PARAMEDIC SERVICES
FIRE STATION #2
INTERIOR RENOVATIONS
55 WATT STREET
BID OPP: 1013-2017

SHEET TITLE
CABINET, MILLWORK
ELEVATIONS, SECTIONS AND DETAILS

SCALE	PROJECT No:	SHEET No:
AS SHOWN	2016-007	A2