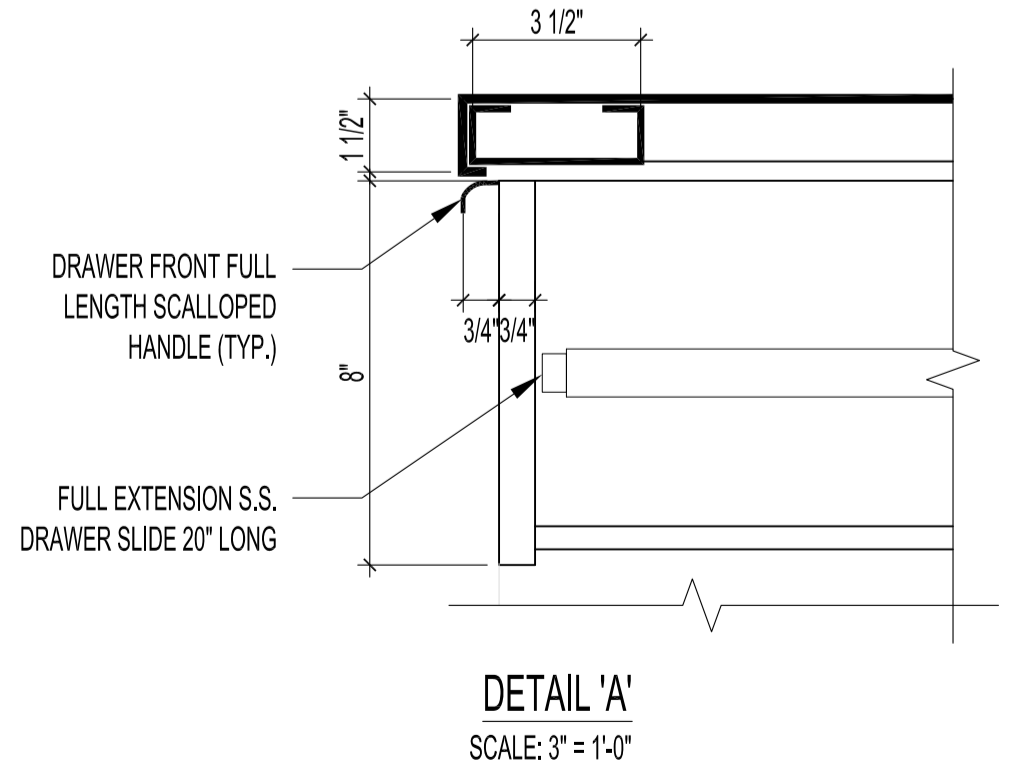


PULLS
HAFELE
MODEL: 117.05.630
SIZE: 274 MM
STAINLESS STEEL

K & V PILASTER ZINC
LOCKS HAFELE CYLINDER MODULE SYSTEM
VERTICAL INSTALLATION DOOR LOCK MODEL: 235.08.358 P 516

P. LAM TYPE 1 - PLASTIC LAMINATE
WILSONART
ASIAN NIGHT, 7949K-18
LINEARITY FINISH



SECTION 09 67 23 RESINOUS FLOORING
PART 1 - GENERAL
1.0 SUMMARY
1. FLOOR TO HAVE A TWO-COMPONENT GENERAL SERVICE 100% SOLIDS EPOXY COATING WITH DECORATIVE BROADCAST MULTI-COLOUR FLAKES (NO TRACTION ADDITIVE), A TWO-COMPONENT 100% SOLIDS CLEAR SEALER TO BE APPLIED AFTERWARDS. DECORATIVE MULTI-COLOUR FLAKES (NO TRACTION ADDITIVE) BROADCAST WITHIN THE EPOXY COATING. STAIRS TO ALSO HAVE MINIMUM 2" WIDE VISUAL CONTRAST ON TOP AND FRONT FACE OF NOSING WITH TEXTURE (TRACTION ADDITIVE).

1.1 SUBMITTALS
1. PRODUCT DATA: SUBMIT MANUFACTURER'S TECHNICAL DATA, INSTALLATION INSTRUCTIONS, AND GENERAL RECOMMENDATIONS FOR EACH RESINOUS FLOORING MATERIAL REQUIRED. INCLUDE CERTIFICATION INDICATING COMPLIANCE OF MATERIALS WITH REQUIREMENTS.
2. SAMPLES: SUBMIT 4-INCH SQUARE SAMPLES OF EACH TYPE OF RESINOUS FLOORING REQUIRED, APPLIED TO A RIGID BACKING, IN COLOUR AND FINISH INDICATED.
1. FOR INITIAL SELECTION OF COLOURS AND FINISHES, SUBMIT MANUFACTURER'S COLOUR CHARTS SHOWING FULL RANGE OF COLOURS AND FINISHES AVAILABLE.

1.2 QUALITY ASSURANCE
1. ECOPOXY OR APPROVED EQUAL IN ACCORDANCE WITH B7.
2. ISO 9002: ALL MATERIALS, INCLUDING PRIMERS, RESINS, CURING AGENTS, FINISH COATS, AGGREGATES AND SEALANT ARE MANUFACTURED AND TESTED UNDER AND ISO 9002 REGISTERED QUALITY SYSTEM.

1.3 DELIVERY, STORAGE, AND HANDLING
1. MATERIAL SHALL BE DELIVERED TO JOB SITE AND CHECKED BY FLOORING CONTRACTOR FOR COMPLETENESS AND SHIPPING DAMAGE PRIOR TO JOB START.
2. ALL MATERIALS USED SHALL BE FACTORY PRE-WEIGHED AND PRE-PACKAGED IN SINGLE, EASY TO MANAGE BATCHES TO ELIMINATE SITE MIXING ERRORS. NO ON SITE WEIGHING OR VOLUMETRIC MEASUREMENTS ALLOWED.
3. MATERIAL SHALL BE STORED IN A DRY, ENCLOSED AREA PROTECTED FROM EXPOSURE TO MOISTURE. TEMPERATURE OF STORAGE AREA SHALL BE MAINTAINED BETWEEN 16 AND 30 DEGREES CELSIUS (60-85F).

1.4 PROJECT CONDITIONS
1. JOB AREA TO BE FREE OF OTHER TRADES AND FOOT TRAFFIC DURING, AND FOR A PERIOD OF 24 HOURS AFTER, FLOOR INSTALLATION.
2. PROTECTION OF FINISHED FLOOR FROM DAMAGE BY SUBSEQUENT TRADES SHALL BE THE RESPONSIBILITY OF THE CONTRACTOR.

1.5 WARRANTY
1. MANUFACTURER SHALL FURNISH A SINGLE, WRITTEN WARRANTY COVERING BOTH MATERIAL AND WORKMANSHIP FOR A PERIOD OF ONE (1) YEAR FROM DATE OF INSTALLATION.

PART 2 - PRODUCTS
2.0 COLOURS
1. COLOURS AS SELECTED BY CONTRACT ADMINISTRATOR FROM MANUFACTURER'S STANDARD COLOURS.

2.1 JOINT SEALANT MATERIALS
1. TYPE PRODUCED BY MANUFACTURER OF RESINOUS FLOORING SYSTEM FOR TYPE OF SERVICE AND JOINT CONDITION INDICATED.

PART 3 - EXECUTION
3.0 PREPARATION
1. REPAIR SURFACE GRIME, CRACKS AND SURFACE DEFECTS PRIOR TO INSTALLATION.
2. CONCRETE PREPARATION SHALL BE BY MECHANICAL MEANS AND INCLUDE USE OF A SCABBLER, SCARIFIER OR SHOT BLAST MACHINE FOR REMOVAL OF BOND INHIBITING MATERIALS SUCH AS CURING COMPOUNDS OR LAITANCE.

3.1 APPLICATION
1. GENERAL: APPLY EACH COMPONENT OF RESINOUS FLOORING SYSTEM IN COMPLIANCE WITH MANUFACTURER'S DIRECTIONS TO PRODUCE A UNIFORM MONOLITHIC WEARING SURFACE OF THICKNESS INDICATED (1/8" MINIMUM), UNINTERRUPTED EXCEPT AT DIVIDER STRIPS, SAWN JOINTS OR OTHER TYPES OF JOINTS (IF ANY), INDICATED OR REQUIRED.
2. PRIMER: MIX AND APPLY PRIMER OVER PROPERLY PREPARED SUBSTRATE WITH STRICT ADHERENCE TO MANUFACTURER'S INSTALLATION PROCEDURES AND COVERAGE RATES. COORDINATE TIMING OF PRIMER APPLICATION WITH APPLICATION OF SELF-LEVELING TROWEL OR ROLL-ON SYSTEM TO ENSURE OPTIMUM ADHESION BETWEEN RESINOUS FLOORING MATERIALS AND SUBSTRATE.
3. COATING: REMOVE ALL SURFACE GRIME AND IMPERFECTIONS BY LIGHTLY ABRADING AND VACUUMING THE FLOOR SURFACE. MIX, SQUEEGEE APPLY AND BACK ROLL COATING WITH STRICT ADHERENCE TO MANUFACTURER'S INSTALLATION PROCEDURES AND COVERAGE RATES.

3.2 FIELD QUALITY CONTROL
1. THE RIGHT IS RESERVED TO INVOKE THE FOLLOWING MATERIAL TESTING PROCEDURE AT ANY TIME, AND ANY NUMBER OF TIMES DURING THE PERIOD OF FLOORING APPLICATION.
2. THE CITY MAY ENGAGE THE SERVICE OF AN INDEPENDENT TESTING LABORATORY TO SAMPLE MATERIALS BEING USED ON THE JOB SITE. SAMPLES OF MATERIAL WILL BE TAKEN, IDENTIFIED AND SEALED, AND CERTIFIED IN PRESENCE OF CONTRACTOR.
3. TESTING LABORATORY WILL PERFORM TESTS FOR ANY OF CHARACTERISTICS SPECIFIED, USING APPLICABLE TESTING PROCEDURES REFERENCED HEREIN, OR IF NONE REFERENCED, IN MANUFACTURER'S PRODUCT DATA.
4. IF TEST RESULTS SHOW MATERIALS BEING USED DO NOT COMPLY WITH SPECIFIED REQUIREMENTS, CONTRACTOR MAY BE DIRECTED BY CONTRACT ADMINISTRATOR TO STOP WORK; REMOVE NON-COMPLYING MATERIALS, PAY FOR TESTING, REAPPLY FLOORING MATERIALS TO PROPERLY PREPARED SURFACES WHICH HAD PREVIOUSLY BEEN COATED WITH UNACCEPTABLE MATERIALS.

3.3 CURING, PROTECTION, AND CLEANING
1. CURE RESINOUS FLOORING MATERIALS IN COMPLIANCE WITH MANUFACTURER'S DIRECTIONS, TAKING CARE TO PREVENT CONTAMINATION DURING STAGES OF APPLICATION AND PRIOR TO COMPLETION OF CURING PROCESS. CLOSE AREA OF APPLICATION FOR A MINIMUM OF 24 HOURS.
2. PROTECT RESINOUS FLOORING MATERIALS FROM DAMAGE AND WEAR DURING CONSTRUCTION OPERATION, WHERE TEMPORARY COVERING IS REQUIRED FOR THIS PURPOSE, COMPLY WITH MANUFACTURER'S RECOMMENDATIONS FOR PROTECTIVE MATERIALS AND METHOD OF APPLICATION. CONTRACTOR IS RESPONSIBLE FOR PROTECTION AND CLEANING OF SURFACES AFTER FINAL COATS.
3. CLEANING: REMOVE TEMPORARY COVERING AND CLEAN RESINOUS FLOORING JUST PRIOR TO FINAL INSPECTION. USE CLEANING MATERIALS AND PROCEDURES RECOMMENDED BY RESINOUS FLOORING MANUFACTURER.

SPECIFICATIONS:
S.S. - STAINLESS STEEL
SUBMIT SHOP DRAWINGS FOR APPROVAL

PLUMBING:
STAINLESS SINKS
• 16GA S.S. T304#4 MINIMUM - ALL COVERED WELDED INTEGRAL INTO COUNTERTOP - WELDS CLEANED AND POLISHED TO BLEND WITH S.S. TOP.
• SEE SIZES ON DRAWING
• 3 1/2" S.S. STRAINER ASSEMBLIES CW 1 1/2" DRAIN

FAUCET
STRAIGHT ARM SPOUT WITH PULL-DOWN SPRAY SPOUT FAUCET: ANCONA LE DUO KITCHEN FAUCET MODEL No. AN-4103

STAINLESS COUNTERTOPS C/W BASE CABINET
• 16GA S.S. T304#4 TOP - 4" BOXED BACK RISER
• COUNTERTOP TO HAVE MARINE EDGE - FRONT & ENDS
• 18GA S.S. BASE AND INTERMEDIATE SHELVES
• INTERMEDIATE SHELVES TO BE ADJUSTABLE WITH STAINLESS PILASTER STRIPS AND CLIPS
• CABINET ENDS AND DIVIDERS TO BE 20GA S.S. T304#4 FINISH
• BACK PANEL - 20GA S.S. T304#4
• REINFORCING 16GA SATINCOAT C - SECTION, DOUBLE - FACE TAPE TO TOP (3 REQ'D)
• 16GA SATINCOAT OR GALVANIZED SUPPORT CHANNELS FOR BASE SHELF
• 1 5/8" OD - 16GA S.S. ORNAMENTAL TUBULAR LEGS
• S.S. ADJ. BULLET FEET
• 16GA S.S. T304#4 REMOVABLE S.S. KICK PLATE - FRONT & ENDS
• 16GA S.S. SKIRTING TO COVER FRONTS OF SINKS

STAINLESS DRAWERS
• DOUBLE PAN CONSTRUCTION - FRONT - 16GA S.S. T304#4
• 1" INSULATION BETWEEN PANS
• 16GA S.S. T304#4 DRAWER PAN x 8" DEEP FASTENED TO THE BACK PAN OF THE DRAWER FRONT
• STAINLESS DRAWER SLIDES x 20" LONG - FULL EXTENSION WEIGHT CAPACITY 80-100 lbs
• DRAWER HOUSING - 16GA S.S. T304#4
• FASTEN DRAWERS TO UNDERSIDE OF STAINLESS TOP

WALL MOUNTED SHELVES - CABINET STYLE
• 18GA S.S. T304#4 BODY, TOP AND SHELVES
• SHELVES TO BE ADJUSTABLE C/W S.S. PILASTER STRIP AND CLIPS

ISLAND S.S. TABLE
• 14GA S.S. T304#4 TOP
• REINFORCING 16GA SATINCOAT C - SECTION, DOUBLE - FACE TAPE TO TOP (3 REQ'D)
• 3"x3" SQUARE S.S. T304#4 TUBULAR LEGS x 16GA WALL ORNAMENTAL FINISH
• S.S. ADJ. LEVELLERS
• 1" DIA S.S. T304#4 - 16GA WALL ORNAMENTAL CROSS BRACES FRONT, BACK, AND SIDES - 15" DOWN

APPLIANCES
GAS RANGE
CAPITAL
36" WIDE, 4 OPEN BURNERS WITH CENTRE 12" GRILL/ GRIDDLE BURNER
MODEL: MCR364B

VENTILATION CANOPY
VENTAHOOD
48" WIDE (900 CFM)
MODEL: PRXH18-348

DISHWASHER
ASKO DISHWASHERS INC.
24" BUILT-IN - INTEGRATED HANDLE
MODEL: D5436XLS

NOTE:
1. APPROVED SUGGESTED SUPPLIER STAINLESS STEEL FABRICATOR CONTRACTOR - "STAINLESS CONCEPTS INC."
2. APPROVED SUGGESTED SUPPLIER EPOXY FLOOR CONTRACTOR - "BURR BUILDING".
3. APPROVED RESINOUS FLOORING SYSTEM: SIKAFLOOR DECOFLAKE SYSTEM, STONTEC EFC.

NOTES:

2	ISSUE FOR ADDENDUM 2: REVISED RESINOUS FLOOR SPEC: 3.1.1. APPLICATION THICKNESS WAS 1/8" MINIMUM, ADDED NOTE 3. APPROVED RESINOUS FLOOR. SYSTEM.	DTA	2017.12.06
1	ISSUE FOR ADDENDUM 1: REVISED RESINOUS FLOOR SPEC: REMOVED RESINOUS COVE; ADDED TRACTION & NO TRACTION ADDITIVE; ADDED STAR 2: WIDE VISUAL CONTRAST; DELETED 2.1 EPOXY FLOORING; DELETED 3.1.3. TROWELED MORTAR.	JR/DTA	2017.12.04
0	ISSUE FOR CONSTRUCTION	JR/DTA	2017.11.15

No.	REVISION/DESCRIPTION	BY	DATE

SEAL

PROVINCE OF MANITOBA
K. K. FOK
REGISTERED ARCHITECT

DRAWN	CHECKED	DESIGNED	APPROVED
DATE 2017.11.30	USER APPROVAL		

THE CITY OF WINNIPEG
PLANNING, PROPERTY AND DEVELOPMENT DEPARTMENT
MUNICIPAL ACCOMMODATIONS DIVISION
3-65 GARRY STREET, R3C 4K4

PROJECT
WINNIPEG FIRE PARAMEDIC SERVICES
FIRE STATION # 17

1501 CHURCH AVENUE BID OPP: 1013-2017

SHEET TITLE
SECTIONS, DETAILS AND SPECIFICATIONS

SCALE	PROJECT No:	SHEET No:
AS SHOWN	2017-110	A3R2

DRAWING SHEET SIZE: A1 (841mm x 594mm) PLOT 1:1