

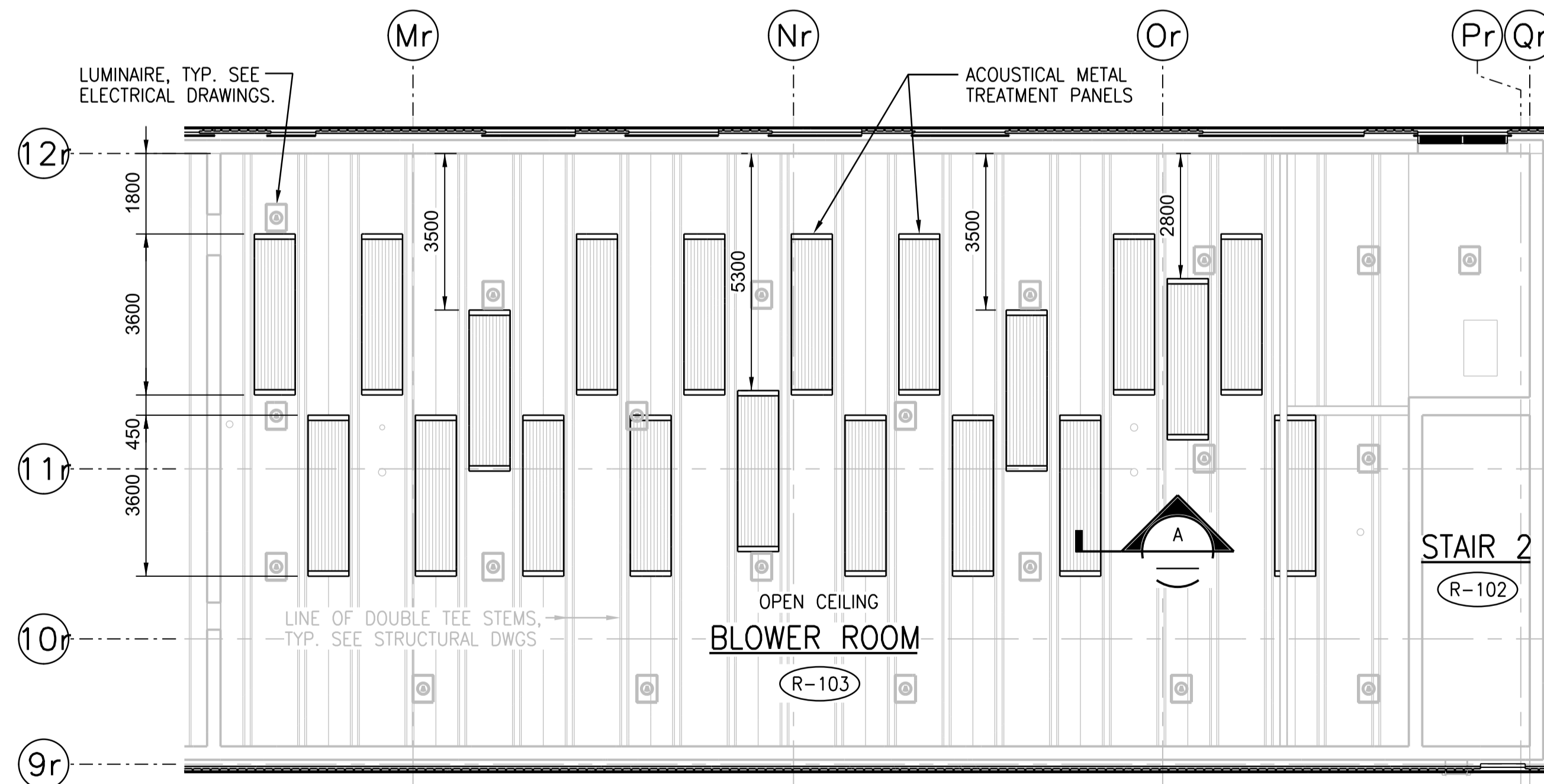
ROOF PLAN

1:100

MODIFIED BITUMEN ROOFING ASSEMBLY TYPE-1A

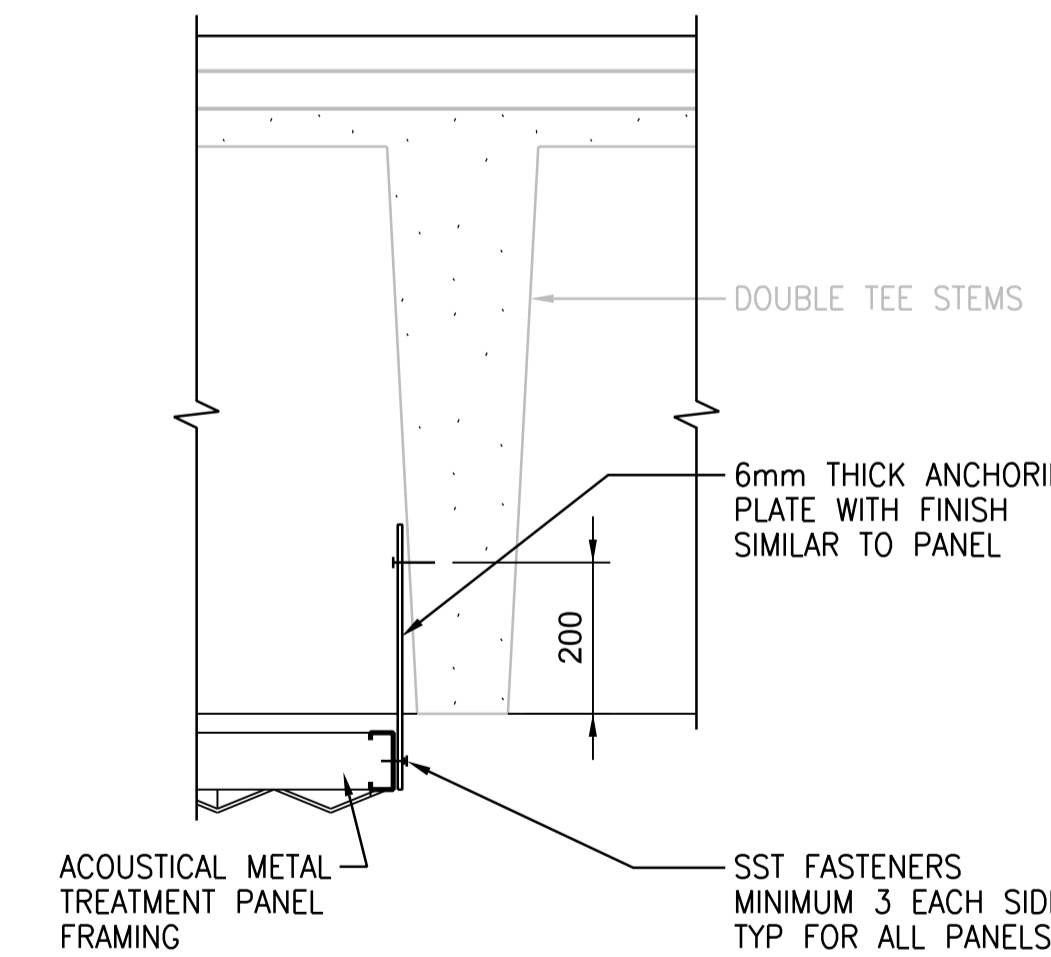
- ROOFING MEMBRANE-CAP SHEET AND BASE SHEET - PROTECTION BOARD
- ROOF INSULATION (150mm OVERALL AVERAGE THICKNESS), CONSISTS OF
 - 100mm THICK FLAT INSULATION
 - TAPERED INSULATION 25MM THICK MIN AT TOE OF DRAIN, 2% SLOPE MIN
- VAPOUR RETARDANT
- PRECAST DOUBLE TEES/ STRUCTURAL CONC SLAB (SEE STRUCT DWGS)

NOTE: REPAIR, REPLACE AND EXISTING-MAKE-GOOD TO CAP SHEET INSTALLED AS VAPOUR RETARDANT. REMOVE RETARDANT AT NEW PARAPET LOCATION AND PREPARE SURFACES FOR PARAPET MASONRY COURSING



BLOWER ROOM REFLECTED CEILING PLAN

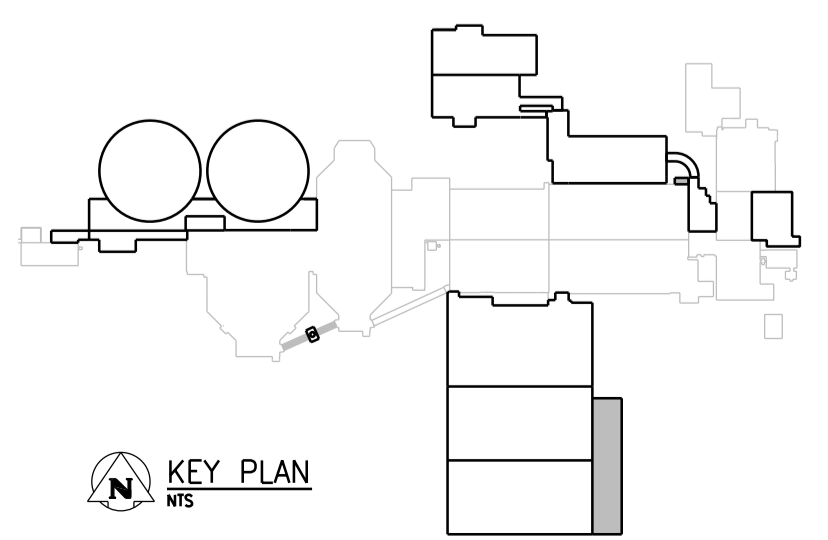
1:100



A TYP SECTION DETAIL
NTS

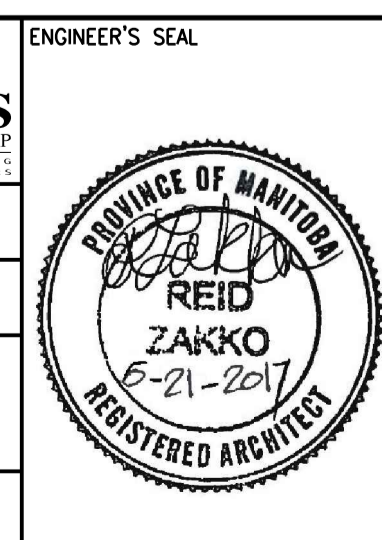
NOTES:

- PIPE PENETRATIONS THROUGH ROOF. SEE DETAIL - 7 - BDTL-A003
- ● FA DENOTES FALL ARREST ANCHOR, SEE DETAIL - 8/9 - BDTL-A003/A004
- RD DENOTES ROOF DRAIN, SEE DETAIL - 9 - BDTL-A003
- DUCT PENETRATIONS THROUGH ROOF, SEE DETAIL - 1 - BDTL-A004



NO.	REVISIONS	DATE	DESIGN	CHECK
01	ISSUED FOR ADDENDUM 3 - 976-2016	2017/06/21	R.B.	J.C.
00	ISSUED FOR CONSTRUCTION - 976-2016	2017/04/05	R.B.	J.C.

CH2MHILL CANADA Architects Inc.	
DESIGNED BY: R. ZAKKO	CHECKED BY: B. KOLIS-HUPA
DRAWN BY: R. BATHAN	APPROVED BY: H.T. FREIHAMMER
SCALE: 1:100	ISSUED FOR CONSTRUCTION BY: J. SHUMKA
DATE: 2017/04/05	DATE: 2017/04/05
CONSULTANT NO.: 474248	



THE CITY OF WINNIPEG
Winnipeg WATER AND WASTE DEPARTMENT

SOUTH END WATER POLLUTION CONTROL CENTRE
SEWPPC UPGRADING/EXPANSION PROJECT
BUILDING
BIOREACTORS/BLOWER BUILDING
ROOF PLAN & BLOWER ROOM CEILING PLAN

CITY DRAWING NUMBER: 1-0102-BGAD-R005
SHEET: 01
REV. SIZE: A1