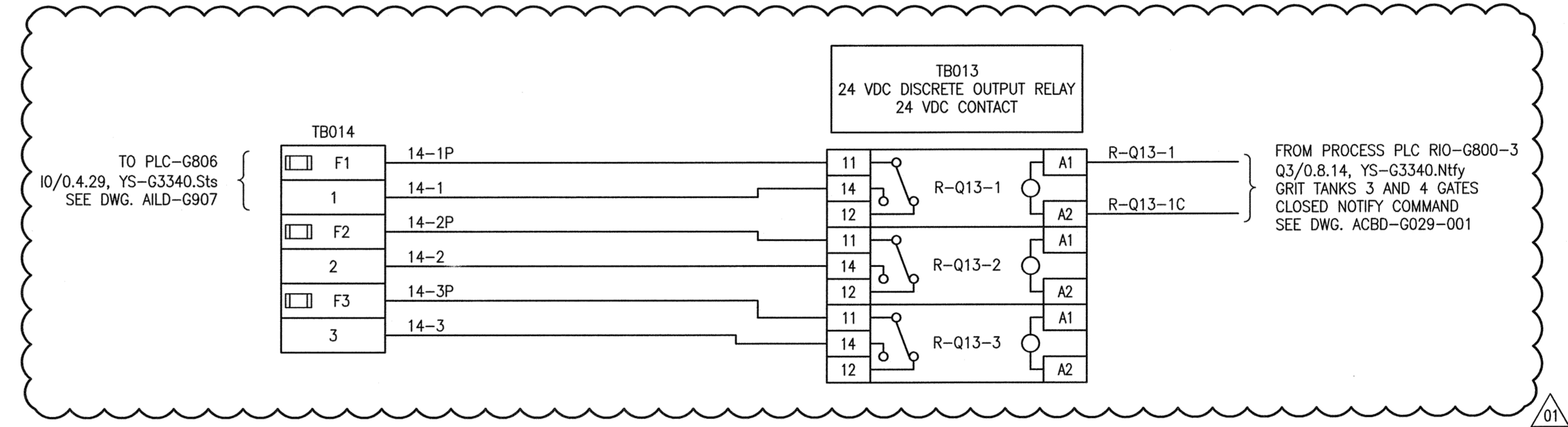


FUSE SCHEDULE			
TB	IDENTIFIER	SIZE	RATING
TB51A	F1A	5x20mm	5A TD
	F1B	5x20mm	5A TD
	F1C	5x20mm	0.2A TD
	F2A	5x20mm	5A TD
	F2B	5x20mm	5A TD
	F2C	5x20mm	0.2A TD
	F3A	5x20mm	5A TD
	F3B	5x20mm	5A TD
TB51B	F3C	5x20mm	0.2A TD
	F4A	5x20mm	5A TD
	F4B	5x20mm	5A TD
	F4C	5x20mm	0.2A TD
	F1L	5x20mm	1A TD
	F2L	5x20mm	1A TD
	F3L	5x20mm	1A TD
	F4L	5x20mm	2A TD
TB014	F5L	5x20mm	2A TD
	F6L	5x20mm	2A TD
	F7L	5x20mm	2A TD
TB014	F8L	5x20mm	2A TD
	F1	5x20mm	0.05A FA
	F2	5x20mm	0.05A FA
	F3	5x20mm	0.05A FA

NOTES:
FA = FAST ACTING
TD = TIME DELAY



REFERENCE DRAWINGS	DESCRIPTION



DESIGNED BY: M. WANG DRAWN BY: M. WANG SCALE: NTS		CHECKED BY: P. CHICATUN APPROVED BY: E. RYCZKOWSKI ISSUED FOR CONSTRUCTION BY: J. SHUMKA DATE: 2017/04/05		DATE: 2016/04/19 CONSULTANT NO.: 474248		SOUTH END WATER POLLUTION CONTROL CENTRE SEWPCC UPGRADING/EXPANSION PROJECT AUTOMATION - WIRING DIAGRAM HEADWORKS AREA CP-G823, RIO-G800-3 - MISCELLANEOUS WIRING		CITY DRAWING NUMBER: 1-0102-ACBD-G032 SHEET: 002 REV.: 01 SIZE: A1	