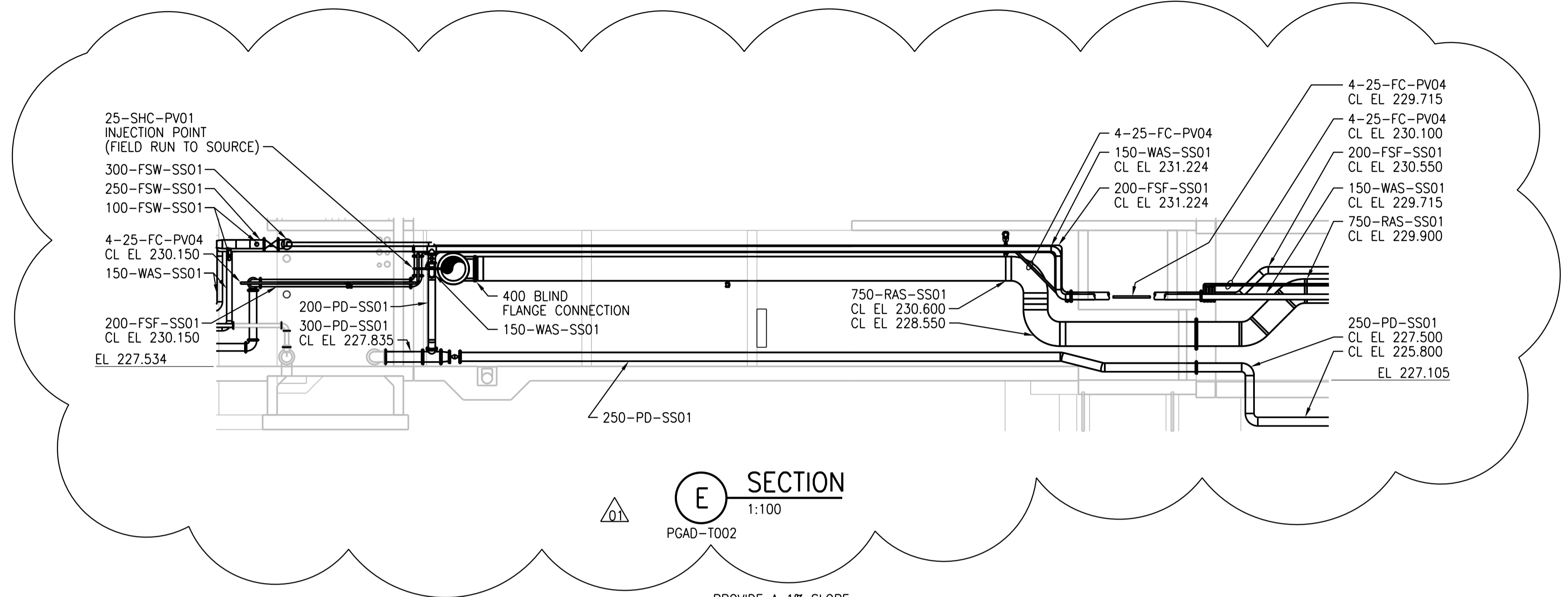
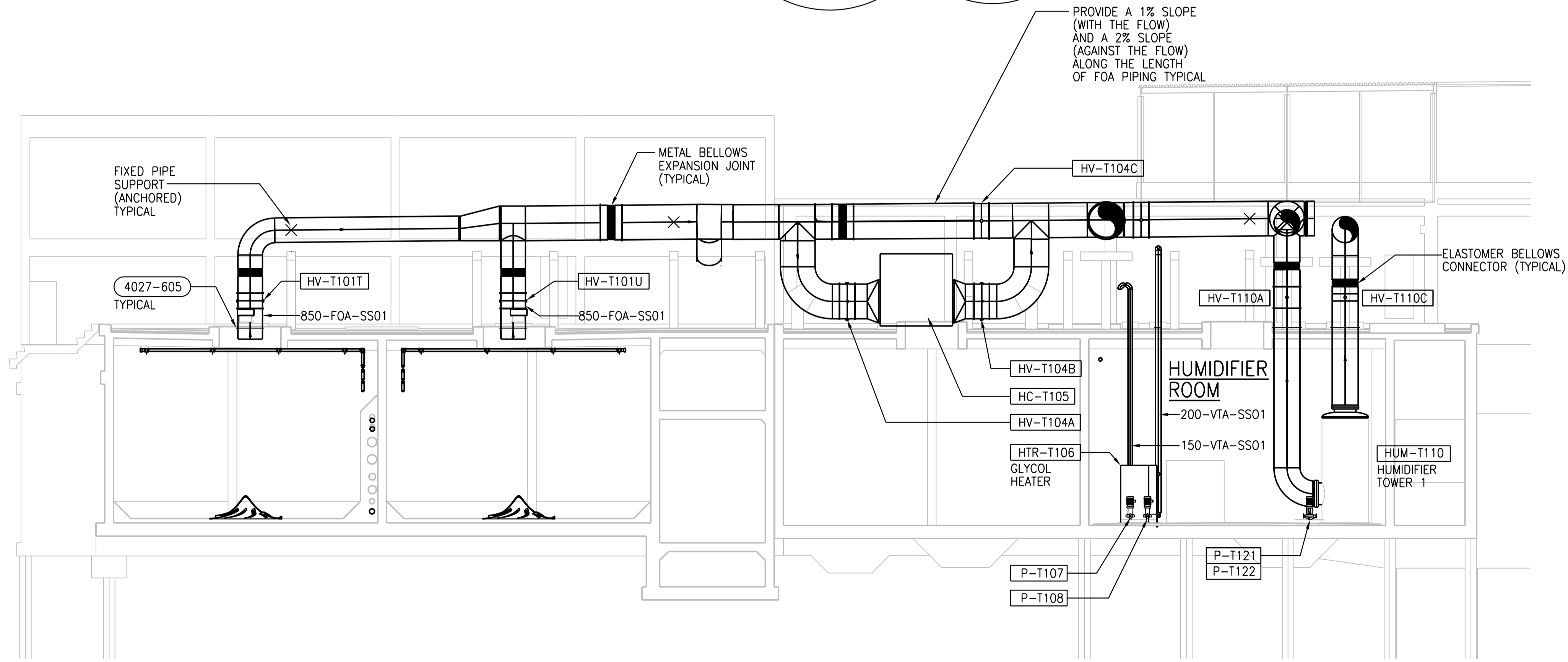


A SECTION
1:100
PGAD-T003



E SECTION
1:100
PGAD-T002



D SECTION
1:100
PGAD-T003

APEGM
Certificate of Authorization
CH2M HILL Canada Ltd.
No. 1441

NO.	REVISIONS	DATE	DESIGN	CHECK
01	ISSUED FOR ADDENDUM 2 - 976-2016	2017/06/09	J.S.	J.C.
00	ISSUED FOR CONSTRUCTION - 976-2016	2017/04/05	S.S.	J.C.

CH2MHILL
SNC-LAVALIN
DESIGNED BY: F ABSI
DRAWN BY: B COOPER
SCALE: 1:100
DATE: 2017/04/05
CONSULTANT NO.: 474248

KGS GROUP
CHECKED BY: B EDGAR
APPROVED BY: H.T. FRIEHAMMER
ISSUED FOR CONSTRUCTION BY: J. SHUMKA
DATE: 2017/04/05

ENGINEER'S SEAL
2017.09.2017
F. J. ABSI
Member
36875
REGISTERED PROFESSIONAL ENGINEER

THE CITY OF WINNIPEG
WATER AND WASTE DEPARTMENT
SOUTH END WATER POLLUTION CONTROL CENTER
SEWPPCC UPGRADING/EXPANSION PROJECT
PROCESS
BIOFILTERS
SECTION A, D AND E
CITY DRAWING NUMBER: 1-0102-PGAD-T004
SHEET: 001
REV: 01
SIZE: A1