

**WASHROOM DRAWING NOTES**

- ALL DIMENSIONED & NOTED WASHROOM ACCESSORIES & FIXTURES ARE TYPICAL FOR ALL WASHROOM ELEVATIONS UNLESS NOTED OTHERWISE.
- ALL ACCESSORIES, PLUMBING FIXTURES IN BARRIER FREE WASHROOMS TO BE INSTALLED TO THE LATEST MANITOBA BUILDING CODE STANDARDS FOR BARRIER-FREE ACCESS & THE 2015 CITY OF WINNIPEG ACCESSIBILITY DESIGN STANDARDS.
- PROVIDE WOOD BLOCKING SUPPORTS FOR ALL WASHROOM ACCESSORIES IN NEW & EXISTING WALLS.

**BOBRICK WASHROOM ACCESSORIES**

- WC GRAB BARS - SERIES B-6806 x 914 (SIDE WALL HORIZONTAL) (2 REQ'D.)
- WC GRAB BARS - SERIES B-6806 x 760 (SIDE WALL VERTICAL) (2 REQ'D.)
- WC GRAB BARS - SERIES B-6806 x 610 (CENTERED ABOVE TANK) (2 REQ'D.)
- CLASSIC SERIES SOAP DISPENSER B-40 (2 REQ'D.)
- TOILET TISSUE DISPENSER B-4288 (2 REQ'D.)
- SANITARY NAPKIN DISPOSAL B-270 (2 REQ'D.)
- COLLAPSIBLE CLOTHES HOOK B-981 (2 REQ'D.)
- PAPER TOWEL DISPENSER - KIMBERLEY CLARK BATTERY OPERATED PROFESSIONAL (2 REQ'D.)
- LAVATORY MIRROR B-165 2436, 610 x 910 (2 REQ'D.)
- FOLD DOWN BENCH - ACCESSABLE DESIGN INC. CUSTOM SIZE TO BE 2'-6" DEEP x 6'-0" LONG.
- JANITORS MOP HOLDER - 8223 x 915
- FLOOR STANDING LARGE CAPACITY RECEPTABLE - B-2400

**SIGNAGE**

- WASHROOM SIGNAGE
- PROVIDE BARRIER-FREE SIGN FOR 2 WASHROOMS.
- SIGNS TO BE 7" x 7" BLACK TACTILE & BRAILLE ON BRUSHED ALUMINUM FINISH ENGRAVING STOCK. REQUIREMENTS ARE TO FOLLOW CITY OF WINNIPEG UNIVERSAL DESIGN GUIDELINES.

**NOTES:**

THESE DRAWINGS SHALL NOT BE SCALED. CONSULT WITH CONTRACT ADMINISTRATOR ON ANY CONCERNS.

SUBMISSION OF SITE MARK-UPS, AS-BUILTS, OPERATING & MAINTENANCE MANUALS AND OTHER SUPPORTING DOCUMENTS TO CONTRACT ADMINISTRATOR ARE MANDATORY AT THE COMPLETION OF THIS PROJECT.

THE CONTRACTOR SHALL VISIT THE SITE AND SATISFY ONESELF ALL DIMENSIONS, DATUM, AND DETAILED INFORMATION SHOWN ARE CORRECT.

THE CONTRACTOR IS TO REVIEW AND COORDINATE ALL ARCHITECTURAL, STRUCTURAL, MECHANICAL AND ELECTRICAL DRAWINGS FOR ADDITIONAL OPENINGS THROUGH FLOORS, WALLS AND CEILINGS FOR DUCTS, PIPES & ELECTRICAL RISERS AND ALL OPENINGS NOT SHOWN ON DRAWINGS.

ALL OPENINGS THROUGH FIRE ASSEMBLIES INCLUDING FLOORS AND CEILINGS ARE TO BE FIRE STOPPED AND SEALED WITH ULC APPROVED FIRE STOPPING TO MAINTAIN THE INTEGRITY OF THE FIRE SEPARATION, AND PROVIDE A SMOKE-TIGHT BARRIER.

ALL PRODUCTS AND MATERIALS TO BE USED AND INSTALLED SHALL CONFORM WITH MANUFACTURER'S SPECIFICATIONS, APPLICABLE CODES AND AUTHORITY HAVING JURISDICTION.

THE CONTRACTOR SHALL BE RESPONSIBLE TO PATCH AND MAKE GOOD ALL EXISTING CONSTRUCTION AFFECTED BY THE REMOVAL OF ALL ITEMS FORMING PART OF THE RENOVATION WORK.

WHERE NEW FLOORING AND BASE IS TO BE INSTALLED IN EXISTING AREAS (REFER TO FLOOR PLAN AND ROOM SCHEDULE) THE EXISTING FLOORING SURFACE AND BASE MUST BE REMOVED, UNLESS OTHERWISE NOTED. ALL FLOOR SURFACES SHALL BE PREPARED IN ACCORDANCE TO MANUFACTURER'S RECOMMENDATIONS FOR INSTALLATION OF NEW FLOOR.

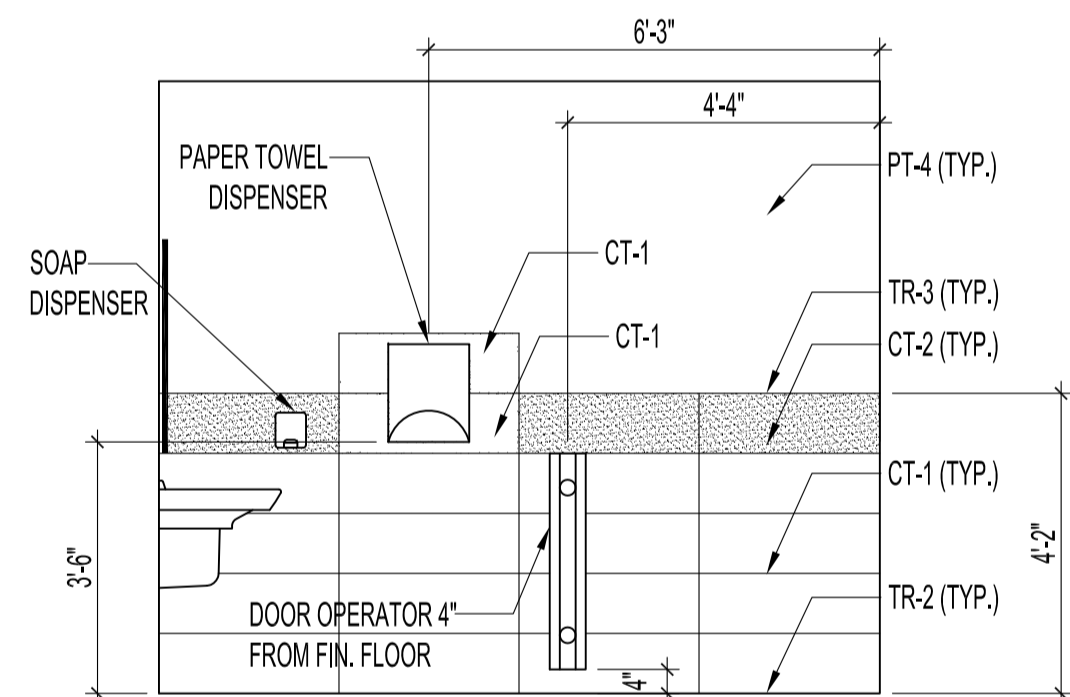
WHERE PAINTING OF EXISTING WALLS IS INDICATED ON THE ROOM SCHEDULE, THESE WALLS MUST BE CLEANED OF ANY EXISTING WALL COVERING, PATCHED & PREPARED TO ACCEPT NEW MATERIAL, UNLESS OTHERWISE NOTED.

ALL NEW LIGHTING FIXTURES & NEW RECEPTACLES TO BE CONNECTED TO APPROPRIATE PANELS.

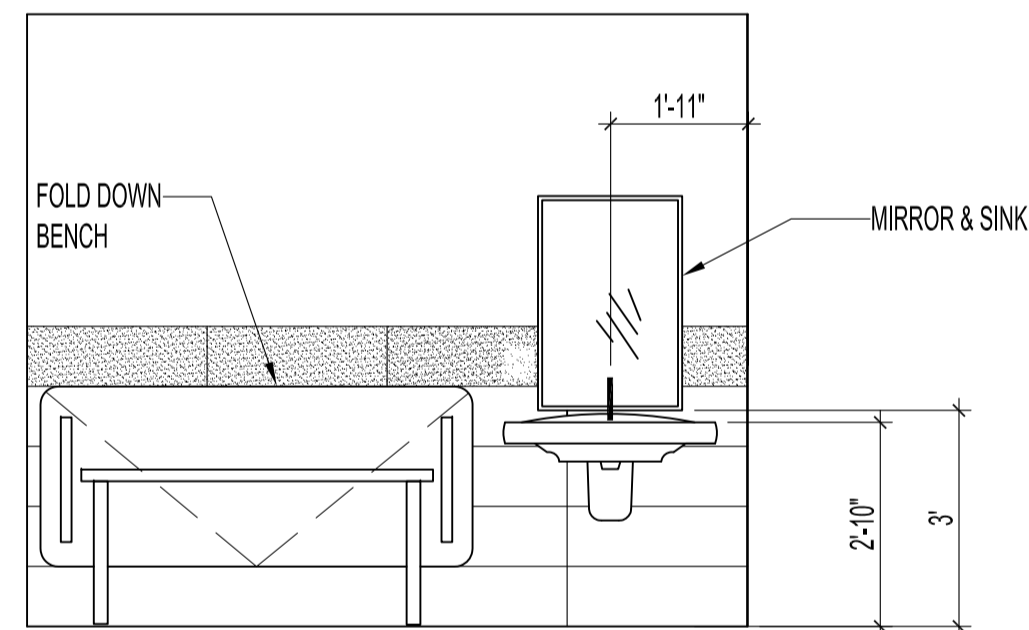
THERMOSTATS, FIRE ALARM PULL STATIONS & OCCUPANCY LIGHT SWITCHES SHALL BE MOUNTED 47" ABOVE FINISHED FLOOR UNLESS OTHERWISE NOTED.

ALL ABANDONED ELECTRICAL FIXTURES, COMPONENTS, RECEPTACLE & DATA WIRING SHALL BE REMOVED BACK TO SOURCE & TERMINATED AS PER APPLICABLE CODES. IF APPLICABLE, THIS INCLUDES WIRING CONTAINED IN HEADER DUCTS IN-FLOOR.

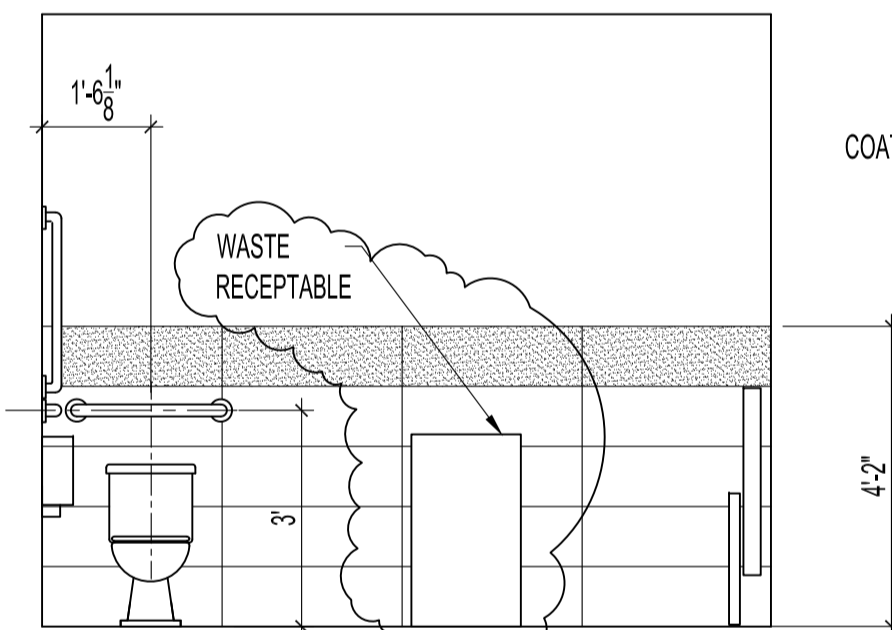
REFER TO CITY OF WINNIPEG MATERIALS MANAGEMENT GENERAL TERMS & CONDITIONS FOR PROJECT: [HTTP://WINNIPEG.CA/MATMGNGEN\\_COND.STM](http://winipeg.ca/matmgngen_cond.stm)



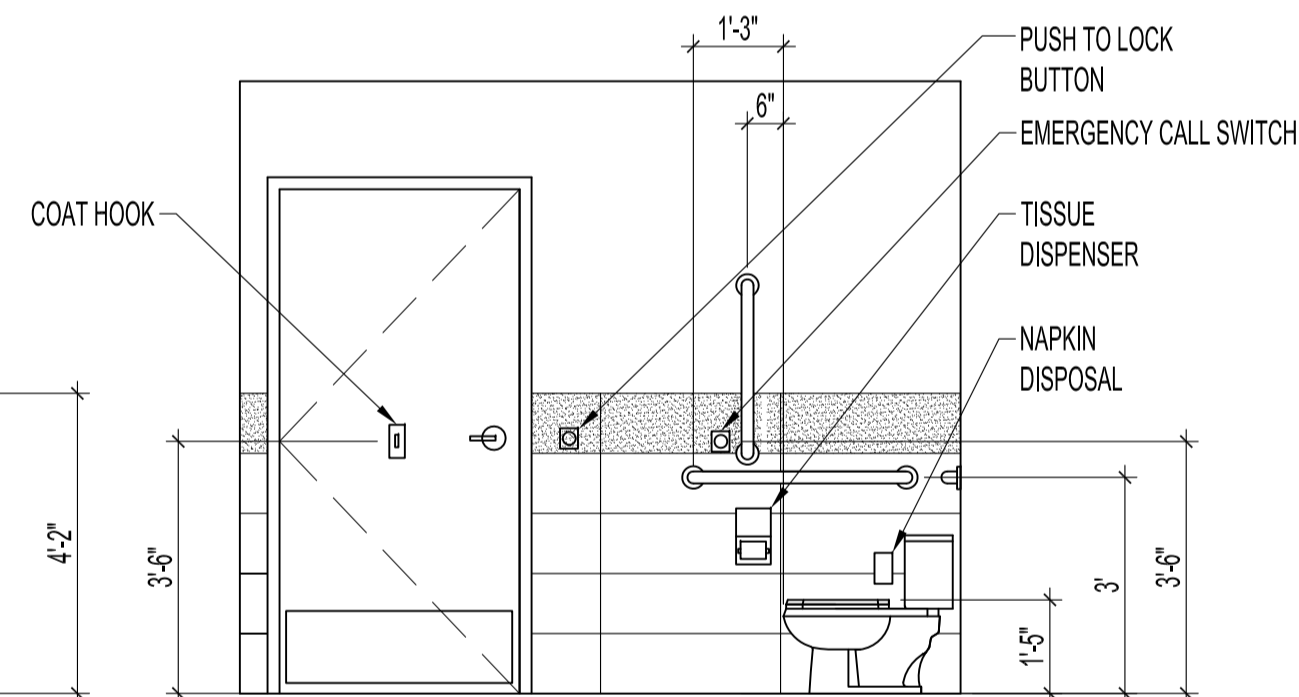
2 U.T.R 205 (206 SIM.) ELEVATION  
SCALE: 3/8"=1'-0"



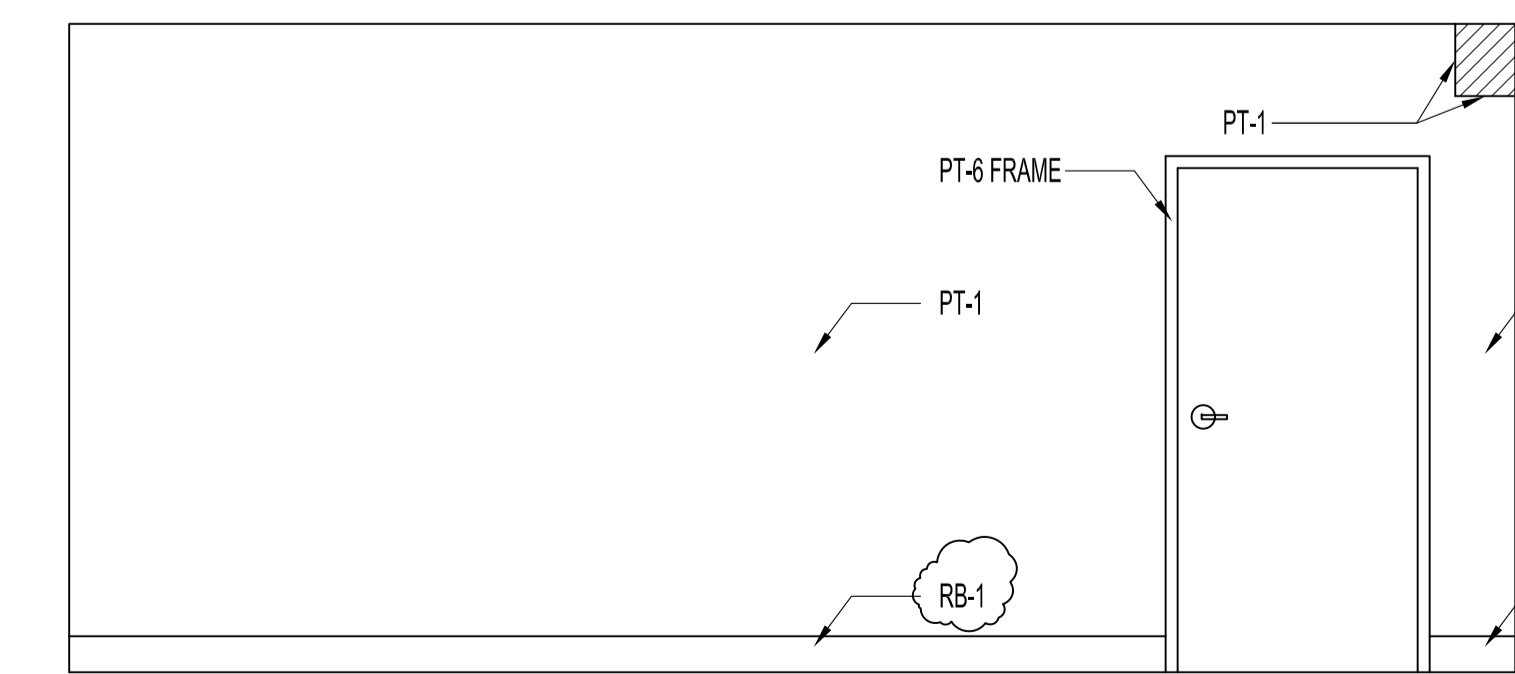
3 U.T.R 205 (206 SIM.) ELEVATION  
SCALE: 3/8"=1'-0"



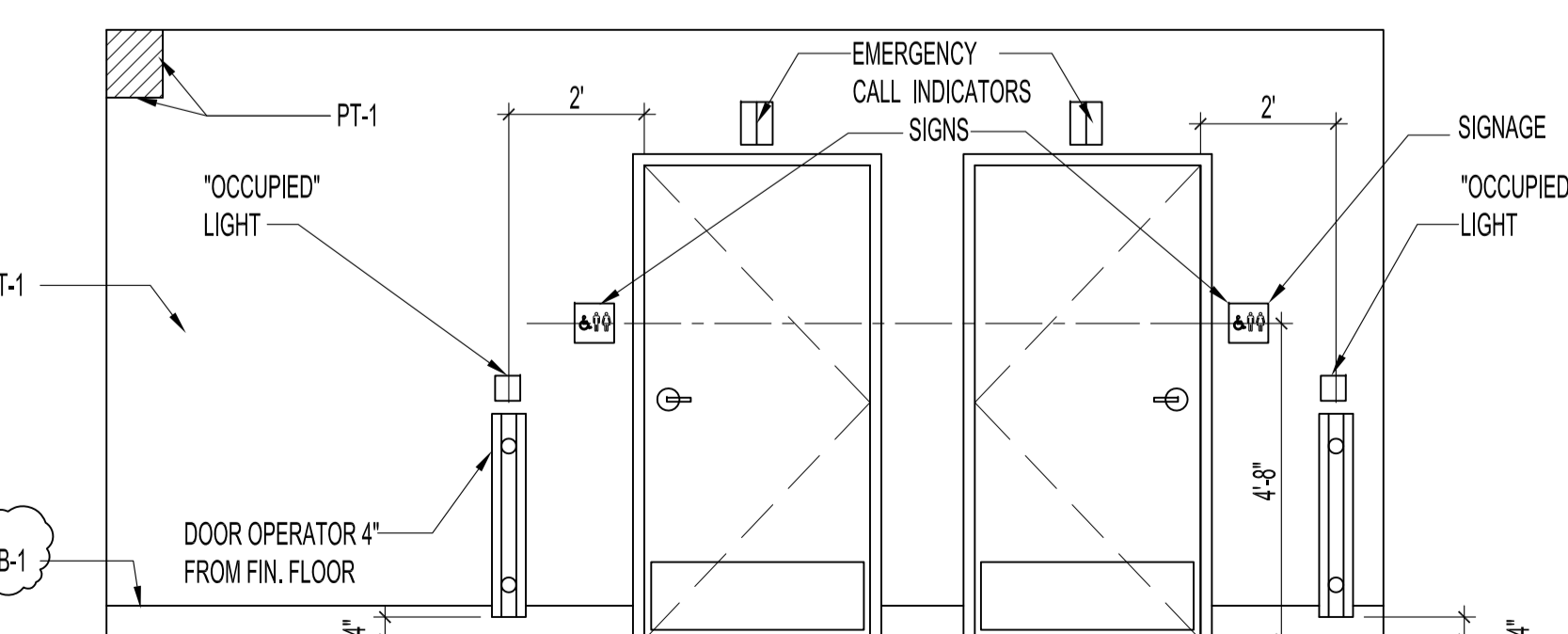
4 U.T.R 205 (206 SIM.) ELEVATION  
SCALE: 3/8"=1'-0"



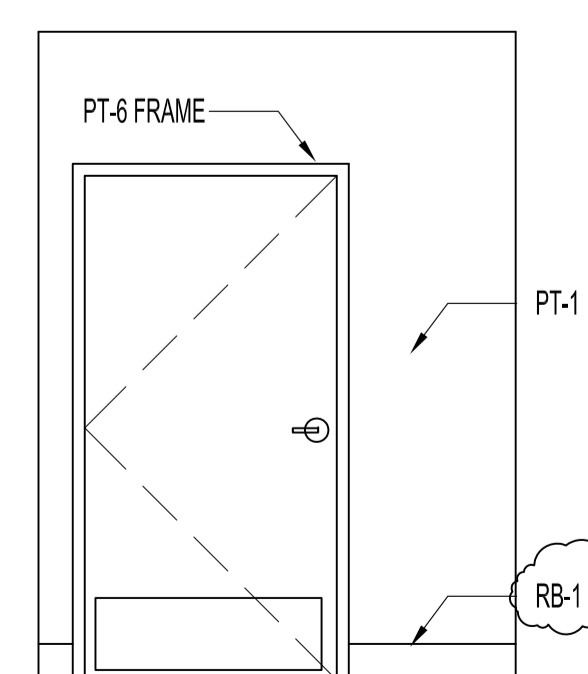
5 U.T.R 205 (206 SIM.) ELEVATION  
SCALE: 3/8"=1'-0"



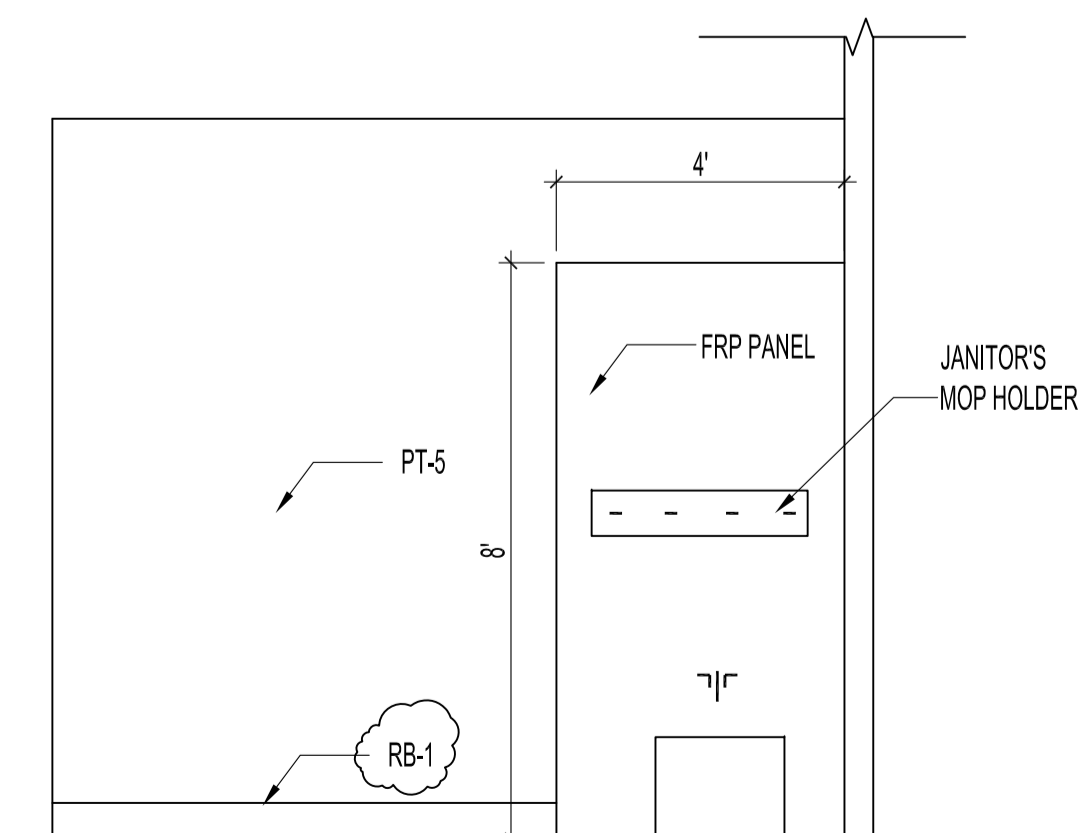
6 HALLWAY ELEVATION  
SCALE: 3/8"=1'-0"



7 HALLWAY ELEVATION  
SCALE: 3/8"=1'-0"



8 HALLWAY ELEVATION  
SCALE: 3/8"=1'-0"



9 MOP SINK ELEVATION  
SCALE: 3/8"=1'-0"

1	ISSUED FOR ADDENDUM #2	DEC 8/16
0	ISSUED FOR CONSTRUCTION	NOV 28/16
No.	REVISION/DESCRIPTION	BY DATE

SEAL



DRAWN	MK	CHECKED	DESIGNED	KJN	APPROVED
DATE	2016.11.30	USER	APPROVAL		

THE CITY OF WINNIPEG  
PLANNING, PROPERTY AND  
DEVELOPMENT DEPARTMENT  
MUNICIPAL ACCOMMODATIONS DIVISION  
3-65 GARRY STREET, R3C 4K4

PROJECT  
AQUATIC HALL OF FAME MUSEUM  
ROYAL GALLERY SPACE RESTORATION

25 POSEIDON BAY BID OPP # 036-2016

SHEET TITLE  
UNIVERSAL TOILET ROOMS  
ENLARGED PLANS AND ELEVATIONS

SCALE	PROJECT No:	SHEET No:
AS SHOWN	2014-148	A3.0