

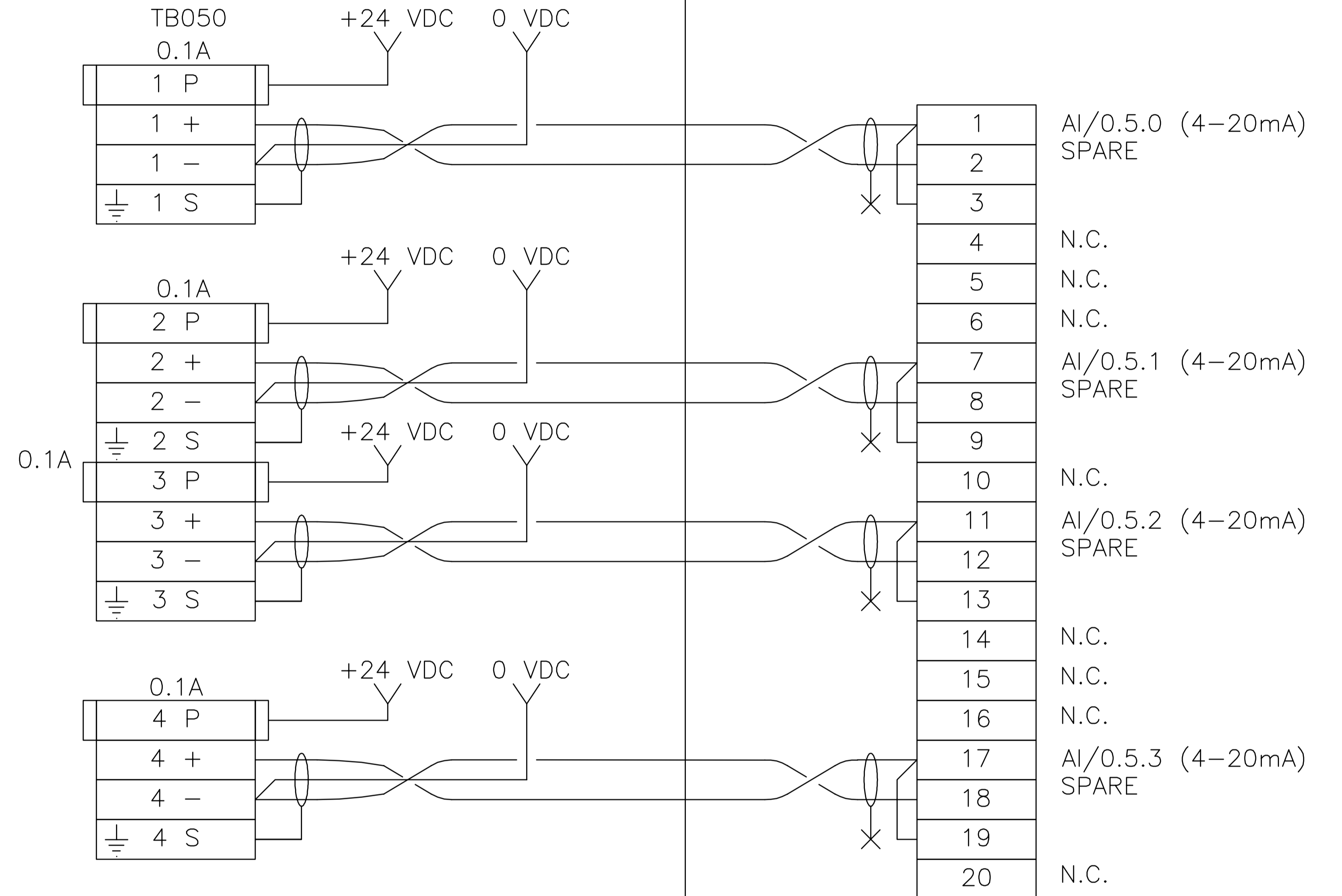
FIELD

CONTROL PANEL CP-M801

FIELD TERMINALS

PLC SECTION

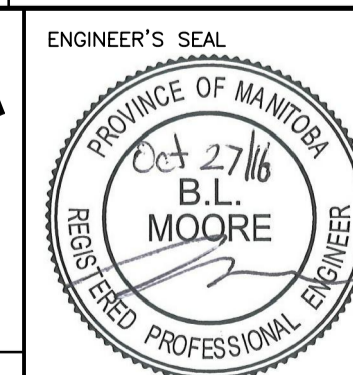
BMX AMI 0410  
RACK 0, SLOT 5



B.M. ELEV.		DESIGNED BY	BLM
		DRAWN BY	MS
		CHECKED BY	-
		APPROVED BY	-
		HOR. SCALE	VERTICAL
0	Issued for Tender	16/10/27	BLM
NO.	REVISIONS	DATE	BY



RELEASED FOR CONSTRUCTION



CONSULTANT PROJECT NO. 163526

**THE CITY OF WINNIPEG**  
WATER AND WASTE DEPARTMENT

NORTH END SEWAGE TREATMENT PLANT  
NEWPCC MAIN BUILDING - HVAC REPLACEMENT

CONTROL PANEL CP-M801  
RACK 0, SLOT 5, WIRING DIAGRAM

CITY DRAWING NUMBER 1-0101M-A0047-001  
SHEET 17 OF 21

IL-06