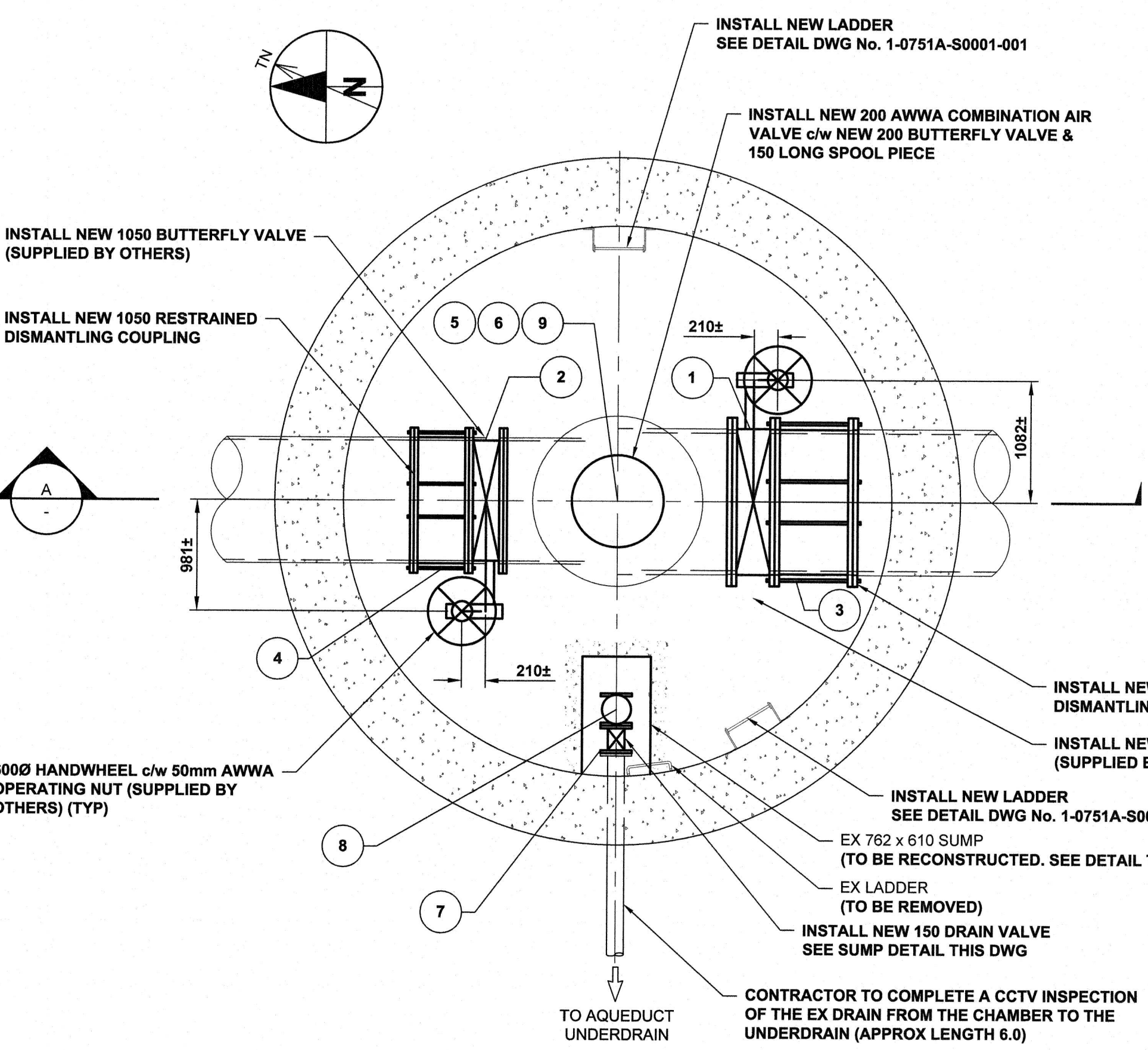
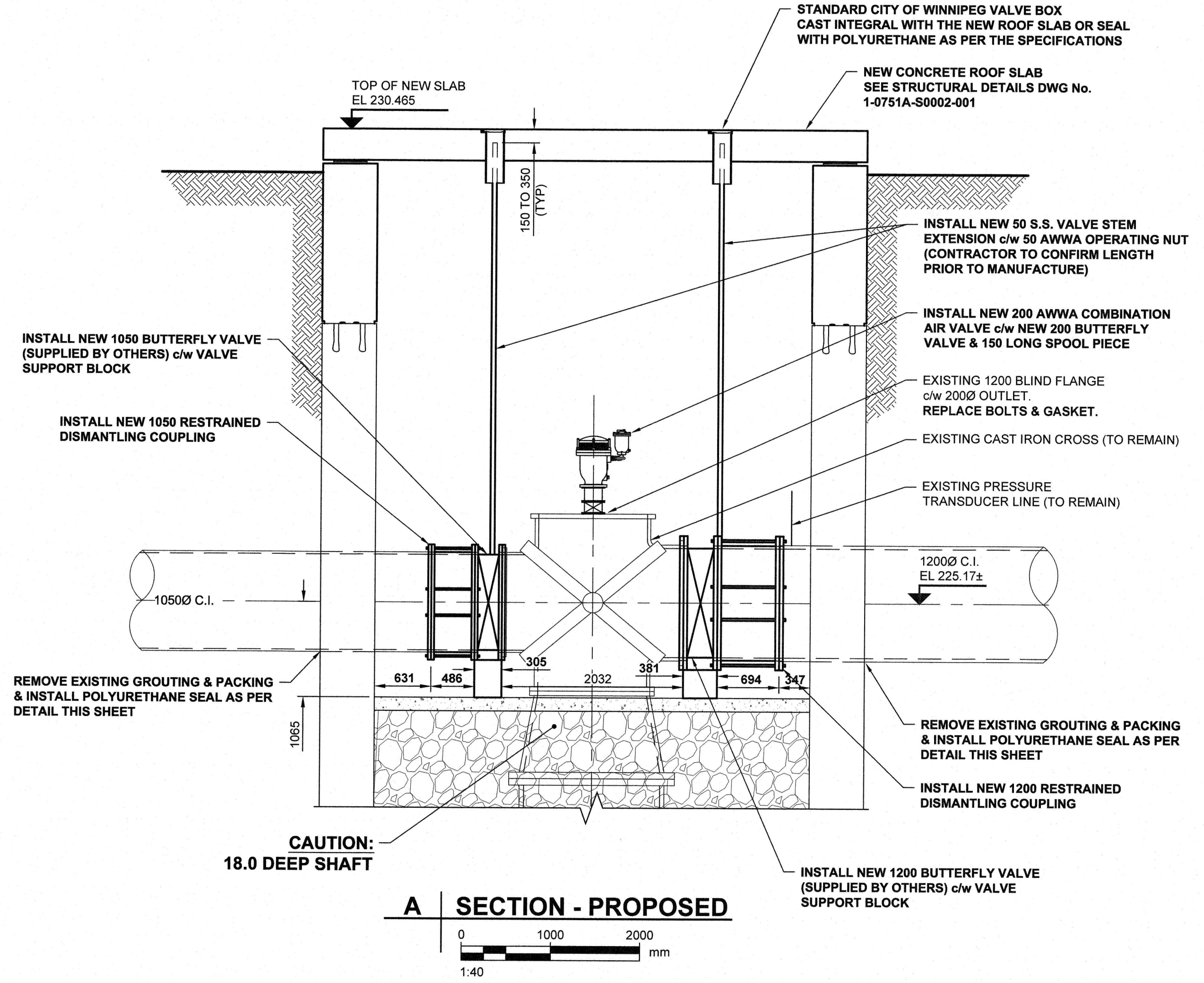
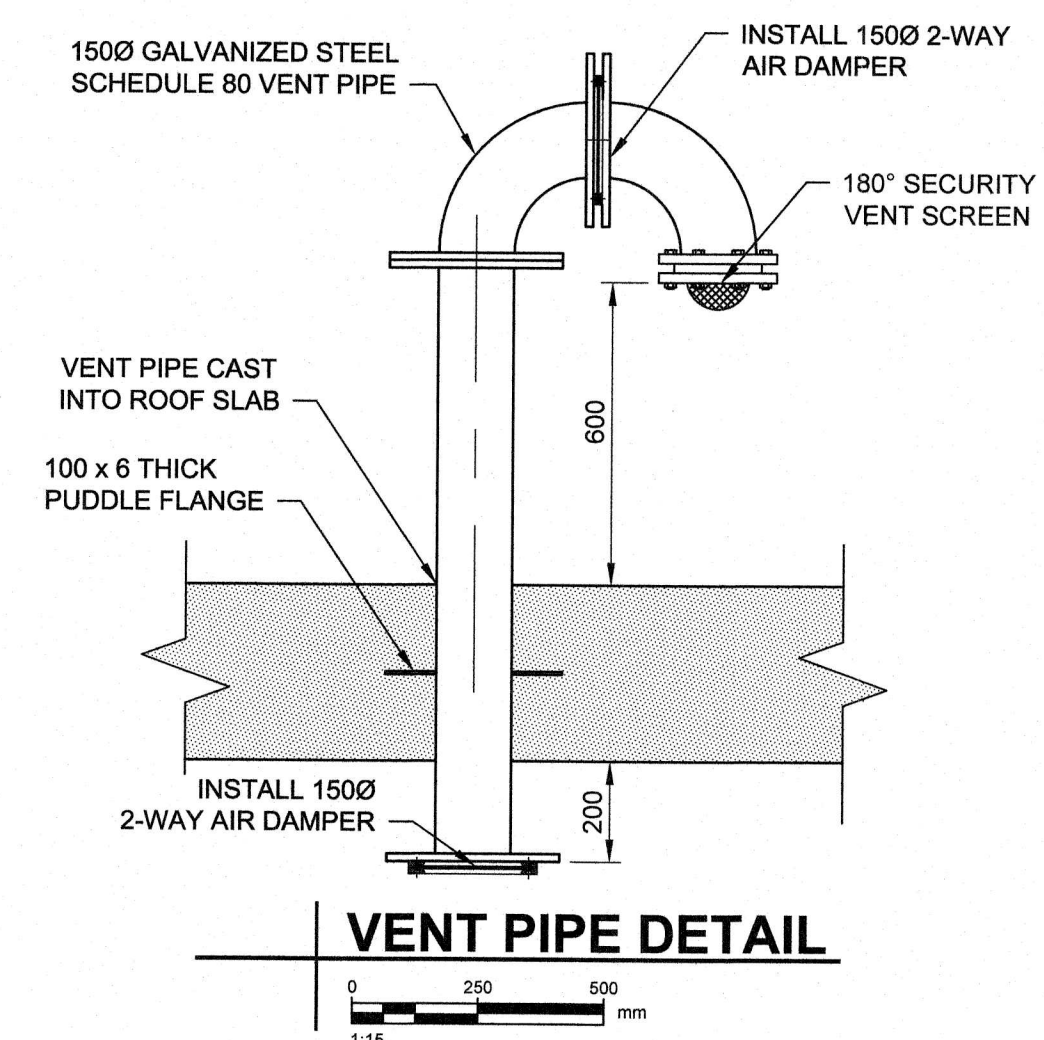
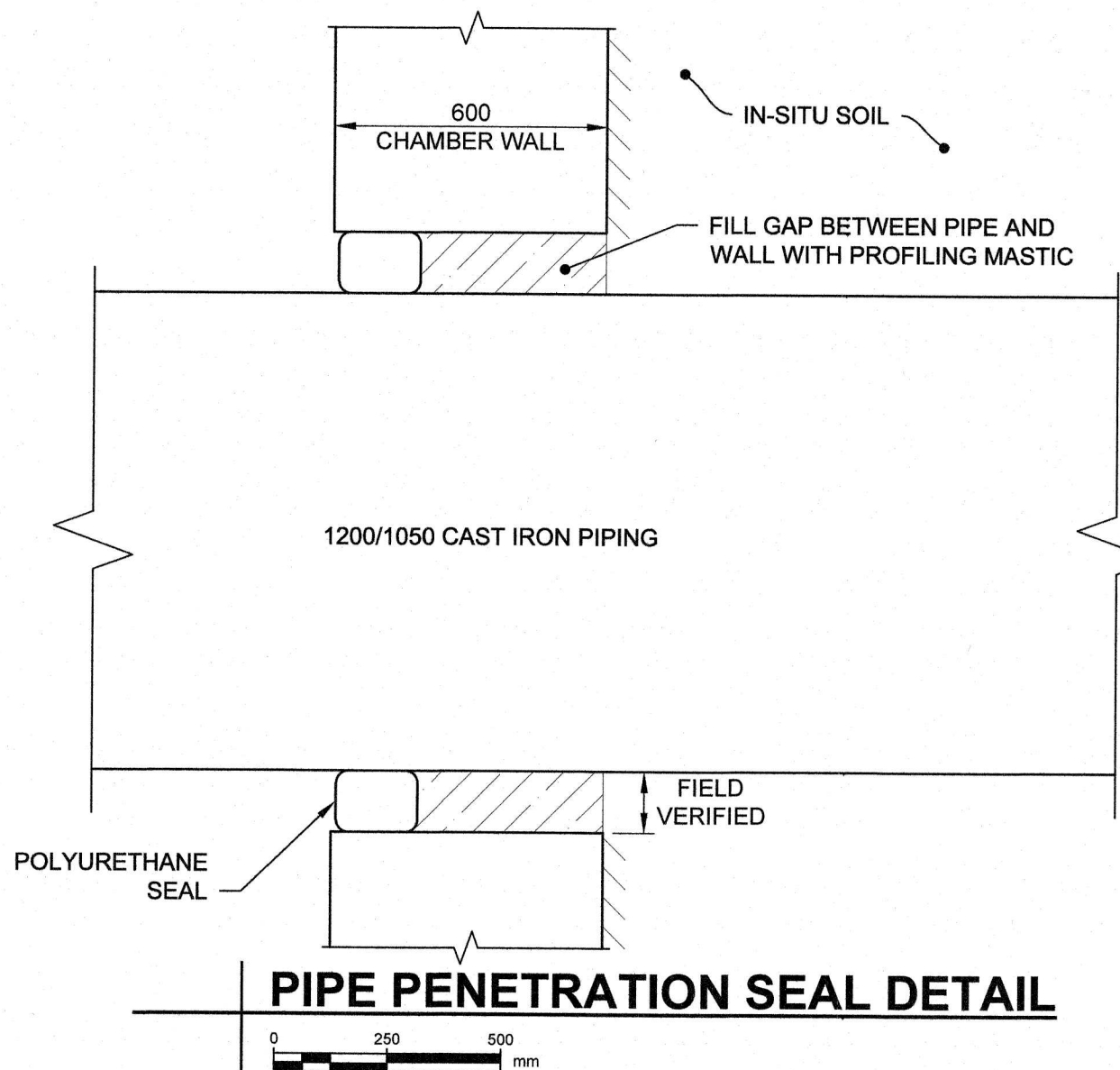
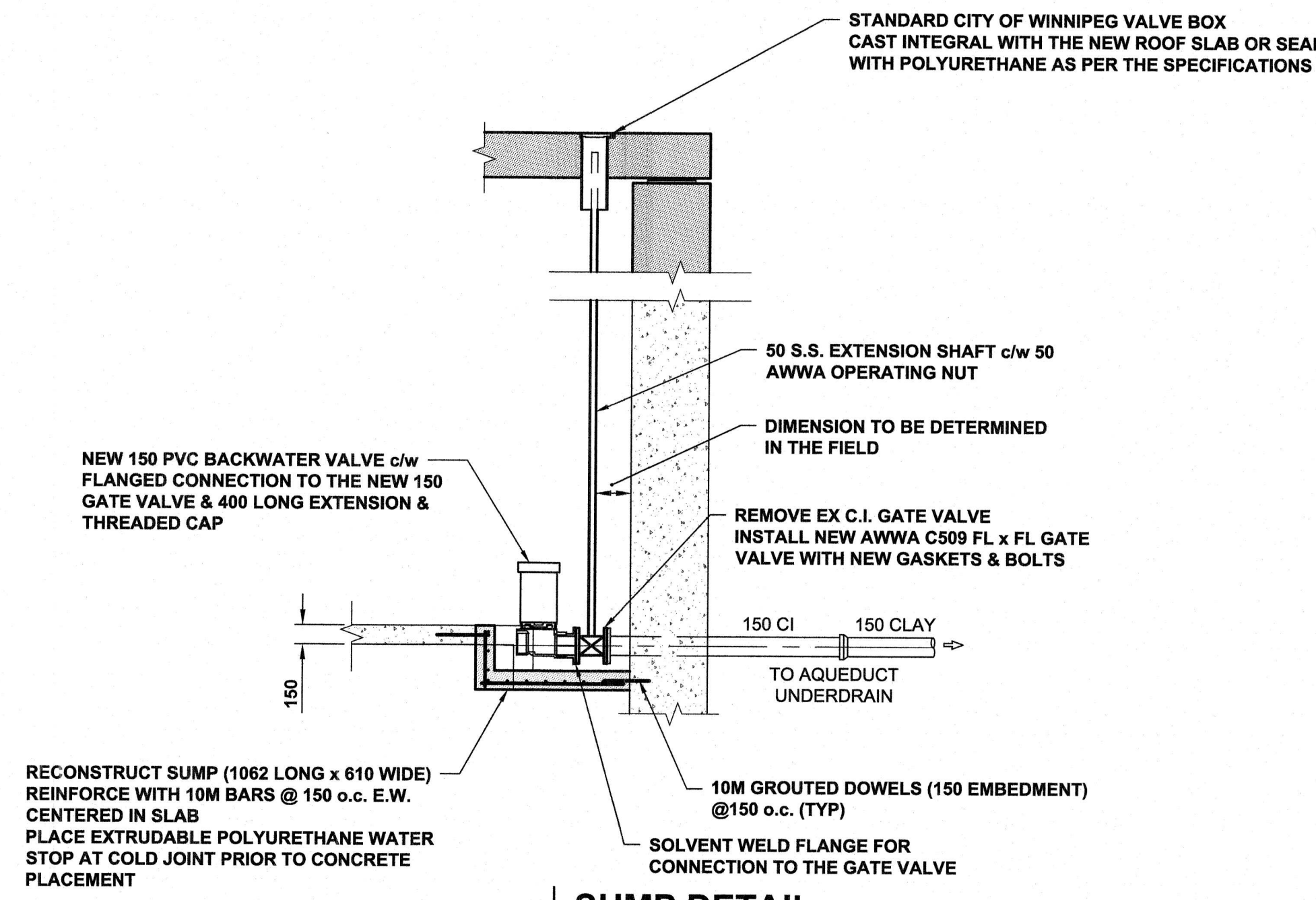


D SIZE 22" x 34" (559mm x 864mm)

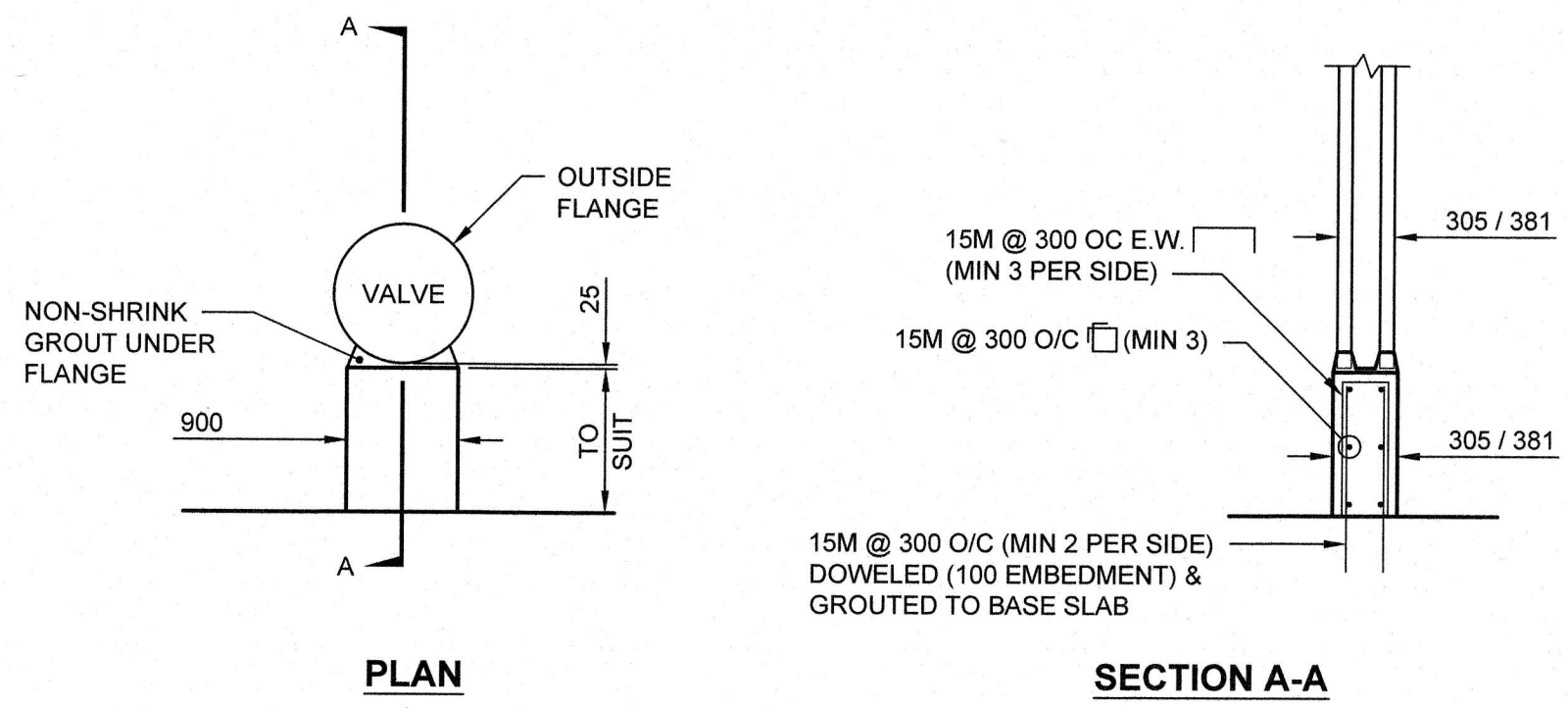
PLOT: 10/31/2016 10:58:13 AM

AECOM REVIEW DRAFT CHK AECOM FILE NAME: 60506849-SHT-30-0000-C-3002.dwg Saved By: cooperk



MATERIAL LIST

ITEM	DESCRIPTION	QUANTITY
01	1200 BUTTERFLY VALVE C/W WORM GEAR OPERATOR (SUPPLIED BY OTHERS)	1
02	1050 BUTTERFLY VALVE C/W WORM GEAR OPERATOR (SUPPLIED BY OTHERS)	1
03	1200 RESTRAINED DISMANTLING JOINT	1
04	1050 RESTRAINED DISMANTLING JOINT	1
05	200 AWWA C504 (FL x FL) BUTTERFLY VALVE C/W WORM GEAR OPERATOR	1
06	200 AWWA C512 COMBINATION AIR VALVE	1
07	150 AWWA C509 GATE VALVE	1
08	150 PVC BACKWATER VALVE c/w FLANGED END	1
09	200 STEEL SPOOL PIECE FL x FL (150 LONG)	1



- CONSTRUCTION NOTES:**
- SANDBLAST & PAINT ALL EXPOSED STEEL SURFACES.
 - DISCONNECT THE EXISTING ELECTRIC ACTUATOR WIRING & COIL NEATLY WITHIN THE CHAMBER.
 - THE OWNER TO DISCONNECT POWER TO THE VALVE ACTUATOR WITHIN THE STATION PRIOR TO CONSTRUCTION.
 - CONTRACTOR TO SUPPLY NEW BOLTING HARDWARE & GASKETS FOR ALL DISASSEMBLED FLANGE CONNECTIONS.
 - CONTRACTOR TO FIELD CONFIRM THE LOCATION OF THE EXISTING VALVE STEMS & VALVE BOXES PRIOR TO CASTING THE NEW ROOF SLAB.
 - CONTRACTOR TO CONFIRM LAY LENGTHS & BOLTING PATTERNS FOR ALL COMPONENTS.

LOCATION APPROVED

UNDERGROUND STRUCTURES

SUPR. U/G STRUCTURES DATE COMMITTEE

NOTE: LOCATION OF UNDERGROUND STRUCTURES AS SHOWN ARE BASED ON THE BEST INFORMATION AVAILABLE. BUT NO GUARANTEE IS GIVEN THAT ALL EXISTING UTILITIES ARE SHOWN OR THAT THE GIVEN LOCATIONS ARE EXACT. CONFIRMATION OF EXISTENCE AND EXACT LOCATION OF ALL SERVICES MUST BE OBTAINED FROM THE INDIVIDUAL UTILITIES BEFORE PROCEEDING WITH CONSTRUCTION.

NO.	REVISIONS	YY/MM/DD	BY
1	ISSUED FOR ADDENDUM 1	16/10/31	KLC
0	ISSUED FOR CONSTRUCTION	16/10/13	KLC

AECOM

DESIGNED BY: ADB

CHECKED BY: [Signature]

DRAWN BY: ADL

APPROVED BY: [Signature]

HOR. SCALE: AS NOTED

VERT. SCALE: N/A

DATE: [Blank]

RELEASED FOR CONSTRUCTION

Original signed by H. BUHLER OCT 13/16

APCCM

Certificate of Authorization

AECOM Canada Ltd.

No. 4671 Date: Oct 31/16

PROFESSIONAL'S SEAL

PROVINCE OF MANITOBA

H. BRAUN

Member

REGISTERED PROFESSIONAL ENGINEER

CONSULTANT DRAWING NO. 60506849-SHT-30-0000-C-3002

THE CITY OF WINNIPEG WATER AND WASTE DEPARTMENT

BRANCH I AQUEDUCT EAST TUNNEL SHAFT UPGRADES

PROPOSED PIPING MODIFICATIONS PLANS, SECTIONS & DETAILS

BID OPPORTUNITY NO. 805-2016

SHEET 4 OF 8

CITY DRAWING NUMBER 1-0751A-C0003-001

REV 1