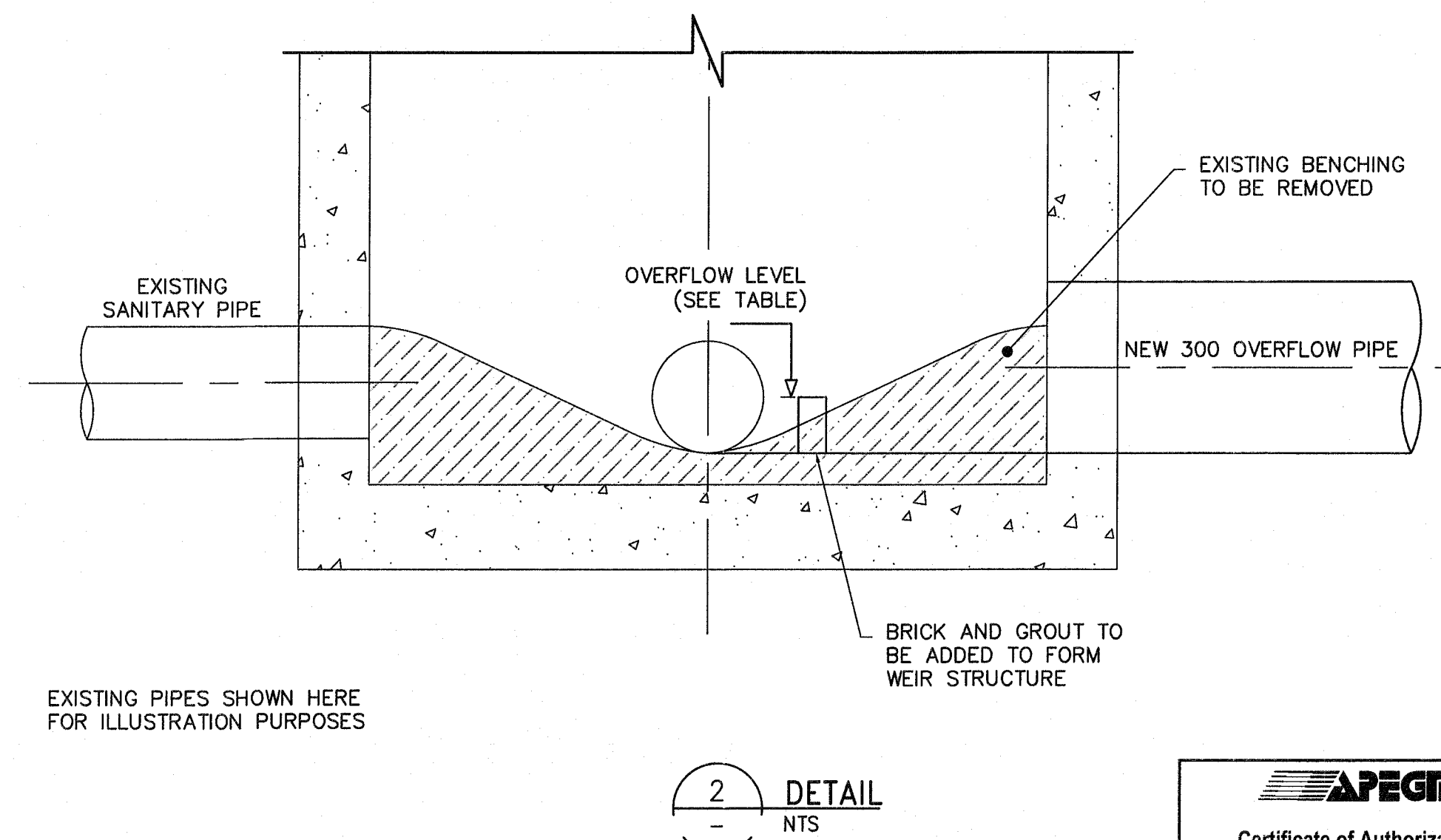
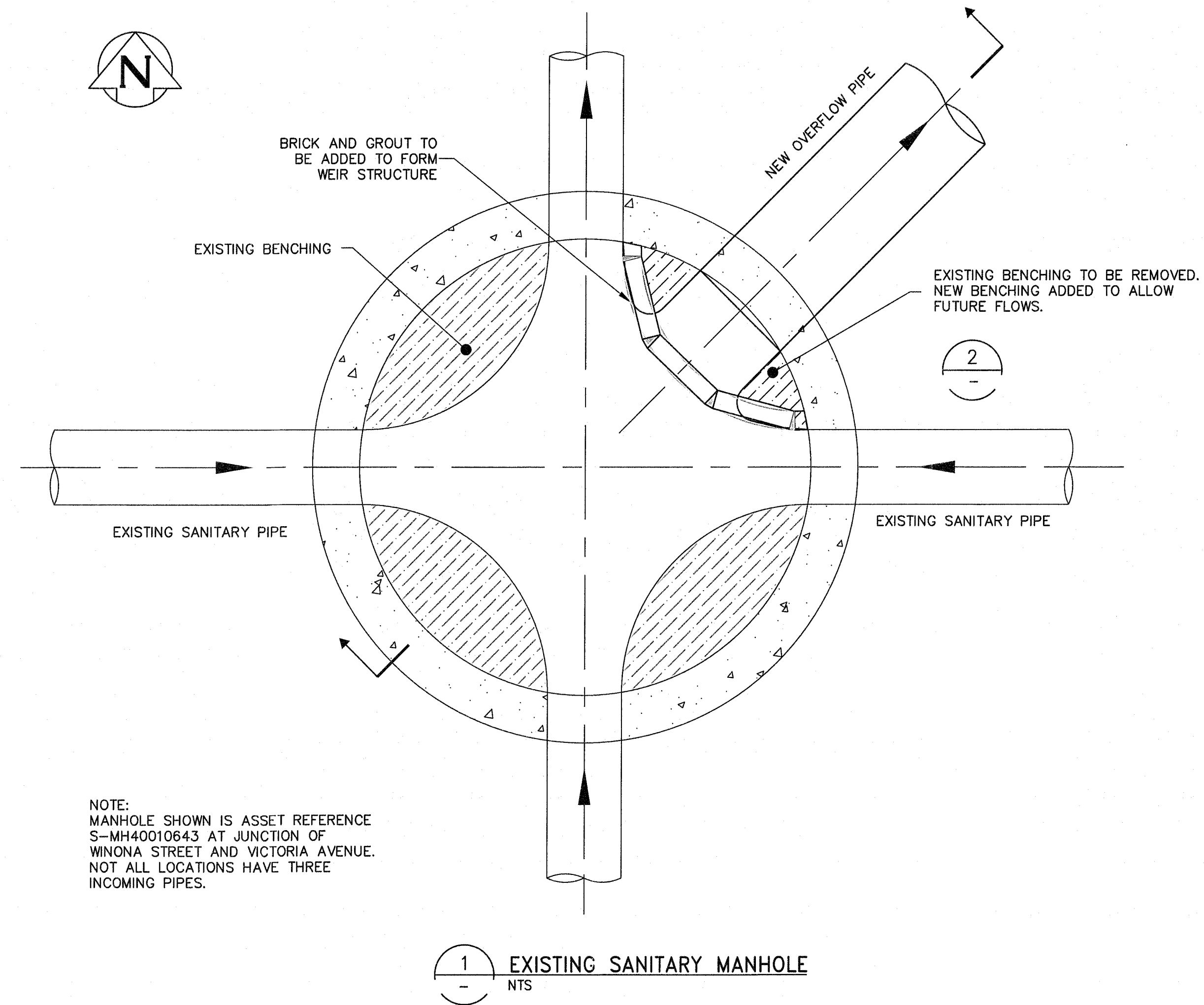




SANITARY MANHOLE LOCATION	REFERENCE	ASSET REFERENCE	OVERFLOW LEVEL
YALE AVENUE @ BREWSTER STREET	MH E02	S-MH40011996	228.089
YALE AVENUE @ HOKA STREET	MH E03	S-MH40012009	228.0
YALE AVENUE @ MADELINE STREET	MH E04	M-S-TE001	229.7
YALE AVENUE @ WINONA STREET	MH E05	M-S-MH001	229.437
VICTORIA AVENUE @ WINONA STREET	MH E06	S-MH40010643	228.089
YALE AVENUE @ BOND STREET		S-MH40012460	229.603
BOND STREET		S-MH40010687	230.639
BOND STREET		S-MH40010690	229.865
BOND STREET		S-MH40010693	230.15
YALE AVENUE @ DAY STREET		S-MH40012464	229.173
YALE AVENUE @ KANATA STREET		S-MH40012463	230.142
KANATA STREET		S-MH40010746	230.487
YALE AVENUE @ WABASHA STREET		S-MH40012472	230.467
WABASHA STREET		S-MH40010745	230.807
ROANOKE STREET @ RAVELSTON AVENUE		S-MH40012540	230.309
ROANOKE STREET @ VICTORIA AVENUE		S-MH40010744	231.257
YALE AVENUE @ LEOLA STREET		S-MH40008633	230.547
LEOLA STREET		S-MH40008200	230.783
WAYOATA STREET @ RAVELSTON AVENUE		S-MH40008709	229.65
WAYOATA STREET @ VICTORIA AVENUE		S-MH40008711	229.975
WAYOATA STREET @ REGENT AVENUE		S-MH40008259	230.12
VICTORIA AVENUE @ WALDEN CRESCENT		S-MH40008735	230.385
VICTORIA AVENUE @ LAURENTIA BAY		S-MH40008737	230.079
PANDORA AVENUE @ REDONDA STREET		S-MH40008178	231.34
REGINA PLACE		S-MH40012750	229.179
REGINA PLACE @ HAROLD AVENUE		S-MH40012684	228.855
HAROLD AVENUE @ LEOLA STREET		M-S-TE004	229.4
MCMEANS AVENUE @ WAYOATA STREET		M-S-MH003	228.99
MCMEANS AVENUE @ LANCELOT PLACE		M-S-MH004	230.075
REDONDA STREET @ ST MARTIN BOULEVARD		S-MH40009033	229.609



**APEGM**  
Certificate of Authorization  
CH2M HILL Canada Ltd.  
No. 1441 Date: 2016 02 11

B.M. ELEV.		<b>ch2m</b>		ENGINEER'S SEAL				 <b>THE CITY OF WINNIPEG</b> WATER AND WASTE DEPARTMENT ENGINEERING DIVISION	
CONSTRUCTION COMPLETION DATE: YYYY MM DD				DESIGNED BY: MAF	CHECKED BY: MD				
		DRAWN BY: JBC	APPROVED BY: <i>E. Sharp</i>	CONSULTANT DRAWING NUMBER: C-505		CITY DRAWING NUMBER: LD-7765			
		SCALE: HORIZONTAL AS NOTED VERTICAL -	RELEASED FOR CONSTRUCTION: <i>[Signature]</i>			STANDARD DETAILS SHEET 5			
0 ISSUED FOR TENDER 02/16 JBC		DATE: 02-12-2016		PLOT DATE: 2016 02 11		FILE PATH: C:\pw_workdir\den001\cortez\40251767\			
NO. REVISIONS DATE BY		DATE: 02-12-2016		DATE: 02-12-2016		FILE NAME: C-505.dwg			