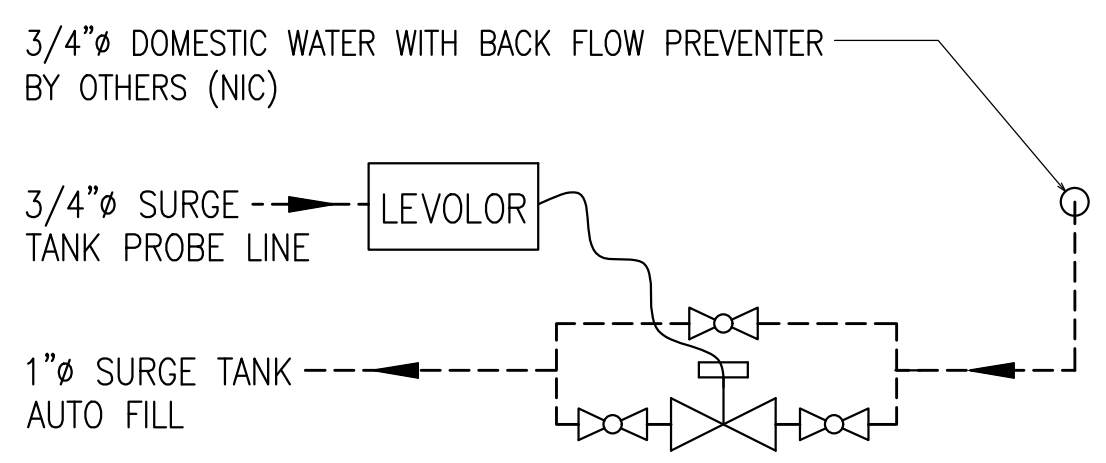


CUSTOMIZED RIDEHOUSE 200 PLAY STRUCTURE

- INCLUDING:**
1. KIDZ TWISTER CLOSED FLUME SLIDE
 2. MINI-WHEEL DUMPING BUCKET
 3. STRUCTURE SPRAYS - VARIOUS, LOCATIONS TO BE DETERMINED
 4. PROBRELLA
 5. SPRAY LOOP TUNNEL
 6. TALL GROUND SHOOTERS X2



WATER LEVEL CONTROLLER TYP. SCHEMATIC

1 SP-1 POOL & SPRAY PAD PIPING SCHEMATIC 1/4"=1'-0"

LEGEND

BALL VALVE	
BUTTERFLY VALVE	
SOLENOID VALVE	
FLOW METER	

GENERAL NOTES

DRAWINGS AND SPECIFICATIONS AS INSTRUMENTS OF SERVICE ARE THE PROPERTY OF WESTERN RECREATION AND DEVELOPMENT INC. AND SHALL NOT BE USED, REPRODUCED, MODIFIED OR SOLD EITHER WHOLLY OR IN PART, WITHOUT THEIR PERMISSION. PATENT # CA2357509

SOME ITEMS DRAWN OR INDICATED ON THIS PLAN ARE NOT INCLUDED IN THE CONTRACT PRICE.

1.	ISSUED FOR CONSTRUCTION	07.15.16
No.	REVISION	DATE

FIRM NAME AND ADDRESS
Western Recreation & Development Inc.
 191 Eagle Dr
 Winnipeg, Manitoba R2R 1V4
 Tel : 1-204-633-7209
 Fax: 1-204-633-9293
 E-mail: info@waterparks.ca
 www.waterparks.ca

PROJECT NAME AND ADDRESS
SEVEN OAKS POOL
RENOVATION AND ADDITION
 WINNIPEG MANITOBA

DRAWING	POOL & SPRAY PAD PIPING	SHEET	SP-1
DATE	JULY 14 /2016	CHECKED BY	B.D.
SCALE	AS SHOWN	DRAWN BY	A.C.