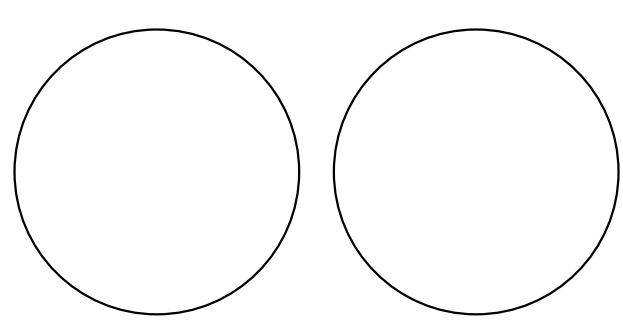


issue / rev.	date	notes
0	2016.07.15	ISSUED FOR CONSTRUCTION
#		issued notes

professional seals



project information

**SEVEN OAKS POOL RENOVATION & ADDITION**

444 ADSUM DRIVE  
WINNIPEG, MB  
CANADA

client

CITY OF WINNIPEG  
4TH FLOOR - 85 KING ST.  
WINNIPEG, MB

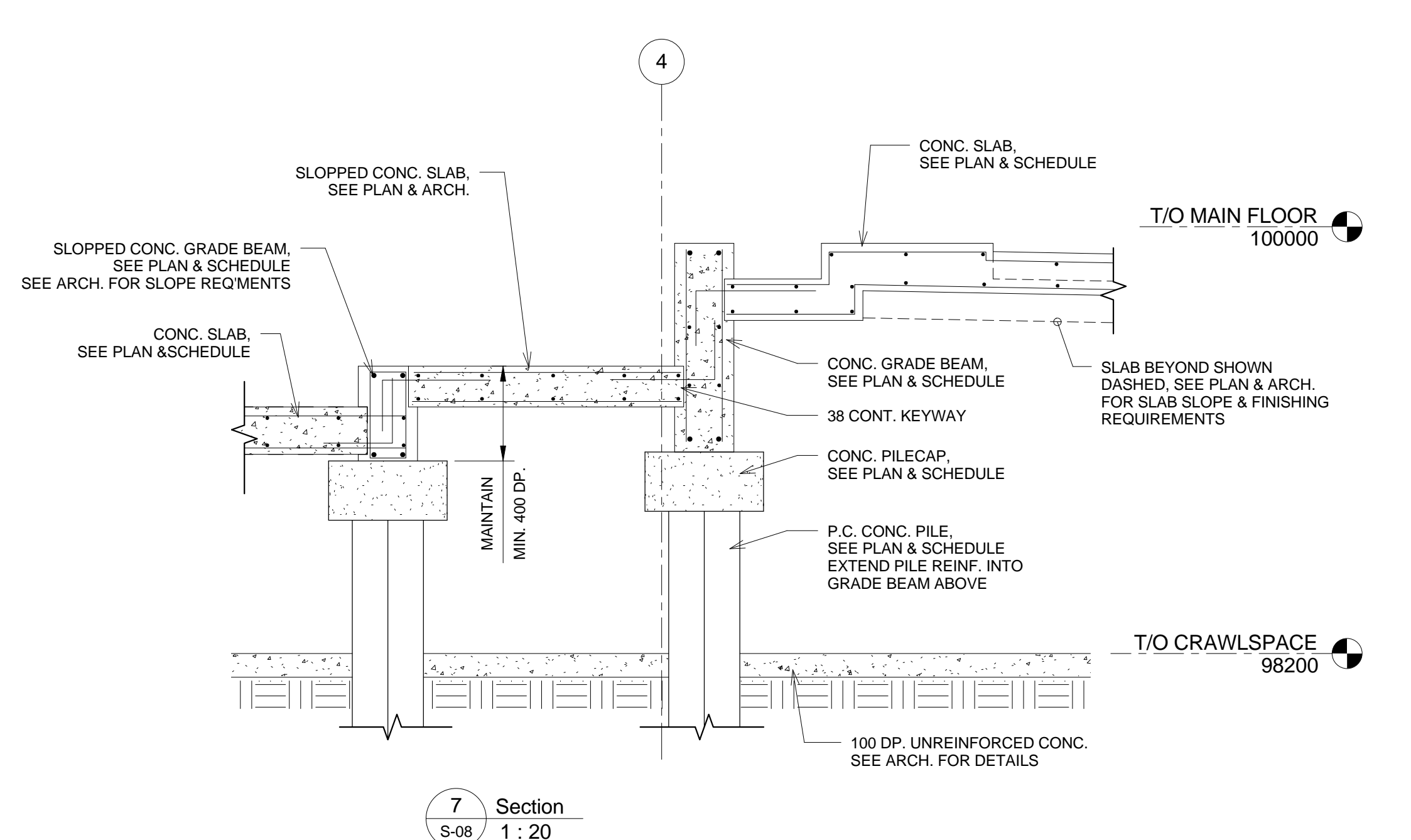
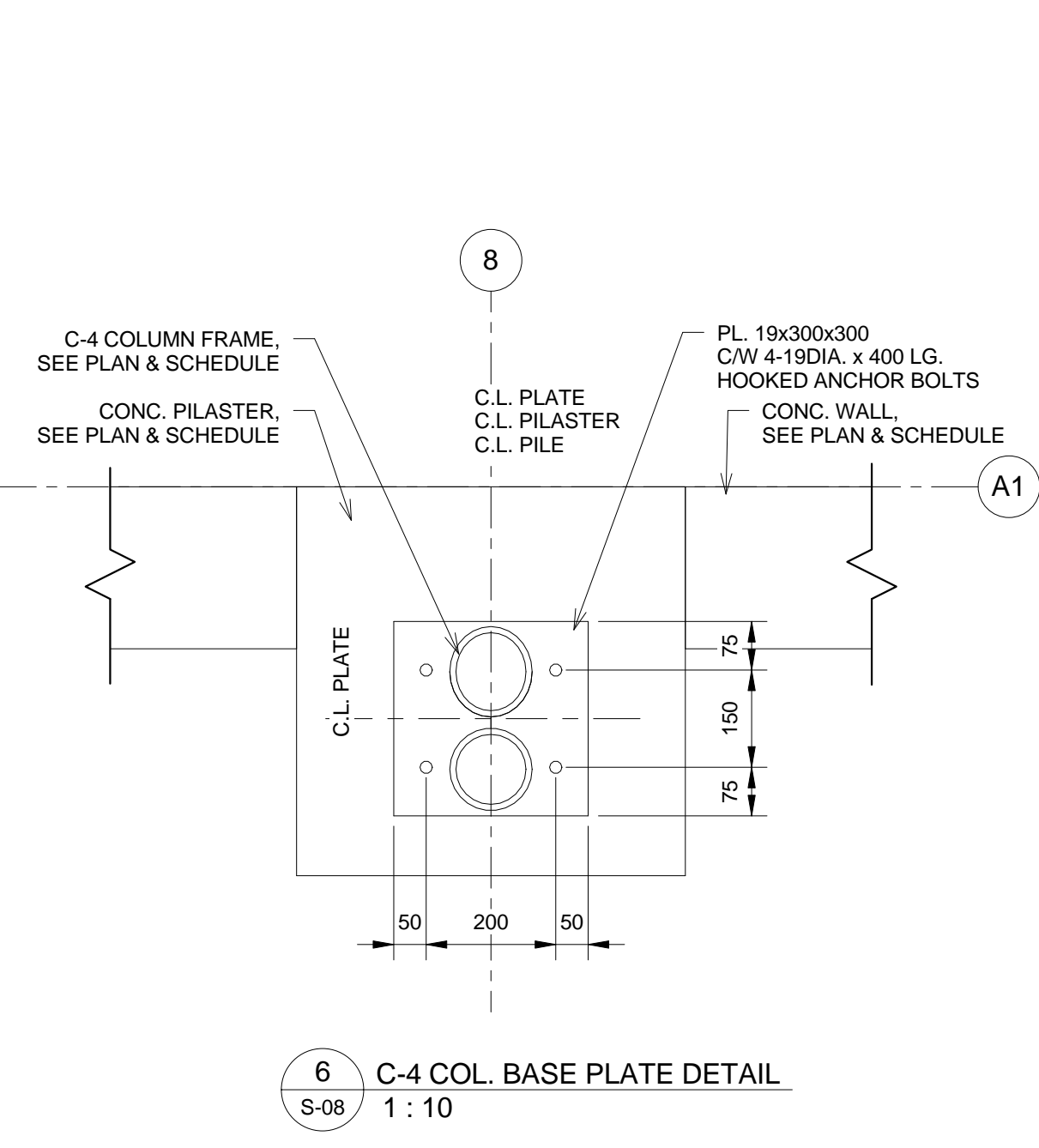
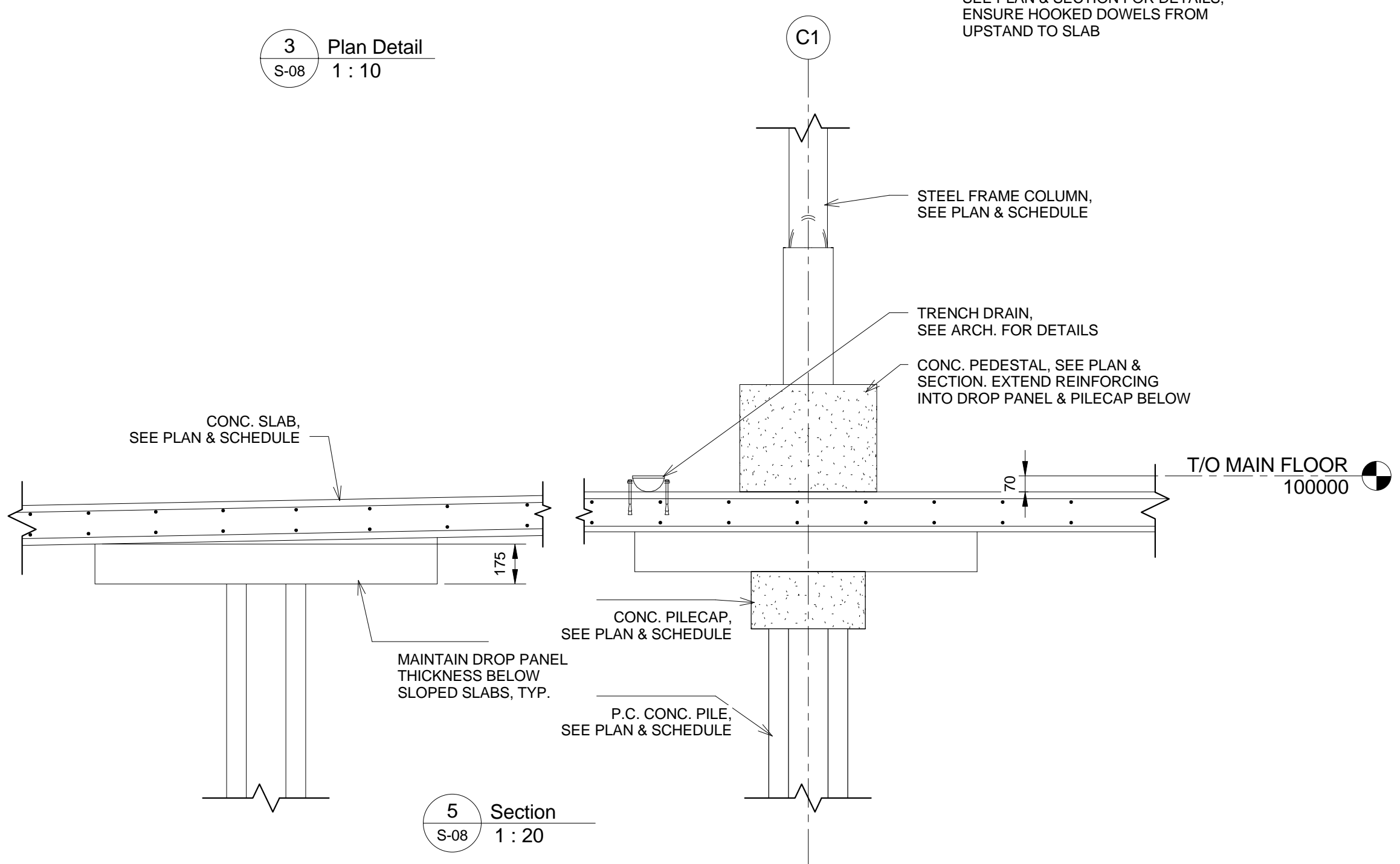
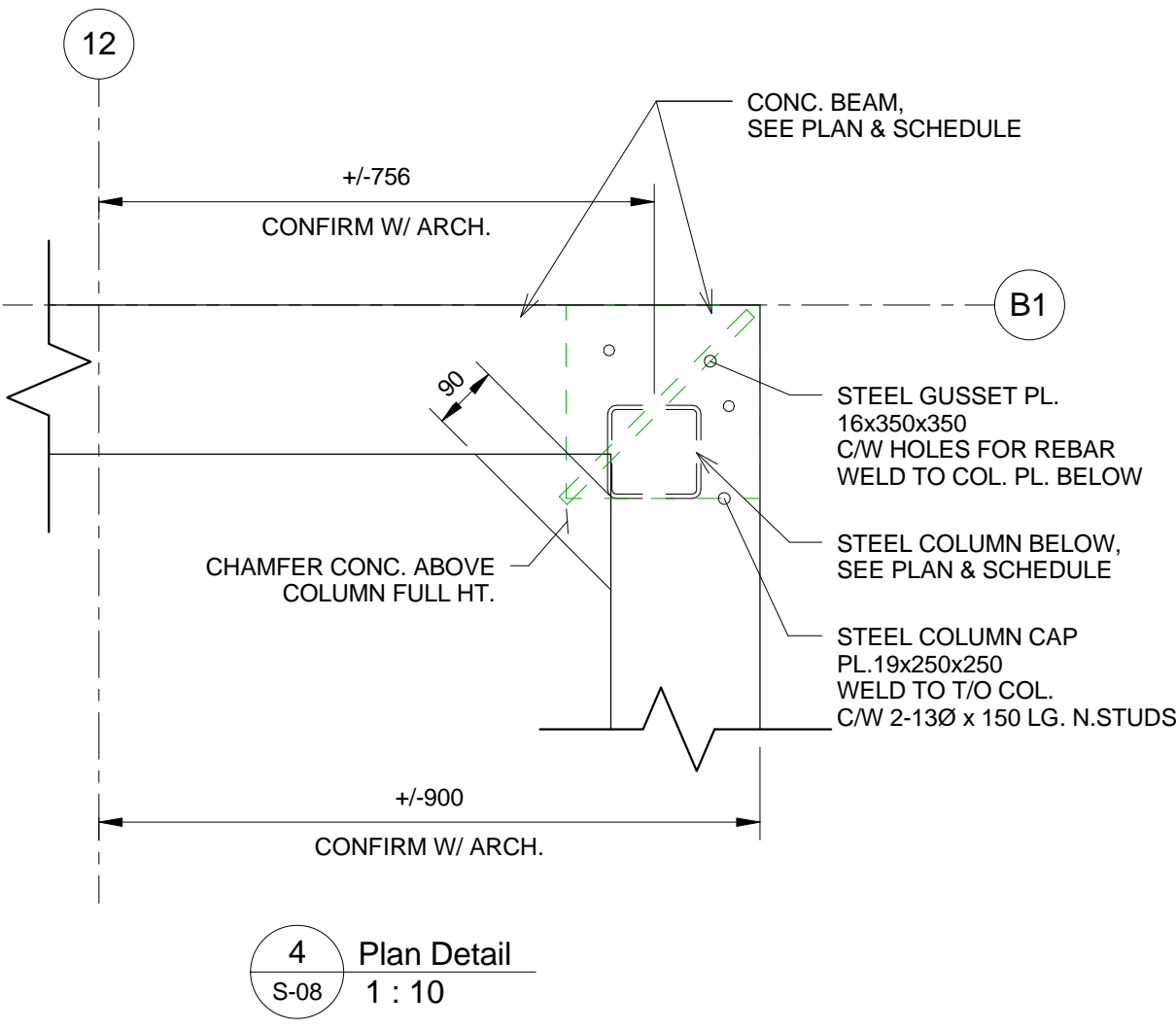
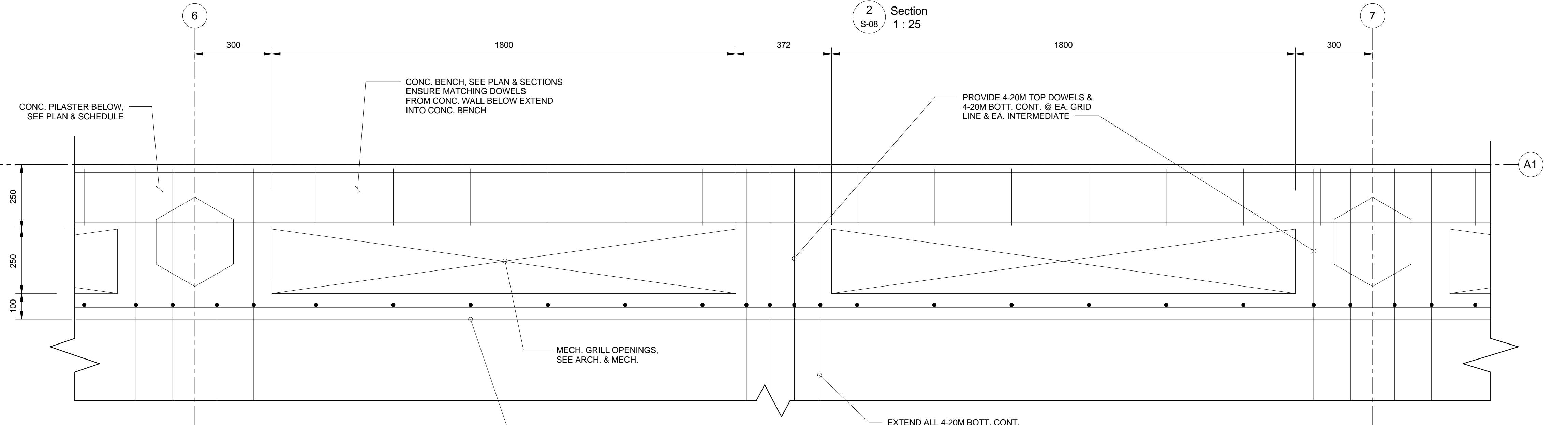
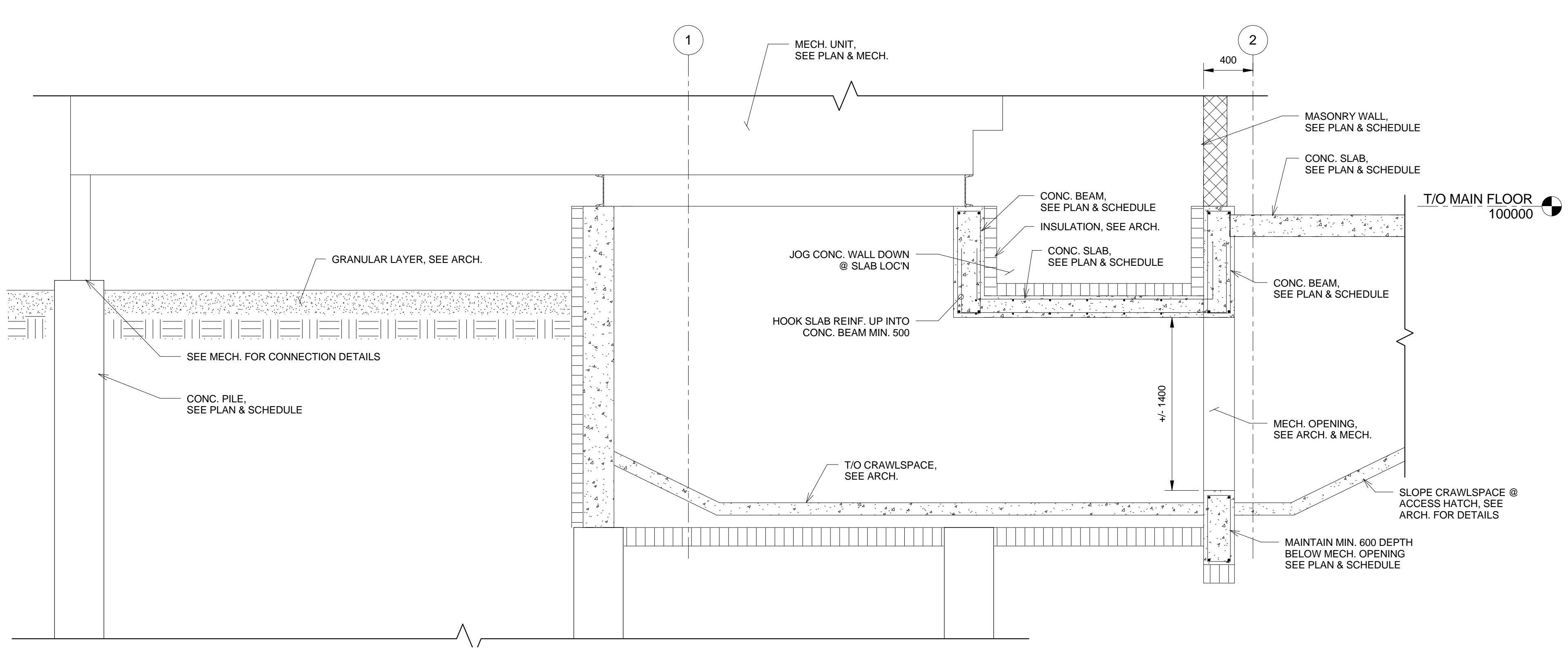
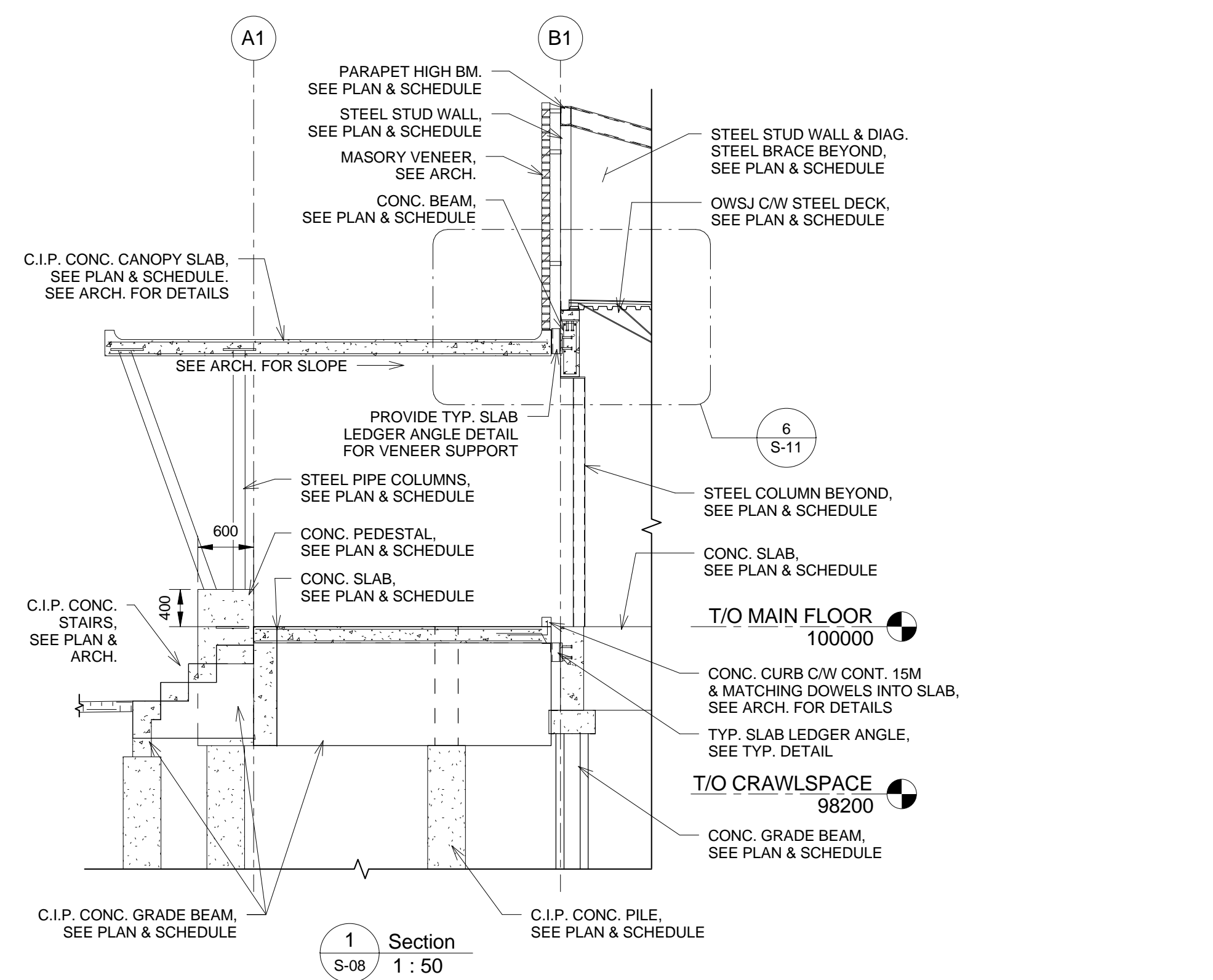
drawing information

Sections & Details

drawn by: M.B. / AVP  
approved by: FDW

scale: As indicated  
date issued: 2016.07.12  
proj. #: W14432  
rev. #: 0

**S-08**



This drawing must not be scaled. The contractor shall verify all dimensions and other data on site prior to commencement of work. All discrepancies, errors, and omissions are to be reported to the architect, drawings and specifications, as instruments of service, are the property of the architect, and when made, must bear his name. All rights to be returned to the architect on request.