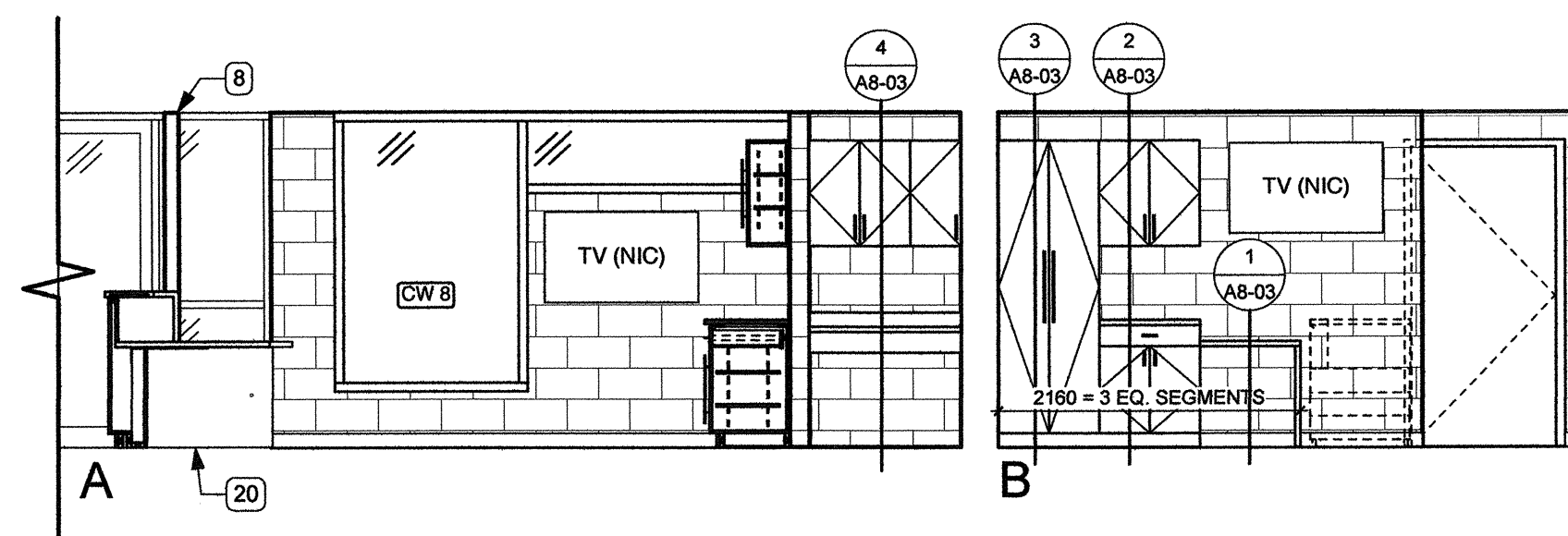
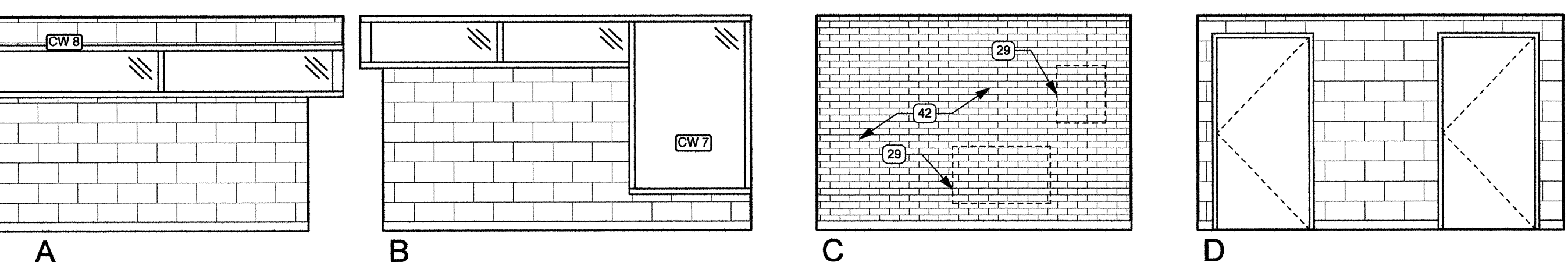
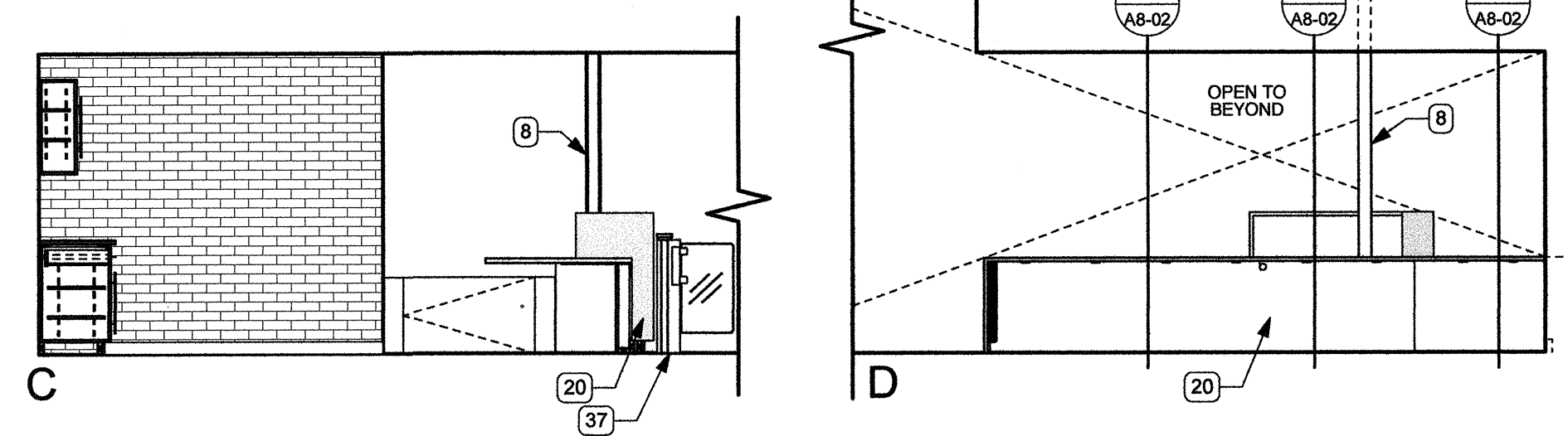


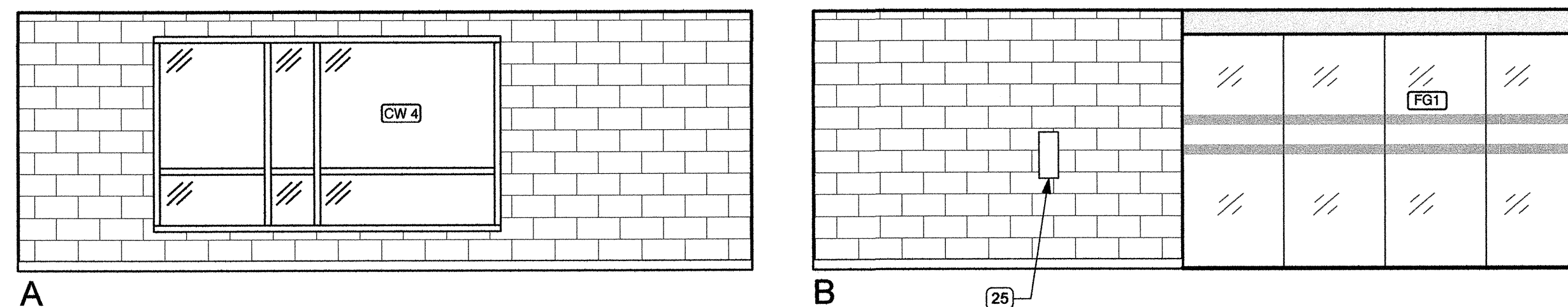
1 VESTIBULE 100  
A7-02 1:50



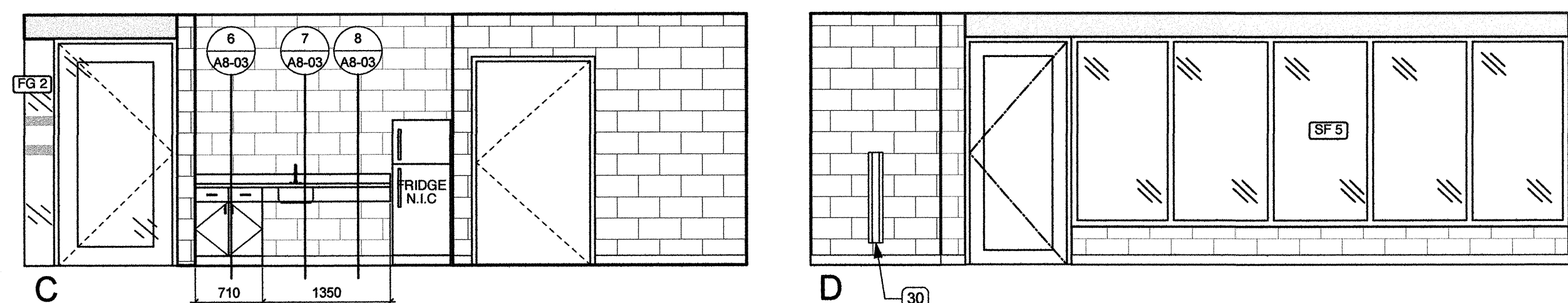
2 RECEPTION 103  
A7-02 1:50



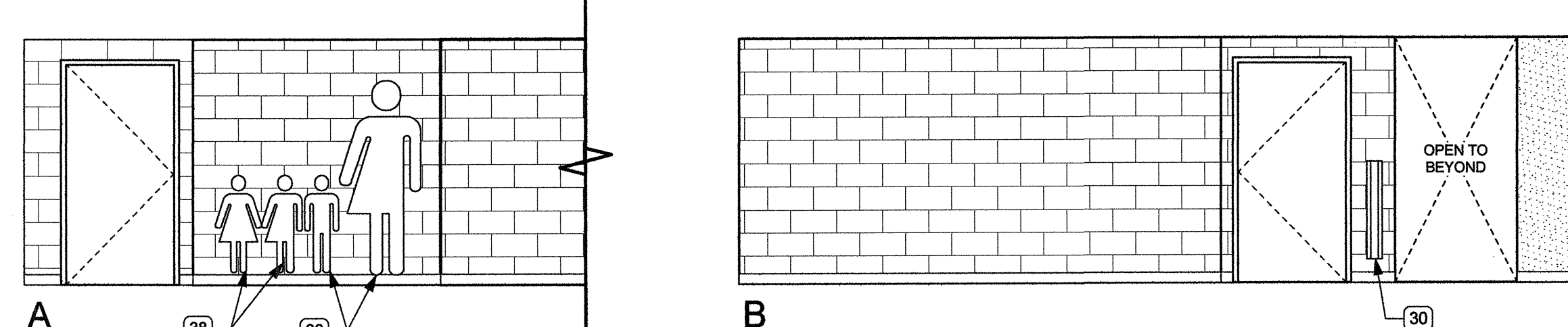
3 OFFICE 104  
A7-02 1:50



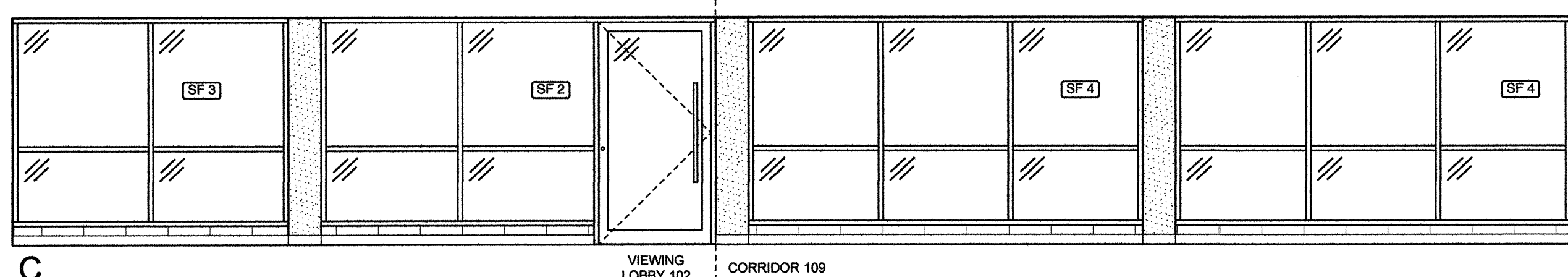
4 VIEWING LOBBY / MPR 120  
A7-02 1:50



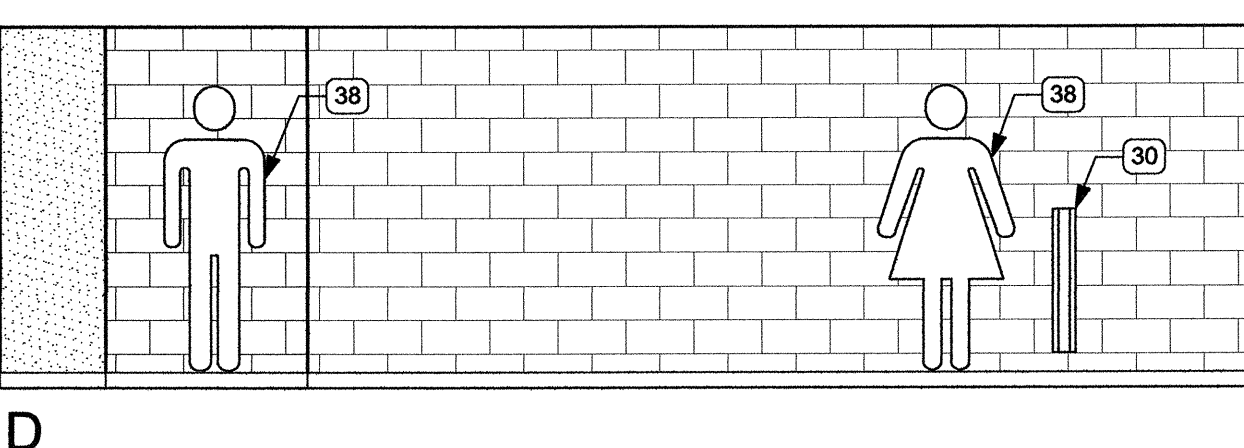
4 VIEWING LOBBY / MPR 120  
A7-02 1:50



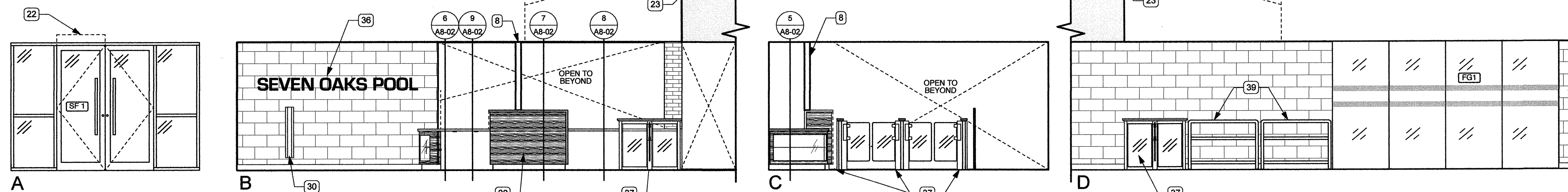
5 CORRIDOR 109  
A7-02 1:50



5 CORRIDOR 109  
A7-02 1:50



6 ENTRY LOBBY 101  
A7-02 1:50



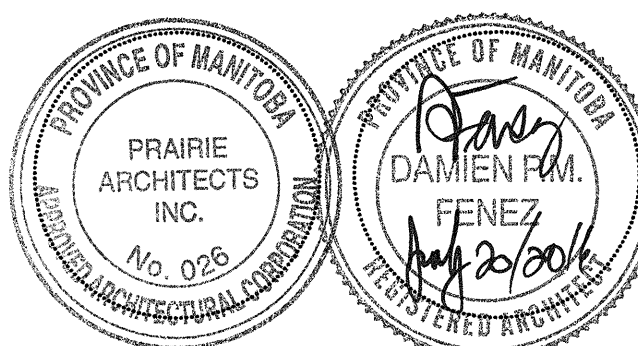
6 ENTRY LOBBY 101  
A7-02 1:50

- INTERIOR ELEVATION KEYNOTES:**
- MIRROR
  - HAND DRYER
  - GRAB BAR
  - LAVATORY, REFER TO MECH
  - HOOK
  - CERAMIC TILE
  - SANITARY NAPKIN DISPOSAL
  - STL COL, REFER TO DETAILS
  - TOILET PAPER DISPENSER, N.I.C.
  - SOAP DISPENSER, N.I.C.
  - CURTAIN TRACK W/ SHOWER CURTAIN
  - ACCESSIBLE FOLDING SHELF
  - HOSE BIBB, REFER TO MECH
  - LOCKERS
  - TACKBOARD
  - RECESSED SOAP DISH
  - SWIMSUIT DRYER (NIC) ROUGH-IN ONLY
  - FOLD-UP SEAT
  - MECH GRILLES, REFER TO MECH
  - RECEPTION DESK, REFER TO DETAILS
  - SEMI-RECESSED WASTE RECEPTACLES
  - RECESS IN WD CEILING ABOVE FOR DOOR OPERATOR
  - GWB FINISH
  - BABY CHANGE STATION
  - SEMI-RECESSED FIRE EXTINGUISHER
  - CHANGE BENCH
  - EXPOSED DUCT, REFER TO MECH
  - LIGHT FIXTURE, REFER TO ELEC
  - INFILL W/ SALVAGED BRICK FROM EXIST BUILDING
  - AUTO DOOR OPERATOR
  - LOCKER ROOM BENCH
  - TOILET/URINAL PARTITION
  - SHOWER VALVE & FAUCET, REFER TO MECH
  - WALL MOUNTED HYDRANT, REFER TO MECH
  - FIRE ALARM ANNUNCIATOR PANEL, REFER TO ELEC
  - ALUMINUM PIN MOUNTED SIGNAGE
  - ENTRY GATE SYSTEM
  - ACRYLIC SIGNAGE W/ DOUBLED ACRYLIC BACKER OFFSET ADHERED TO CMU
  - ALUMINUM RAIL, REFER TO PLAN FOR REMOVABLE SECTIONS
  - EXISTING GLAZING TO REMAIN, MODIFY AT MULLION AS REQ'D FOR NEW WALL
  - EXISTING WOOD TO REMAIN
  - EXISTING BRICK TO REMAIN
  - RAMP & RAILING INTO POOL, REFER TO DETAILS

Issue / rev.

#	date	issue notes
3	2016.07.15	ISSUED FOR CONSTRUCTION
2	2016.06.13	99% REVIEW

professional seals



project information

**SEVEN OAKS POOL  
RENOVATION  
& ADDITION**

444 ADSUM DRIVE  
WINNIPEG, MB  
CANADA

client

CITY OF WINNIPEG  
4TH FLOOR - 85 KING ST.  
WINNIPEG, MB

drawing information

**INTERIOR  
ELEVATIONS**

drawn by: LW  
approved by: DF

scale: 1:50  
date issued: 2016.07.15  
proj. #: 2014.66  
rev. #: R-0

**SEVEN OAKS POOL  
RENOVATION & ADDITION**  
BID OPPORTUNITY NO. 645-2016

**A7  
02**

This drawing must not be scaled. The contractor shall verify all dimensions and other data on site prior to commencement of work. All discrepancies, errors, and omissions are to be reported to the architect. Drawing and specifications, as instruments of service, are the property of the architect. The copyright in the same being reserved to him. No reproduction may be made without the permission of the architect, and when made, must bear his name. All rights to be returned to the architect on request.