

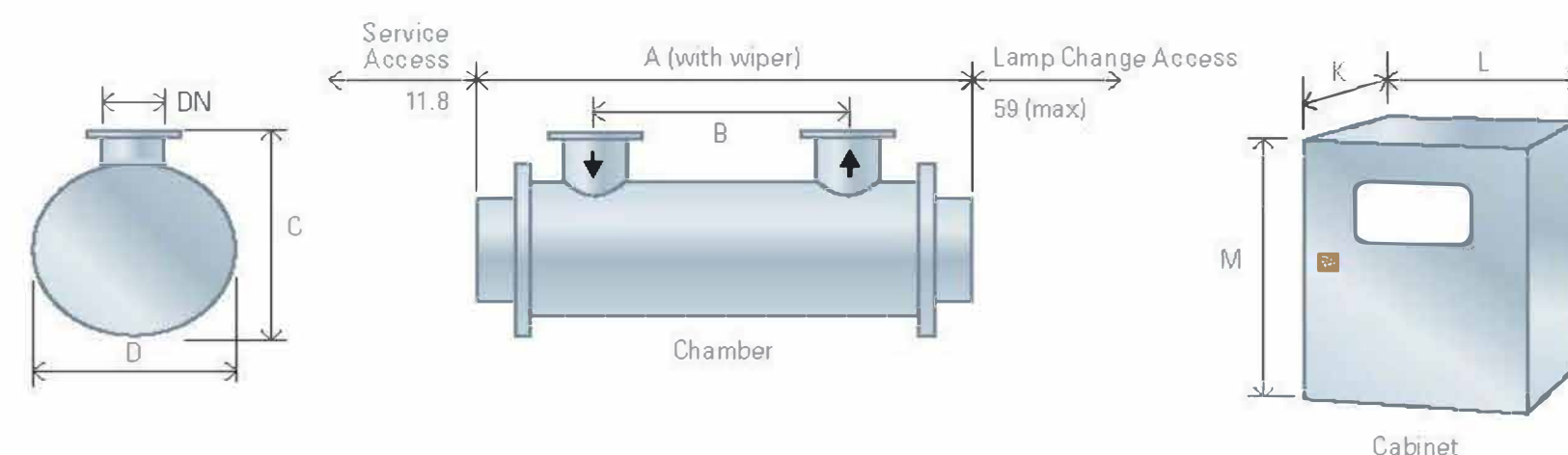
Hanovia SwimLine U - Technical Specification

UV CHAMBER	
Material:	Stainless Steel 316L / 1.4404
Internal Finish:	As made pipe and tube, welds left as laid electro polished and passivated
External Finish:	Sateen polish (120 grit) electro polished and passivated
Process Connections:	Flange ANSI 150 rated
Drain Connection:	NPT
End Plate:	Removable bolted plates
Degree of Protection:	IP65 equivalent to NEMA 4 but not suitable for outside use
Arc Tube (lamp):	Medium pressure / High purity quartz
Arc Tube Enclosure:	High purity quartz
Expected Lamp Life:	4,000 - 8,000 hours
Temp Sensor:	Yes
UV Monitor:	Wet UV monitor (down to minimum T10)
Working Fluid Temp:	+40F to +140F
Operating / Design Pres:	6 bar / 7 bar

CABINET	
Material:	Polyester coated carbon steel
Degree of Protection:	IP54 equivalent to NEMA 12
Supply Voltages:	Up to 2.5KW 95V to 260V (nominal) 50/60Hz 3.5 to 7.0KW 190V to 500V (nominal) 50/60Hz >7.0KW 300V to 500V (nominal) 50/60Hz
Operating Temp Range:	+40F to +105F
Cooling Fans:	Yes
Cable Length:	60ft

Note:
All UV Swim U systems include: GreenSwitch power switching energy-saving, automatic wiper system, UV monitor, stainless steel strainer, temperature sensor, UV chamber, 60' cables from UV chamber to control cabinet

	Max. Treatment Capacity *	Dimensions in inches										Approx. Weight		Power (KW)
		A	B	C	D	DN	K**	L**	M**	Chamber	Cabinet			
Tot Pool UV SwimLine U-152-B3	180usgpm	34	9.5	12.6	9.5	3	15	30	34	100	190	1.2		
Splash Pad UV SwimLine U-150-D6	708usgpm	52	26	12.6	9.5	6	15	30	34	110	190	3.5		



* Maximum treatment capacity is based on 60mj/cm2 average dose measured between 200 and 400 nm for chloramine reduction
** Cabinet dimensions allow for door isolator, cable entry and bracket space

Custom RideHOUSE - Seven Oaks Indoor Pool

SLIDES	Ride Length	Ride Drop	Flow (usgpm)
KIDZ MiniRiver Slide	26.2' / 8.0m	3.5' / 1.07m	200
KIDZ TWISTER	61.3' / 18.7m	8.9' / 2.7m	250

STRUCTURE SPRAYS

Qty	Description	Flow (usgpm)	
1	MiniRiver slide Handrail Sprayer	72	
1	Sliding Bucket	10	
1	Spin Bucket	10	
1	Push/Pull Bucket	10	
1	Paddle Wheel Single	10	
1	Bucket Soaker Single	10	
4	Deck Jet	6	
2	Trigger Water Shooter	15	
2	Open Flow	30	
1	Bar Jet Dual	36	
2	Hose Guard (guard rail)	36	
1	Rainbow Bar Jet (guard rail)	36	
		380	Total Toys Flow

RideHouse - Technical Specification

Material: A36 or equivalent for all plain carbon steel then galvanized
Aluminum is 6061-T6
Stainless steel is 304 or better

Coating: Wet paint on steel or stainless steel
Primer: Epoxy primer (i.e. SICO 577-625)
Color Coat: Acrylic urethane (i.e. SICO RLD-13111)
Clear Coat: Acrylic urethane (i.e. SICO 585-007)

Powder paint on aluminum or stainless steel
Primer: Epoxy primer (i.e. Protech Powder ES142A151)
Color Coat: Durable polyester (i.e. Protech Powder ZS11M87)
Clear Coat: Durable polyester (i.e.. Protech Powder ZZ112C1)

Powder paint on aluminum handrails
Primer: ES142A151
Color coat: DS211xxx
Clear Coat: ZZ112-C1
Textured Clear Coat: PX632C42

Slides: All sliding components are of fiberglass construction. All sections, excluding the entry, are of nominal thickness of 1/4" throughout the body with the flanges 5/16" thick. The entry station is 3/8" thick nominally throughout.

All sections are joined by means of "L" type flanges minimum 3" wide and held together with stainless steel bolts with oversize washers at each bolt. A sealant/adhesive shall be installed at each joint to prevent water leakage and shall be left flush with flume surface, no slop-over permitted.

Gel coating shall be NPG Isothalic-Neo penta glycol tailored for marine use and resistant to ultraviolet and chlorine exposure.

Flume joint connections shall not have more than 1/64" difference between flanges on the riding surface, with the uphill joint higher than the downhill joint.

GENERAL NOTES

DRAWINGS AND SPECIFICATIONS AS INSTRUMENTS OF SERVICE ARE THE PROPERTY OF WESTERN RECREATION AND DEVELOPMENT INC. AND SHALL NOT BE USED, REPRODUCED, MODIFIED OR SOLD EITHER WHOLLY OR IN PART, WITHOUT THEIR PERMISSION PATENT # CA2357509

SOME ITEMS DRAWN OR INDICATED ON THIS PLAN ARE NOT INCLUDED IN THE CONTRACT PRICE.

1.	ADDENDUM 1	08.16.16
No.	REVISION	DATE

FIRM NAME AND ADDRESS
Western Recreation & Development Inc.
191 Eagle Dr
Winnipeg, Manitoba R2R 1V4
Tel : 1-204-633-7209
Fax: 1-204-633-9293
E-mail: info@waterparks.ca
www.waterparks.ca

PROJECT NAME AND ADDRESS
SEVEN OAKS POOL RENOVATION AND ADDITION
WINNIPEG MANITOBA

DRAWING SPECIFICATION	SHEET SP-3
DATE AUGUST 16 /2016	CHECKED BY B.D.
SCALE AS SHOWN	DRAWN BY A.C.