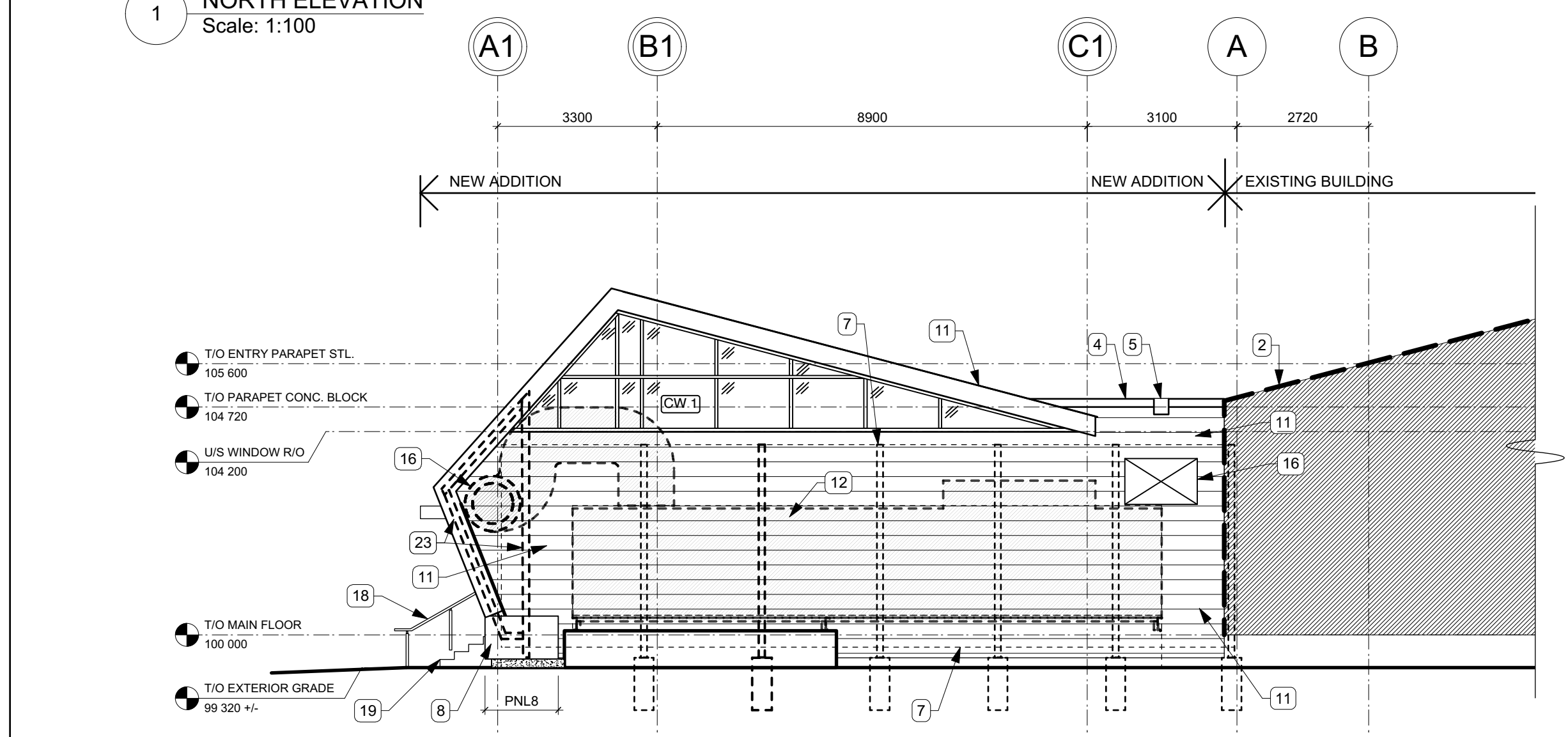
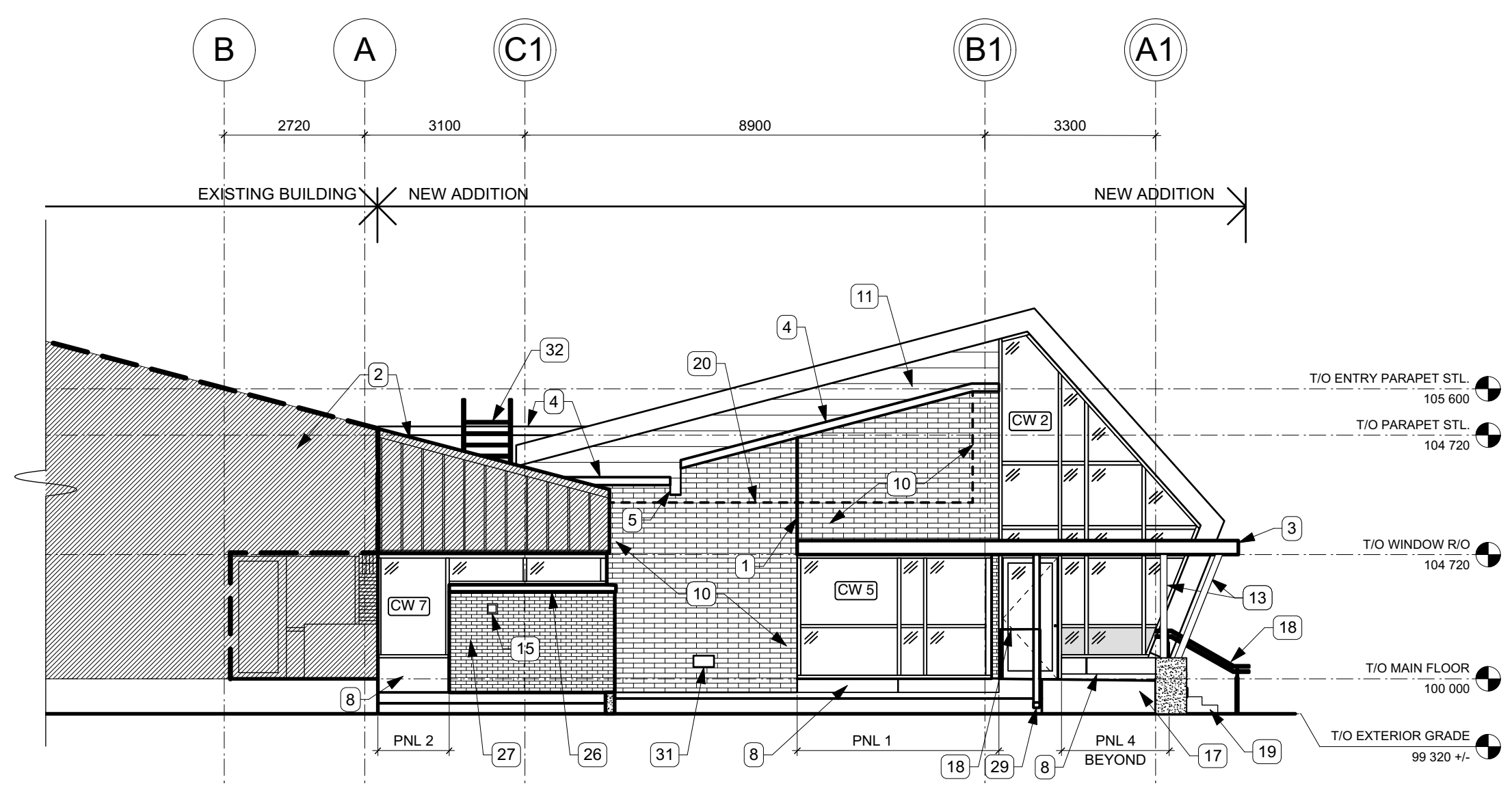


1 NORTH ELEVATION  
Scale: 1:100

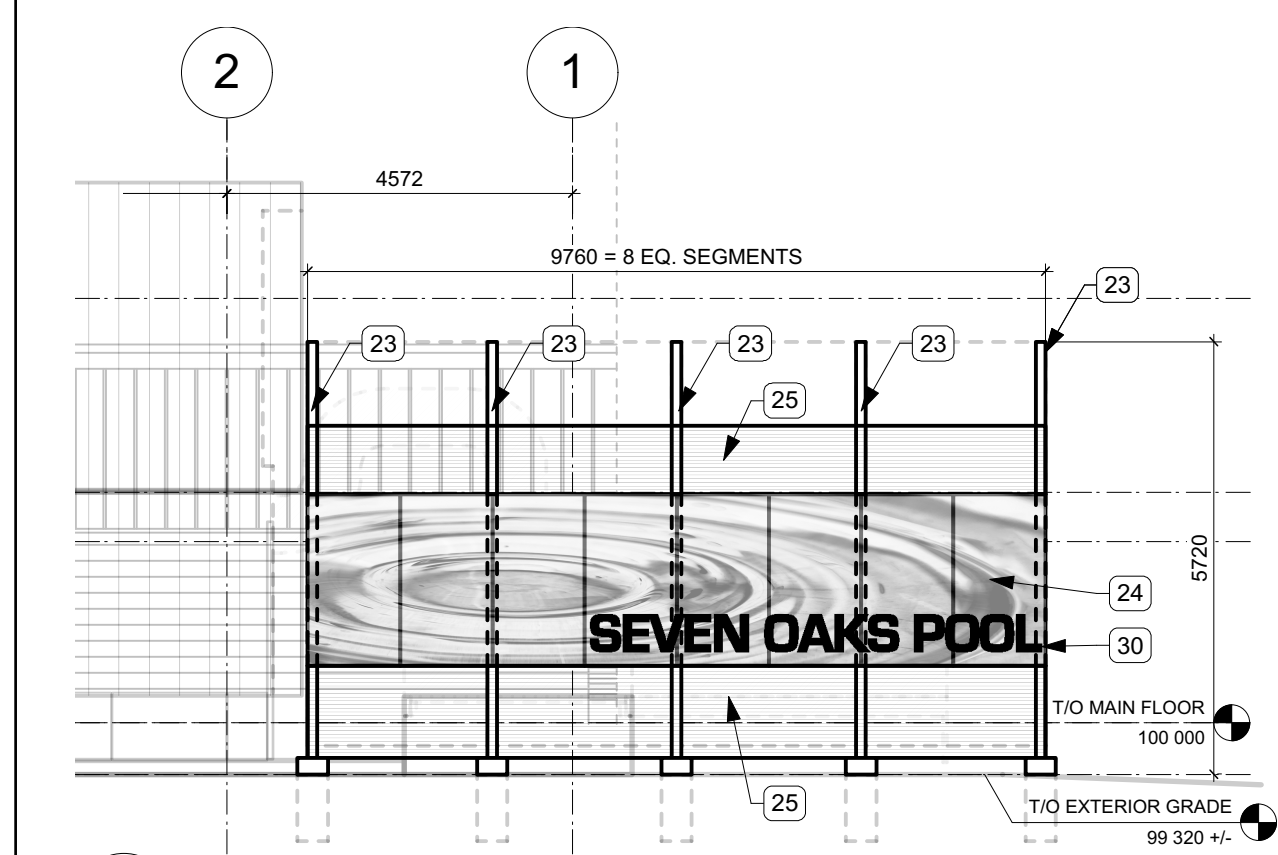


2 WEST ELEVATION  
Scale: 1:100

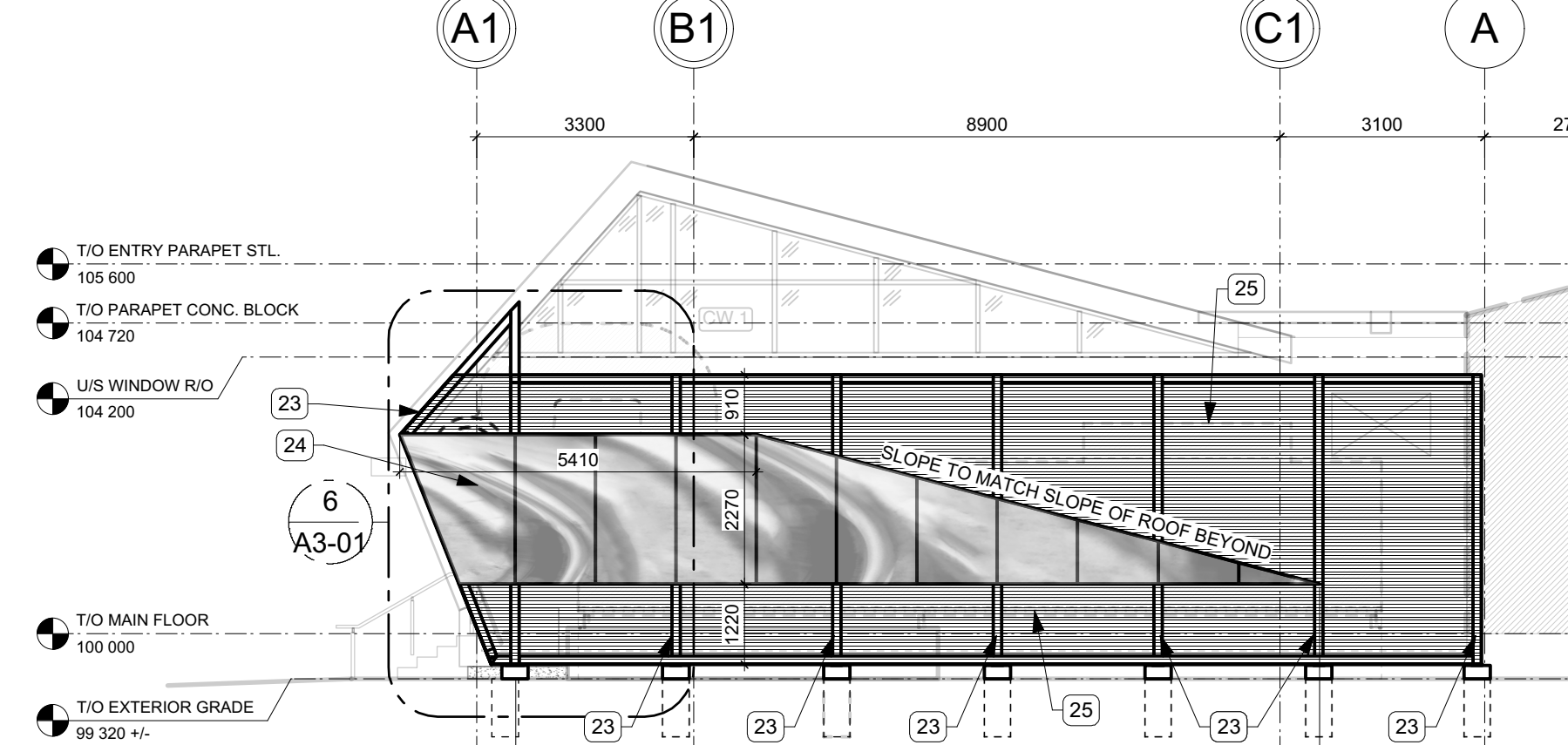


3 EAST ELEVATION  
Scale: 1:100

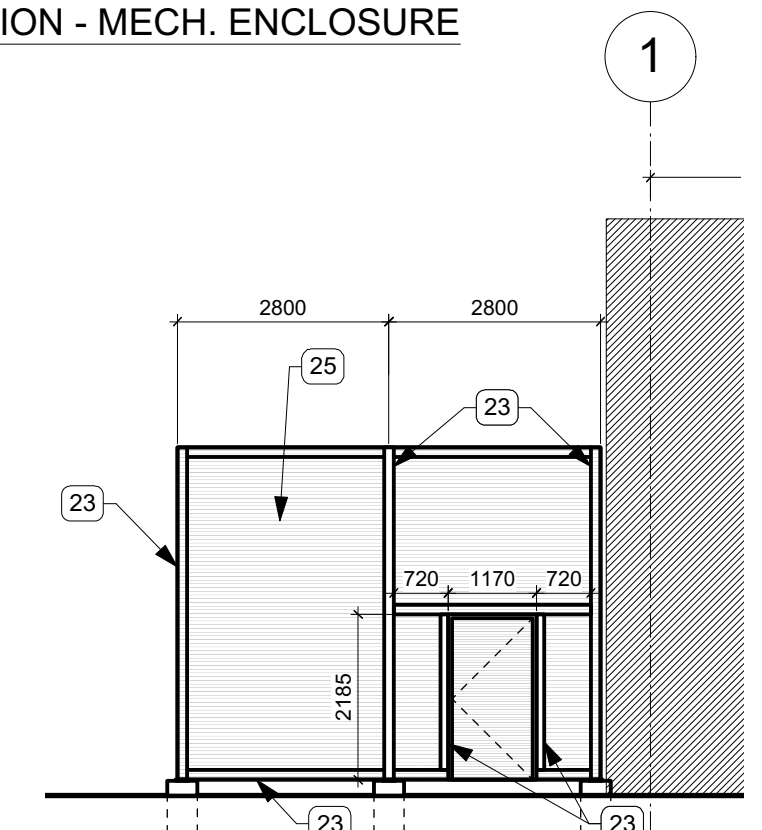
- EXTERIOR ELEVATION KEYNOTES:**
- MASONRY CONTROL JOINT.
  - EXISTING BUILDING/ ROOF BEYOND TO REMAIN.
  - ENTRY CANOPY.
  - PREFIN. MTL. CAP FLASHING.
  - PREFIN. MTL. OVERFLOW SCUPPER.
  - PREFIN. MTL. ROOFING & CLADDING - STANDING SEAM.
  - DASHED LINE OF MECH. EQUIPMENT ENCLOSURE.
  - PRECAST CONC. PANELS.
  - TONE INDICATES TRANSLUCENT GLAZING UNITS (TGU). REFER TO GLAZING SCHEDULE.
  - TERAZZO BLOCK CONCRETE MASONRY UNITS
  - PREFIN. MTL. WALL CLADDING.
  - MECHANICAL UNIT. REFER TO MECH.
  - STRUCTURAL. REFER TO STRUCT.
  - ALUM. EXTERIOR SIGNAGE. REFER TO SPEC.
  - EXTERIOR LIGHTING. REFER TO ELEC.
  - EXTERIOR MECH. DUCT. REFER TO MECH.
  - SLOPED CONCRETE WALKWAY. REFER TO LANDSCAPE & STRUCT.
  - HANDRAIL. REFER TO LANDSCAPE.
  - EXTERIOR CONCRETE STAIR. REFER TO STRUCT. + LANDSCAPE.
  - DASHED LINE INDICATES EXTERIOR EDGE OF WALL / ROOF BEYOND.
  - AUTO-DOOR OPERATOR ACTUATOR BUTTON. COORDINATE W/ ELEC.
  - EXISTING FIRE DEPARTMENT CONNECTION. TO REMAIN.
  - MECH. ENCLOSURE - GALV. STRUCT. STL. FRAME ON CONC. FDN. , SEE STRUCT.
  - FENCE CLADDING TYPE F2 - MTL. CLADDING CW CUSTOM PERFORATED PATTERN.
  - FENCE CLADDING TYPE F1 - PREFIN. PANEL CLADDING.
  - PRECAST CONC. SILL.
  - BRICK VENEER CLADDING - TYPE B
  - STREET NUMBER.
  - RWL DOWNSPOUT.
  - ALUM. LETTERING PIN MOUNTED TO PERF. PANEL.
  - HOSE BIB. REFER TO MECH.
  - SAFETY ACCESS STAIR & LADDER.



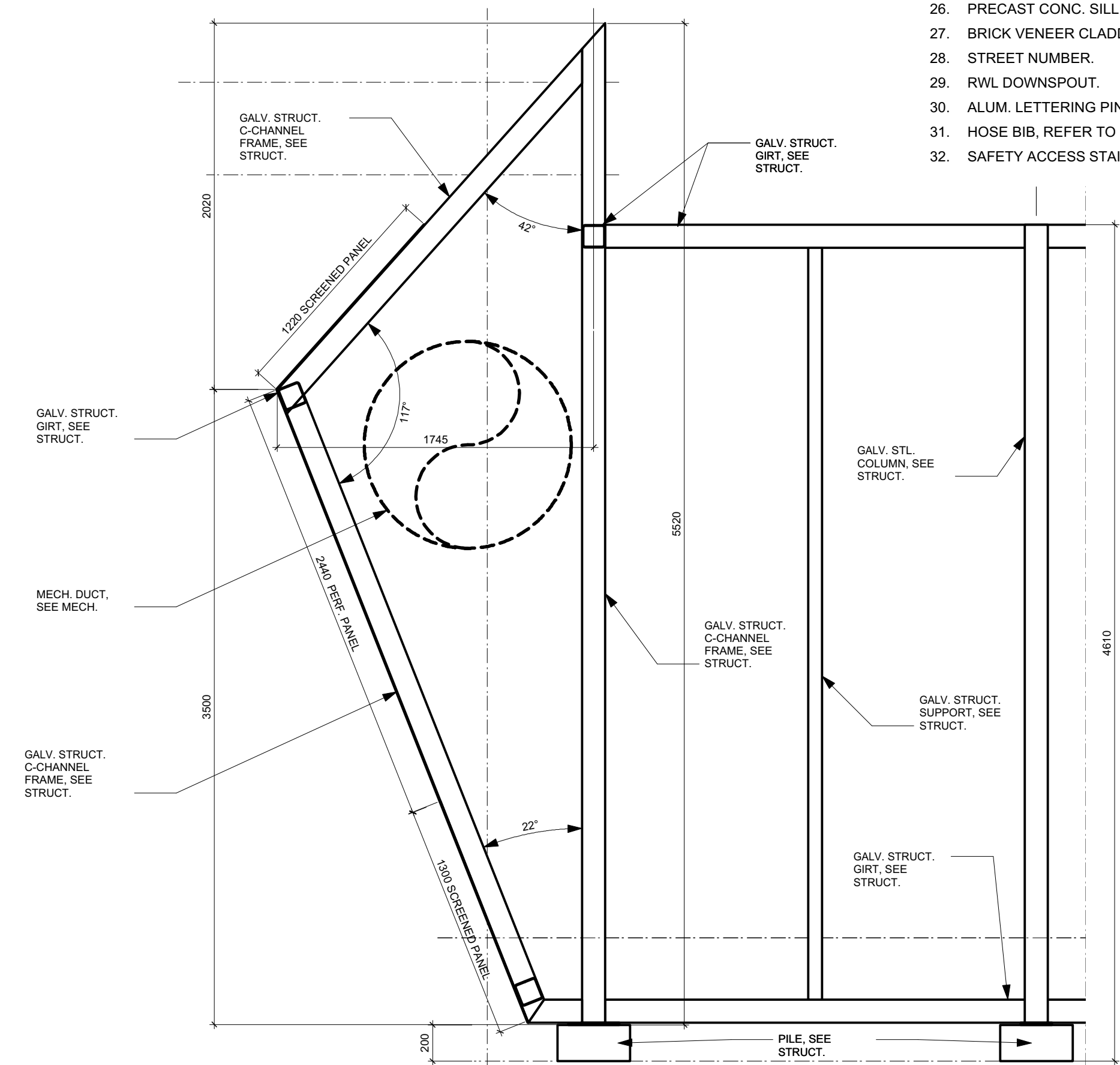
4 PARTIAL NORTH ELEVATION - MECH. ENCLOSURE  
Scale: 1:100



5 PARTIAL WEST ELEVATION - MECH. ENCLOSURE  
Scale: 1:100



6 PARTIAL SOUTH ELEVATION - MECH. ENCLOSURE  
Scale: 1:100



7 MECH. ENCLOSURE STRUCT. FRAME - DETAIL  
Scale: 1:25

issue / rev.

issue	rev.	date	issue notes
5	2016.08.16	addendum 01	
4	2016.07.15	ISSUED FOR CONSTRUCTION	

professional seals

project information

**SEVEN OAKS POOL RENOVATION & ADDITION**  
444 ADSUM DRIVE  
WINNIPEG, MB  
CANADA

client

CITY OF WINNIPEG  
4TH FLOOR - 85 KING ST.  
WINNIPEG, MB

drawing information

EXTERIOR ELEVATIONS

drawn by: LW  
approved by: DF

scale: 1:100  
date issued: 2016.07.15  
proj. #: 2014.66  
rev. #: R-0

**A3**  
**01**

This drawing must not be scaled. The contractor shall verify all dimensions and other data on site prior to commencement of work. All discrepancies, errors, and omissions are to be reported to the architect. Drawing and specifications, in instruments of service, are the property of the architect. No reproduction may be made without the permission of the architect. All rights reserved. All printed to be returned to the architect on request.