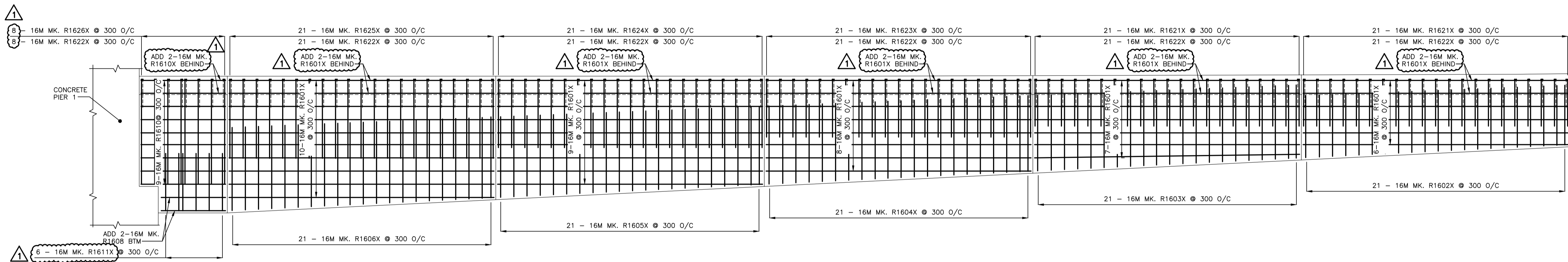
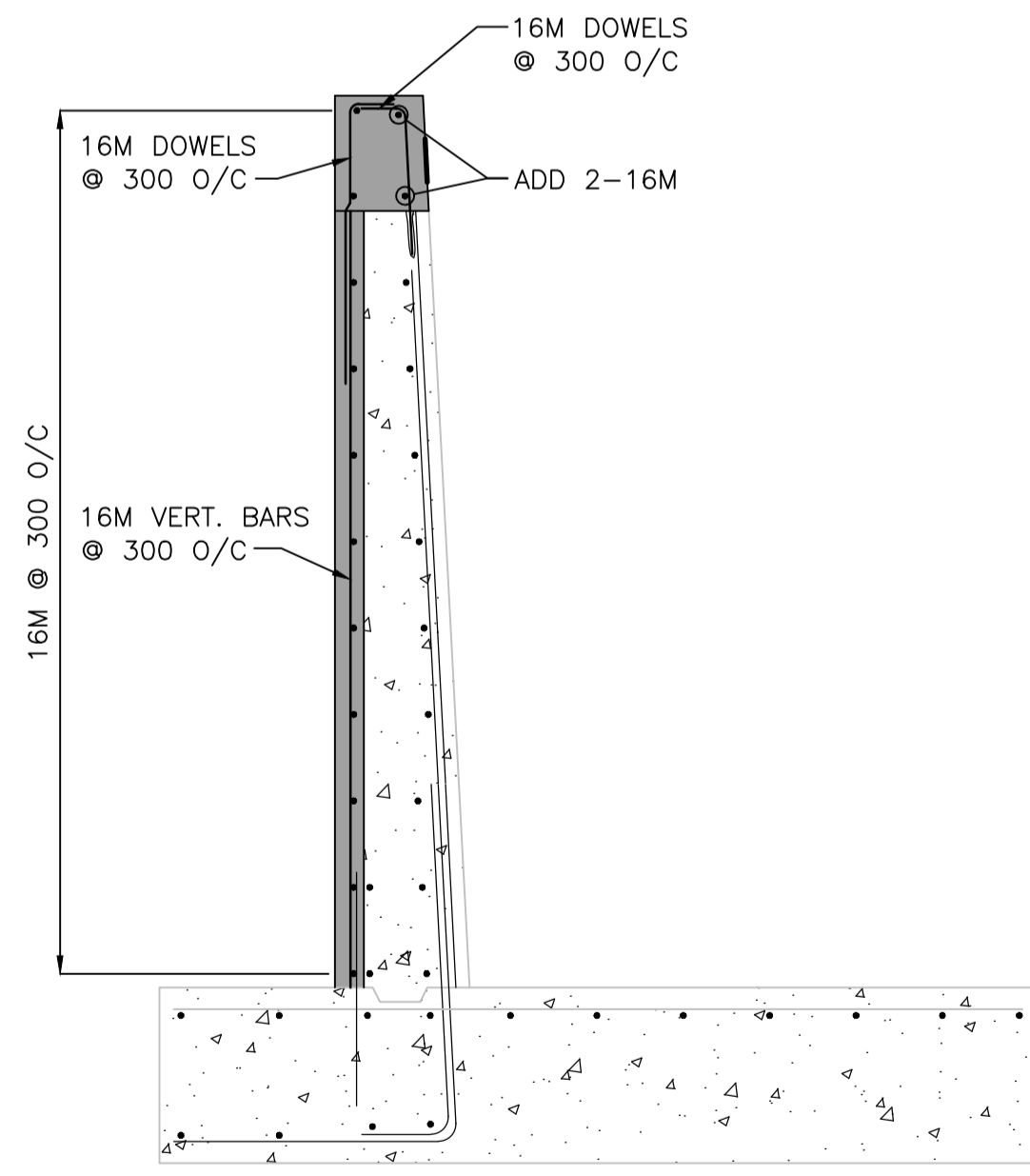


**SOUTH WEST RETAINING WALL  
REFACING REINFORCING**  
1:50



**NORTH WEST RETAINING WALL  
REFACING REINFORCING**  
1:50



**TYPICAL REFACING REINFORCING**  
1:25

<p>LOCATION APPROVED UNDERGROUND STRUCTURES</p> <p>SUPV. U/G STRUCTURES COMMITTEE DATE</p> <p>NOTE: LOCATION OF UNDERGROUND STRUCTURES AS SHOWN ARE BASED ON THE BEST INFORMATION AVAILABLE BUT NO GUARANTEE IS GIVEN THAT ALL EXISTING UTILITIES ARE SHOWN OR THAT THE GIVEN LOCATIONS ARE EXACT. CONFIRMATION OF EXISTENCE AND EXACT LOCATION OF ALL SERVICES MUST BE OBTAINED FROM THE INDIVIDUAL UTILITIES BEFORE PROCEEDING WITH CONSTRUCTION.</p>		<p>B.M. ELEV.</p>	
<p>1 ISSUED FOR ADDENDUM No.1 16.07.13 K.A.</p> <p>0 ISSUED FOR TENDER 16.07.04 K.A.</p>		<p>DESIGNED BY S.Y. CHECKED BY K.S.A.</p> <p>DRAWN BY V.F. APPROVED BY B.J.W.</p> <p>HOR. SCALE: AS NOTED VERTICAL: RELEASED FOR CONSTRUCTION: DATE</p>	
<p>NO. REVISIONS DATE BY</p>		<p>DATE 2016.07.04</p>	

**Stantec**  
500 - 311 Portage Avenue, Winnipeg MB Canada  
www.stantec.com

ENGINEER'S SEAL

**THE CITY OF WINNIPEG  
PUBLIC WORKS DEPARTMENT  
ENGINEERING DIVISION**

<p>2016 REGIONAL STREET PROGRAM ARCHIBALD STREET UNDERPASS REHABILITATION WEST RETAINING WALL REINFORCING DETAILS</p>		<p>SHEET 49 OF 62</p>	
<p>CONSULTANT DRAWING NO. S-133</p>		<p>CAD FILE DRAWING NUMBER 06880s-132-884.dwg</p> <p>CITY DRAWING NUMBER U205-16-49</p>	