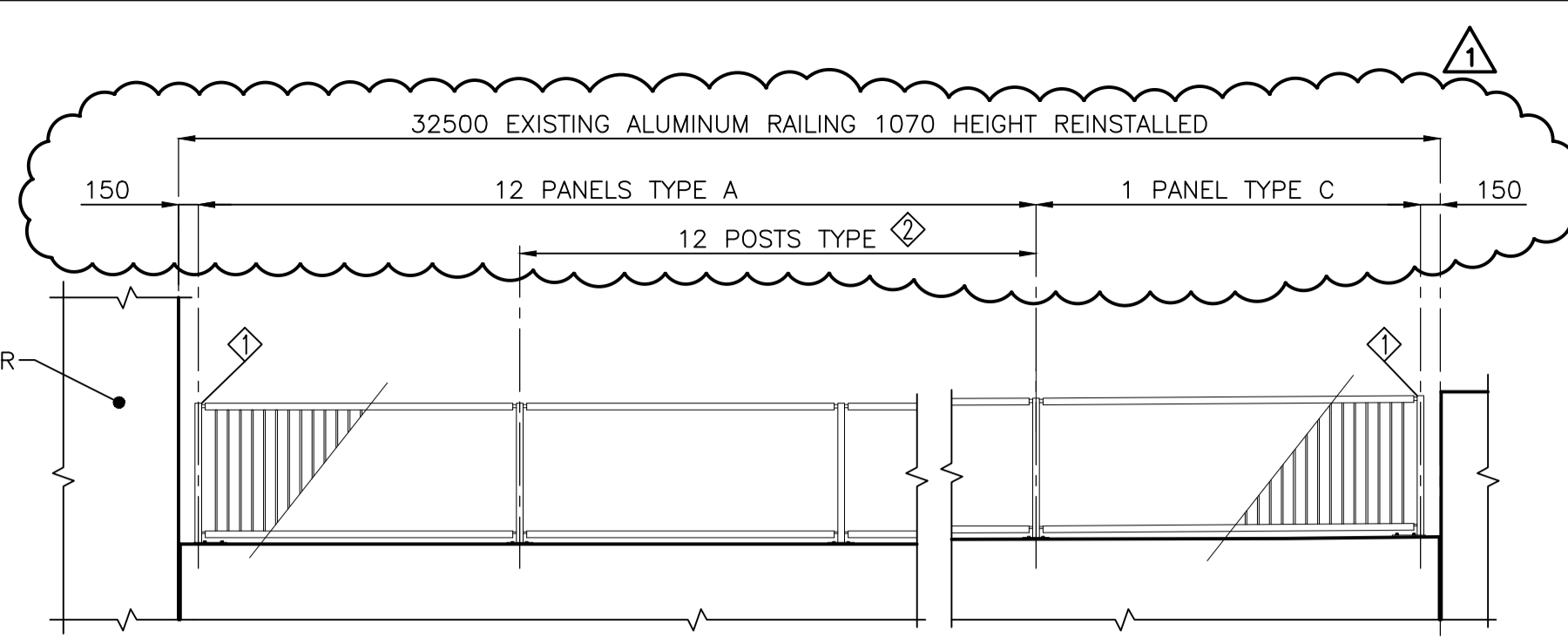
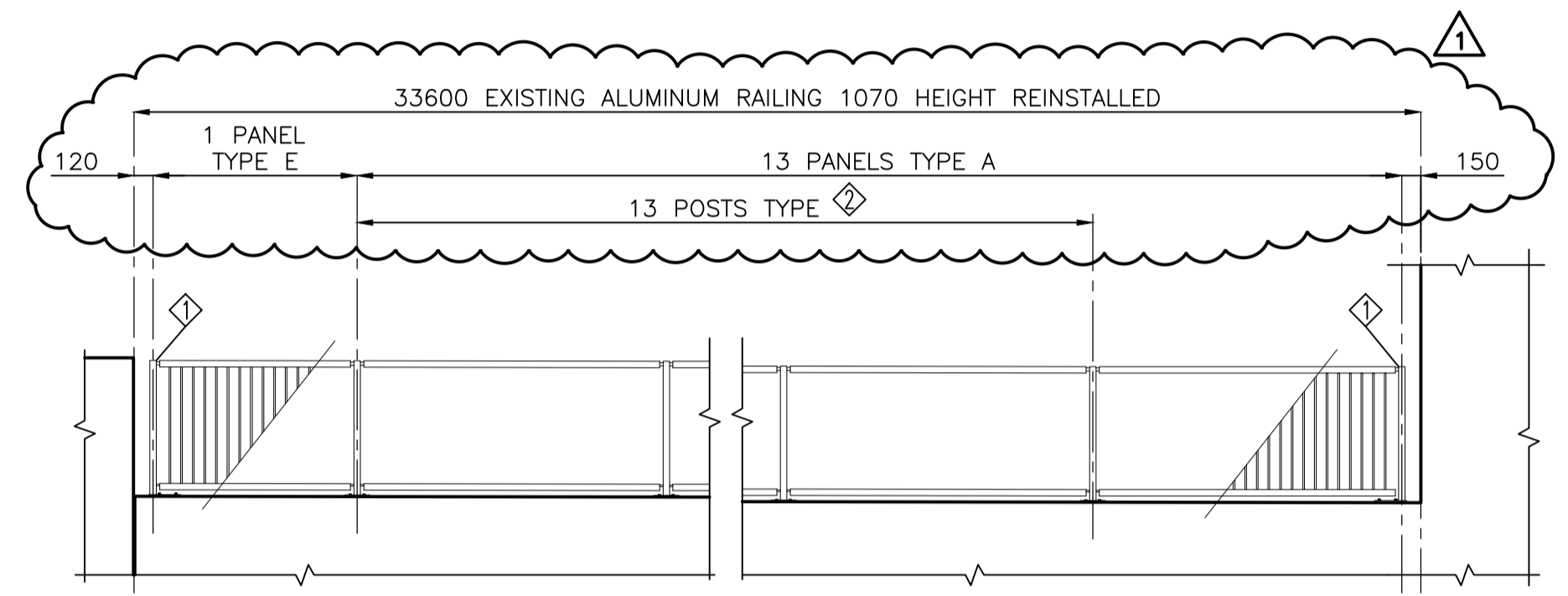


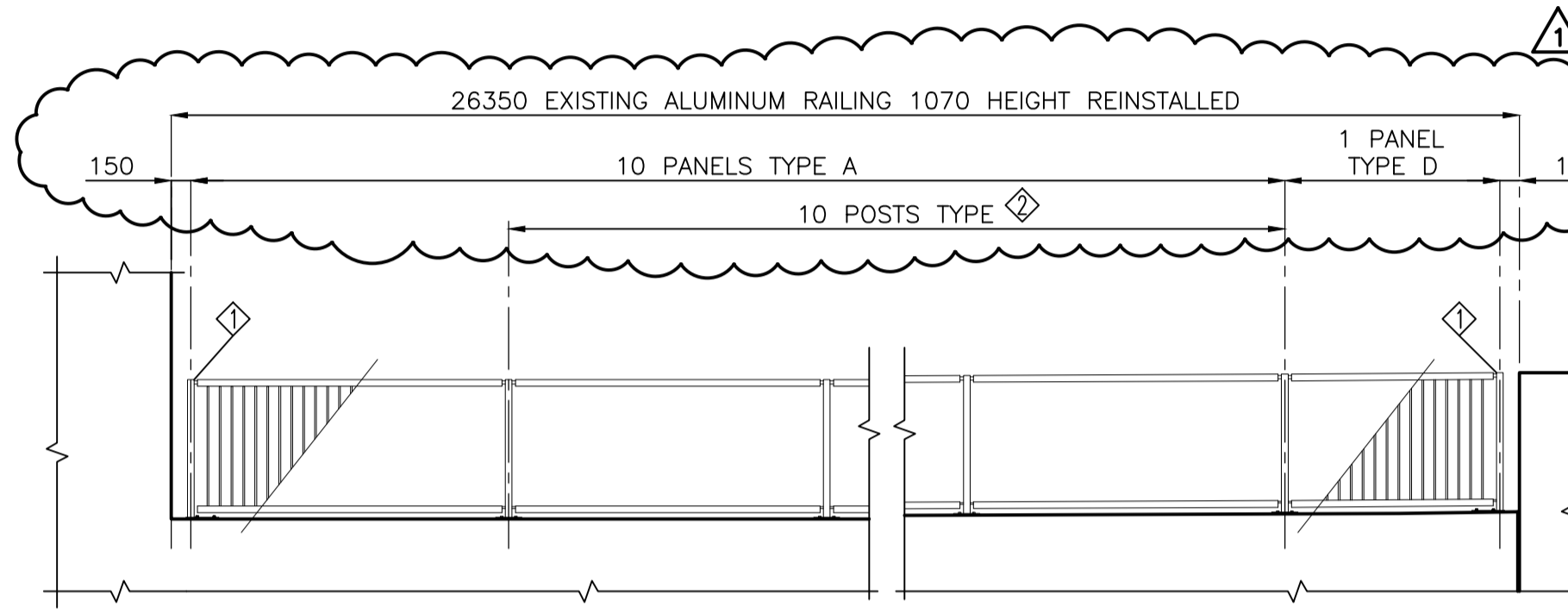
SOUTHWEST GUARDRAIL ARRANGEMENT
1:50



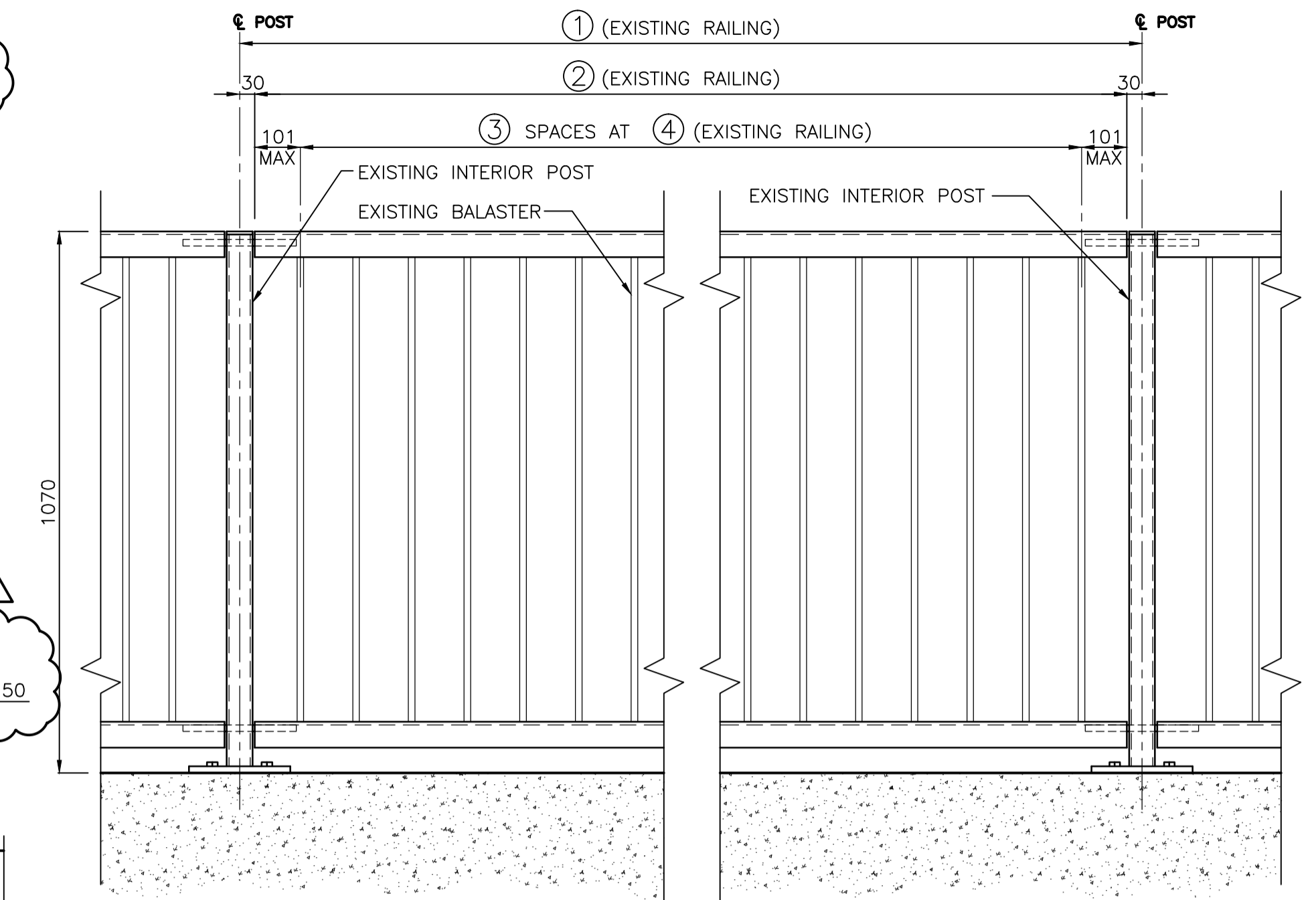
NORTHWEST GUARDRAIL ARRANGEMENT
1:50



SOUTHEAST GUARDRAIL ARRANGEMENT
1:50



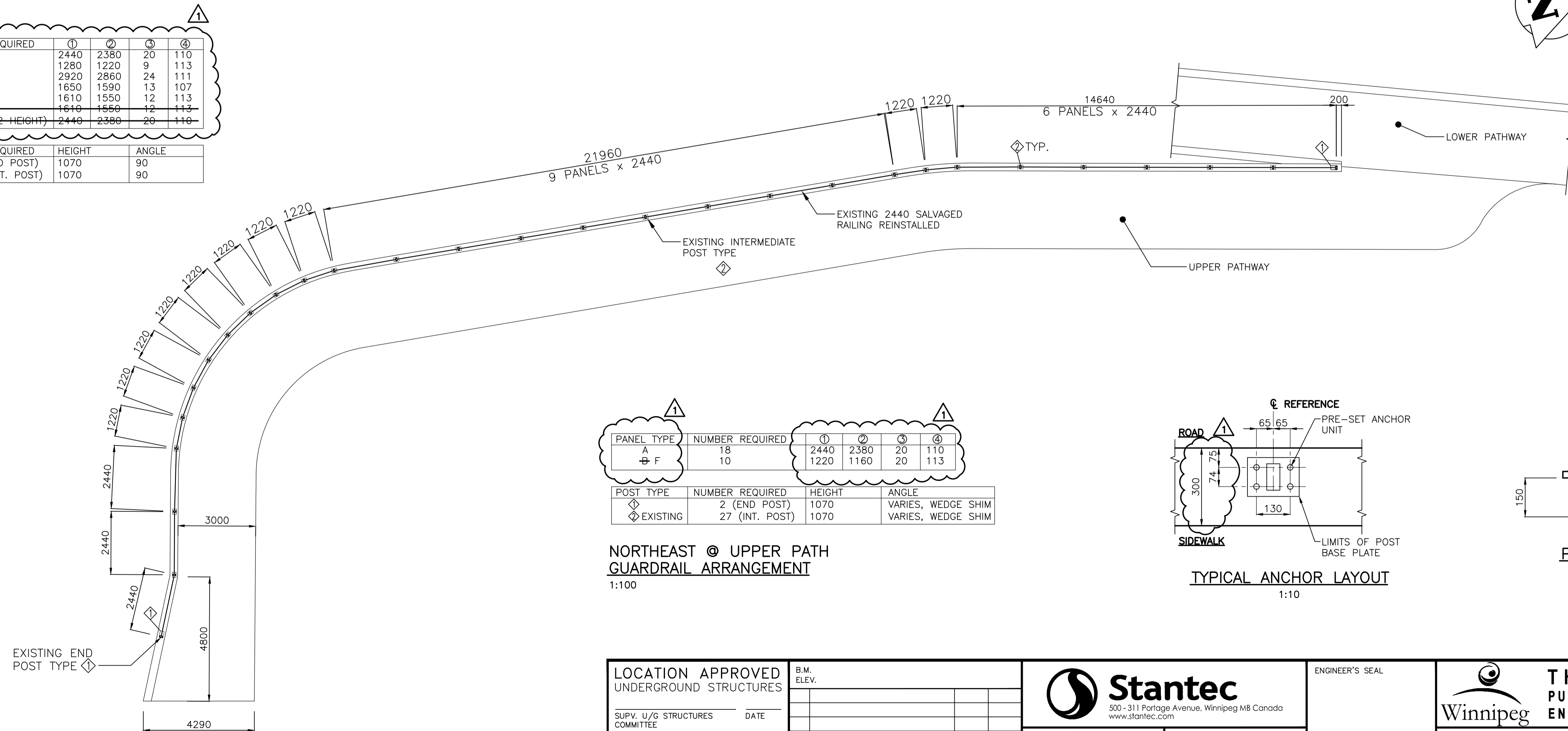
NORTHEAST GUARDRAIL ARRANGEMENT
1:50



TYP. EXISTING PANEL ELEVATION
1:10

PANEL TYPE	NUMBER REQUIRED	①	②	③	④
A	48	2440	2380	20	110
B	1	1280	1220	9	113
C	1	2920	2860	24	111
D	1	1650	1590	13	107
E	1	1610	1550	12	113
F	1	1610	1550	12	113
G	21(1/2 HEIGHT)	2440	2380	20	110

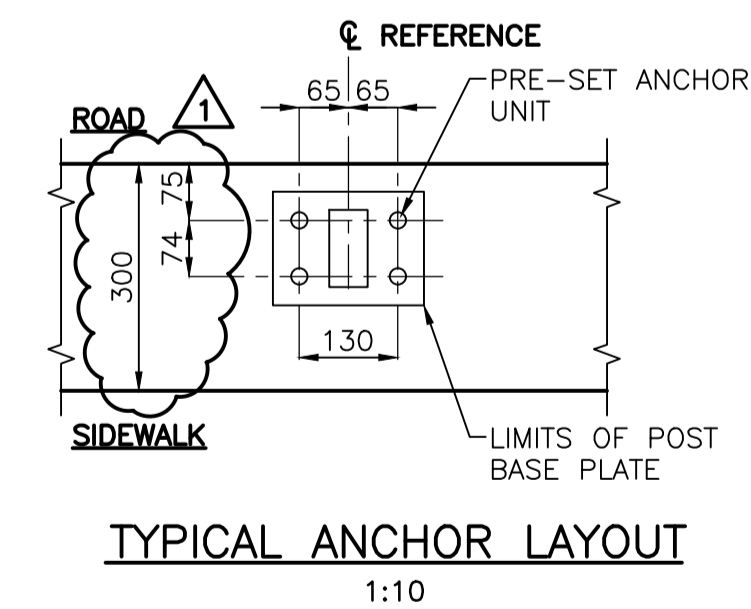
POST TYPE	NUMBER REQUIRED	HEIGHT	ANGLE
◇ EXISTING	8 (END POST)	1070	90
◇ EXISTING	48 (INT. POST)	1070	90



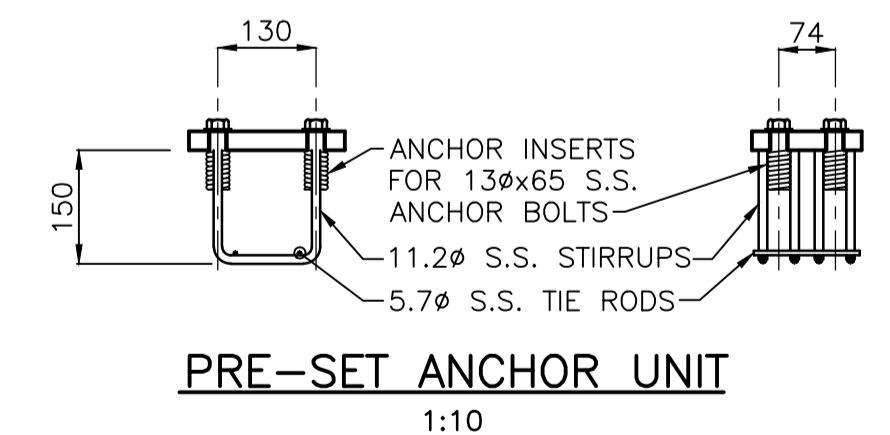
PANEL TYPE	NUMBER REQUIRED	①	②	③	④
A	18	2440	2380	20	110
F	10	1220	1160	20	113

POST TYPE	NUMBER REQUIRED	HEIGHT	ANGLE
◇ EXISTING	2 (END POST)	1070	VARIES, WEDGE SHIM
◇ EXISTING	27 (INT. POST)	1070	VARIES, WEDGE SHIM

NORTHEAST @ UPPER PATH GUARDRAIL ARRANGEMENT
1:100



TYPICAL ANCHOR LAYOUT
1:10



PRE-SET ANCHOR UNIT
1:10

LOCATION APPROVED UNDERGROUND STRUCTURES		B.M. ELEV.	
SUPV. U/G STRUCTURES COMMITTEE		DATE	
NOTE: LOCATION OF UNDERGROUND STRUCTURES AS SHOWN ARE BASED ON THE BEST INFORMATION AVAILABLE BUT NO GUARANTEE IS GIVEN THAT ALL EXISTING UTILITIES ARE SHOWN OR THAT THE GIVEN LOCATIONS ARE EXACT. CONFIRMATION OF EXISTENCE AND EXACT LOCATION OF ALL SERVICES MUST BE OBTAINED FROM THE INDIVIDUAL UTILITIES BEFORE PROCEEDING WITH CONSTRUCTION.			
NO.	REVISIONS	DATE	BY
1	ISSUED FOR ADDENDUM No.1	16.07.13	K.S.A.
0	ISSUED FOR TENDER	16.07.04	K.S.A.

Stantec 500 - 311 Portage Avenue, Winnipeg MB Canada www.stantec.com		ENGINEER'S SEAL	
DESIGNED BY	S.Y.	CHECKED BY	K.S.A.
DRAWN BY	V.F.	APPROVED BY	B.J.W.
HOR. SCALE:	AS NOTED	RELEASED FOR CONSTRUCTION:	
VERTICAL:		DATE	2016.02.19

CONSULTANT DRAWING NO.	S-127
------------------------	-------

THE CITY OF WINNIPEG
PUBLIC WORKS DEPARTMENT
ENGINEERING DIVISION

2016 REGIONAL STREET PROGRAM

ARCHIBALD STREET
UNDERPASS REHABILITATION
ALUMINUM PEDESTRIAN GUARDRAIL LAYOUT

SHEET 43 OF 62
CAD FILE DRAWING NUMBER 06880s-119-884.dwg
CITY DRAWING NUMBER U205-16-43