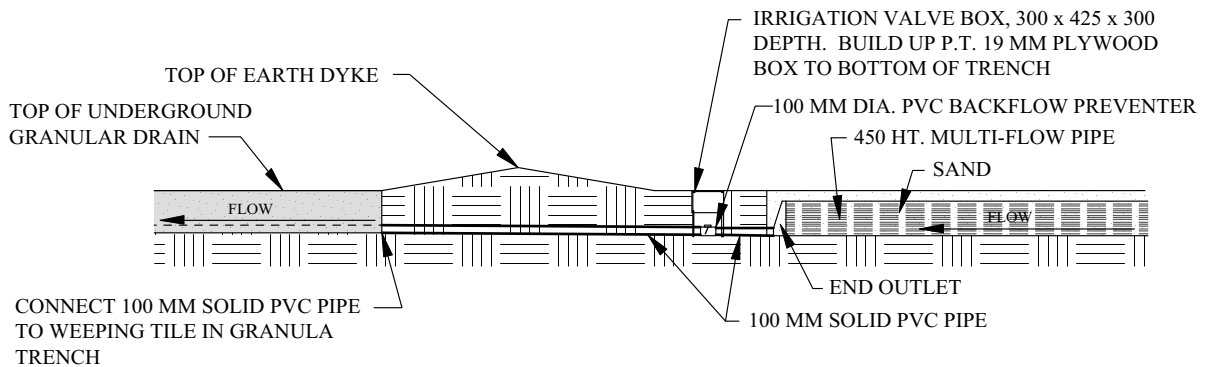


1 MULTI-FLOW CONNECTION PLAN VIEW
L6 Scale: 1:100



2 SCHEMATIC TRENCH SECTION/CONNECTION
L6 Scale: 1:100

PROJECT TITLE
STURGEON ROAD
ATHLETIC FIELDS

DRAWING TITLE
MULTI-FLOW CONNECTION

KEN RECH LANDSCAPE ARCHITECTS INC.
1480 Wellington Crescent Winnipeg Manitoba
kenrech@mts.net R3N 0B3 Tel: (204) 489-6616

NO.	REVISIONS	BY	DATE
DRAWN BY K. Rech		SCALE 1:100	
PRINT DATE Feb. 10, 2016		DATE Jan. 11, 2016	
FILE NO. 15-15		REVISION 0	

SHEET NO.

L6