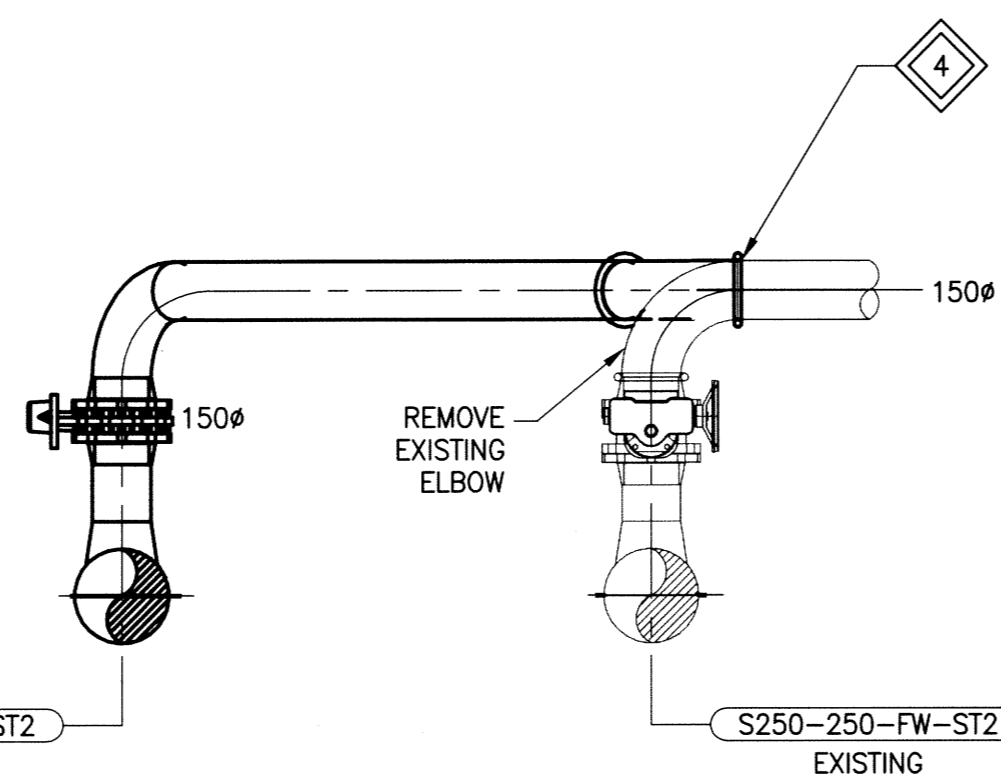
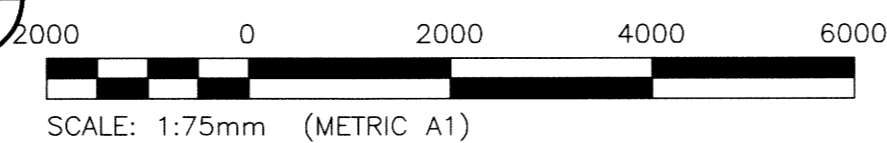
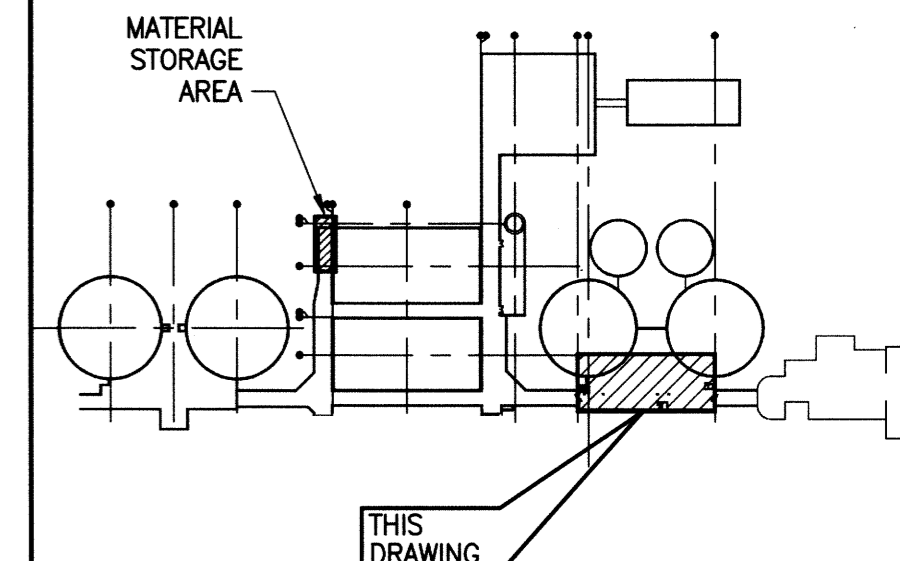
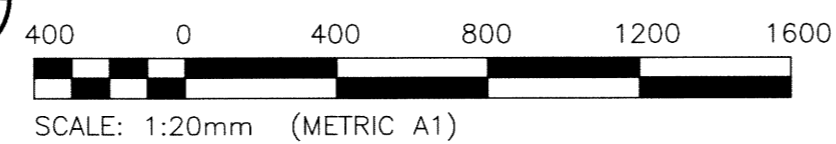


4 PART PLAN - PRIMARY PUMP ROOM LOWER LEVEL



A SECTION



KEYPLAN: N.T.S.

GENERAL NOTES:

1. REFER TO DRAWING M14 FOR GENERAL NOTES.

KEYNOTES:

- 1 CONNECT TO EXISTING 38φ LINE TO FW HOSE STATION.
- 2 CONNECT TO EXISTING 65φ FW LINE UPSTREAM OF PRESSURE REGULATING VALVE.
- 3 CONNECT TO EXISTING 38φ FW LINE.
- 4 CONNECT TO EXISTING 150φ FW LINE AT GROOVED COUPLING.
- 5 NEW 250φ FW HEADER TO BE INSTALLED IN SAME LOCATION AS EXISTING HEADER AND EXISTING PIPE SUPPORTS TO BE REUSED FROM THIS POINT EASTWARD.
- 6 REMOVE EXISTING 250φ FW HEADER AND SEAL WALL PENETRATION WITH NON SHRINK GROUT.
- 7 PROVIDE NEW PENETRATION IN CONCRETE BLOCK WALL AND FIRESTOP.
- 8 ROUTE NEW LINE THROUGH EXISTING WALL PENETRATION AND FIRESTOP.
- 9 PROVIDE NEW PENETRATION IN CONCRETE BLOCK WALL FOR TEMPORARY PIPE AND FIRESTOP. FOLLOWING PIPE REMOVAL, SEAL OPENING WITH NON SHRINK GROUT, SIKAGROUT 212R.
- 10 NEW 250φ FW HEADER TO BE INSTALLED IN NEW LOCATION c/w NEW HANGER SUPPORTS FROM THIS POINT WESTWARD. SUPPORT PIPE EVERY 6m AT CONCENTRATED LOADS AND AT CHANGES IN DIRECTION.
- 11 PROVIDE SWAY BRACE ON NEW 250φ FW HEADER. REFER TO DWG. M15 FOR DETAILS.
- 12 INSTALL BLIND FLANGE ON VALVE FOLLOWING REMOVAL OF TEMPORARY LINE.
- 13 FIELD ROUTE TEMPORARY 100φ FW HEADER. SUPPORT ON NEW HANGERS EVERY 5m, AT CONCENTRATED LOADS, AND AT DIRECTION CHANGES.
- 14 PROVIDE NEW 75φ TEE c/w BLIND FLANGE.

TUNNEL PIPING CONTINUED ON DWG. 1-0103S-M0040-001

CONT. ON DWG. 1-0103S-M0038-002

METRIC

WHOLE NUMBERS INDICATE MILLIMETRES
DECIMALIZED NUMBERS INDICATE METRES



FIELD BOOK #				ENGINEER'S SEAL	
POSTED TO LBIS					
DESIGNED BY	JS	CHECKED BY	MSK		M17
DRAWN BY	JFS	APPROVED BY	JS		
1 RE-ISSUED FOR CONSTRUCTION 16/05/31 JS		HOR. SCALE AS NOTED		RELEASED FOR CONSTRUCTION	
0 ISSUED FOR CONSTRUCTION 16/05/09 JS		VERTICAL AS NOTED		DATE 2016 02 22	
NO. REVISIONS		DATE		DATE 2016 05 09	

THE CITY OF WINNIPEG
WATER AND WASTE DEPARTMENT

WEWPCC FW PIPE REPLACEMENT

MECHANICAL
PRIMARY PUMP ROOM LOWER LEVEL
FW PIPING - PLAN

SHEET 1 OF 1
CITY DRAWING NUMBER
1-0103S-M0039-001