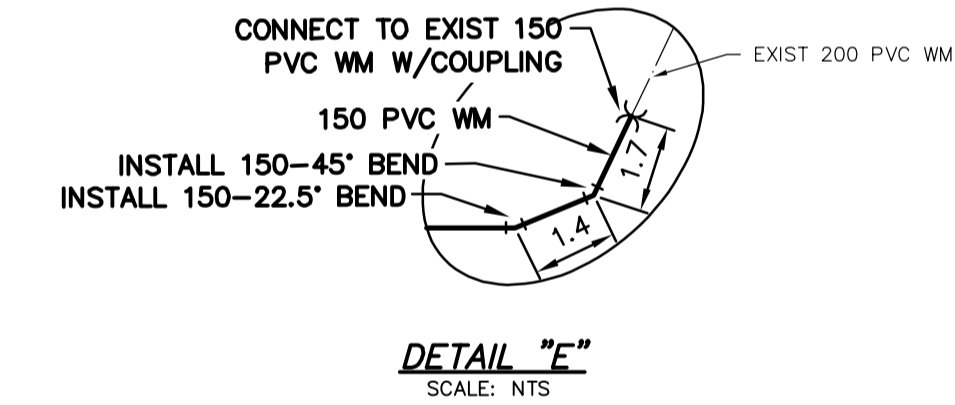
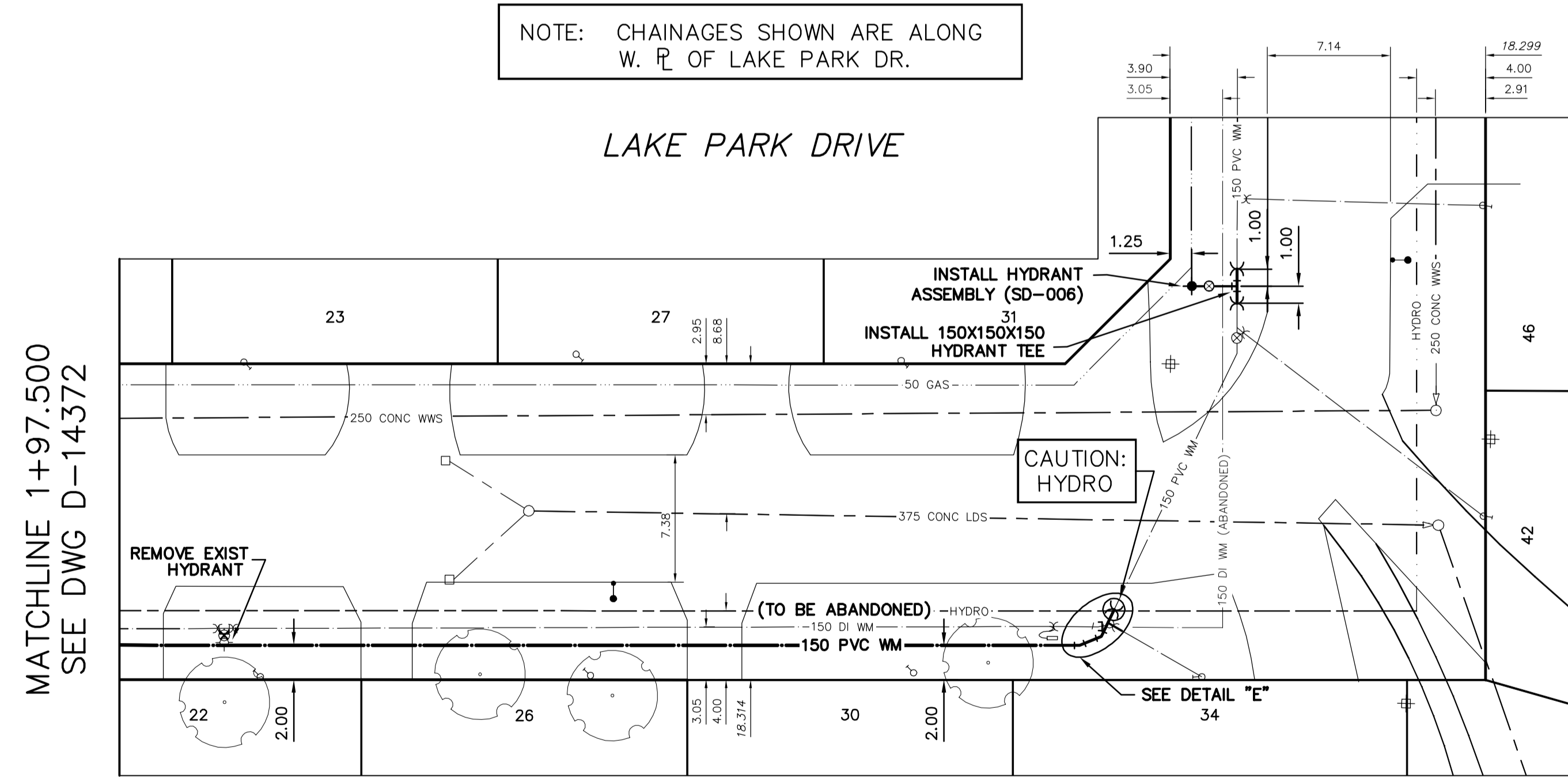


NOTE: CHAINAGES SHOWN ARE ALONG W. R. OF LAKE PARK DR.



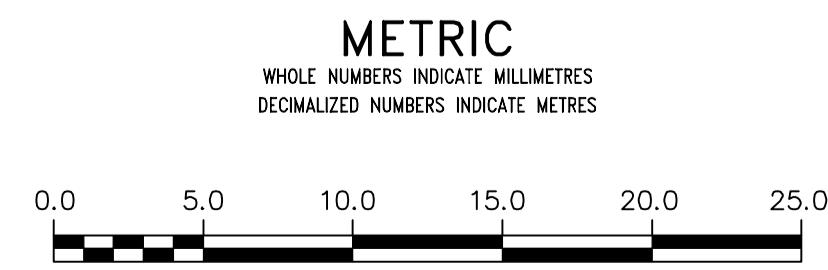
WATER SERVICE INFORMATION

ADDRESS	SIZE (mm) MATERIAL (STREET)	SIZE (mm) MATERIAL (PROP.)	SHORT & LONG MEASUREMENT	CORP. LOCATION	REMARKS
23 LAKE PARK DR RESIDENTIAL	-	20	2.67 SNL HSE	-	RECONNECT SERVICE
27 LAKE PARK DR RESIDENTIAL	-	20	3.23 SNL HSE	-	RECONNECT SERVICE
31 LAKE PARK DR RESIDENTIAL	-	20	2.89 SNL HSE	-	RECONNECT SERVICE
31 LAKE PARK DR RESIDENTIAL	-	20	1.39.62 SSL VERMILLION RD	-	RECONNECT SERVICE
22 LAKE PARK DR RESIDENTIAL	-	20	3.72 NSL HSE	-	RECONNECT SERVICE
26 LAKE PARK DR RESIDENTIAL	-	20	105.56 SSL VERMILLION RD	-	RECONNECT SERVICE
26 LAKE PARK DR RESIDENTIAL	-	20	2.43 NSL HSE	-	RECONNECT SERVICE
26 LAKE PARK DR RESIDENTIAL	-	20	124.69 SSL VERMILLION RD	-	RECONNECT SERVICE
30 LAKE PARK DR RESIDENTIAL	-	20	3.55 NSL HSE	-	RECONNECT SERVICE
34 LAKE PARK DR RESIDENTIAL	20	20	143.41 SSL VERMILLION RD	-	RECONNECT SERVICE
34 LAKE PARK DR RESIDENTIAL	CU	CU	9.66 SNL HSE	-	RECONNECT SERVICE
42 LAKE PARK DR RESIDENTIAL	20	20	160.11 SSL VERMILLION RD	-	RECONNECT SERVICE
42 LAKE PARK DR RESIDENTIAL	CU	CU	5.71 WEL HSE	-	RECONNECT SERVICE
46 LAKE PARK DR RESIDENTIAL	20	20	6.69 WEL HSE	-	RECONNECT SERVICE
46 LAKE PARK DR RESIDENTIAL	CU	CU	-	-	RECONNECT SERVICE

*SERVICES TO BE RENEWED TO R. ALL OTHERS TO BE RECONNECTED

FOR INDEX SEE D-14362

NOTE: ALL VALVES TO BE INSTALLED CLOCKWISE TO CLOSE



WARNING
IF POWER EQUIPMENT OR EXPLOSIVES ARE TO BE USED FOR EXCAVATION ON THIS PROJECT THE CONTRACTOR MUST:
1) NOTIFY THE GAS COMPANY OF THE PROPOSED LOCATION OF EXCAVATION.
2) TAKE PRECAUTION TO AVOID DAMAGE TO GAS COMPANY INSTALLATIONS.
SEE PROVINCIAL REGULATION 210/72 FOR DETAILS

LOCATION APPROVED UNDERGROUND STRUCTURES
SHPV. U/G STRUCTURES COMMITTEE DATE
NOTE: LOCATION OF UNDERGROUND STRUCTURES AS SHOWN ARE BASED ON THE BEST INFORMATION AVAILABLE BUT NO GUARANTEE IS GIVEN THAT ALL EXISTING UTILITIES ARE SHOWN OR THAT THE GIVEN LOCATIONS ARE EXACT. CONFIRMATION OF EXISTENCE AND EXACT LOCATION OF ALL UTILITIES MUST BE OBTAINED FROM THE INDIVIDUAL UTILITIES BEFORE PROCEEDING WITH CONSTRUCTION.

B.M. ELEV.	NO.	REVISIONS	DATE	BY

DESIGNED BY	NC	CHECKED BY	SC
DRAWN BY	RS/RJ	APPROVED BY	KZ
SCALE: HORIZONTAL	1: 250	RELEASED FOR CONSTRUCTION	KAS ZUREK
SCALE: VERTICAL	1: 50	DATE	2016 04 29
DATE	2016 04 29	DATE	2016 04 29
PLOT DATE:	2016 04 29		

ENGINEER'S SEAL
ORIGINAL SIGNED BY N.M. CONTI 16/04/29
CONSULTANT DRAWING NUMBER

THE CITY OF WINNIPEG
WATER AND WASTE DEPARTMENT
ENGINEERING DIVISION

2016 WATER MAIN RENEWALS
CONTRACT 2
LAKE PARK DRIVE
97 S OF VERMILLION ROAD TO S-LEG OF LAKE PARK DRIVE

SHEET 12 OF 16
CITY DRAWING NUMBER D-14373