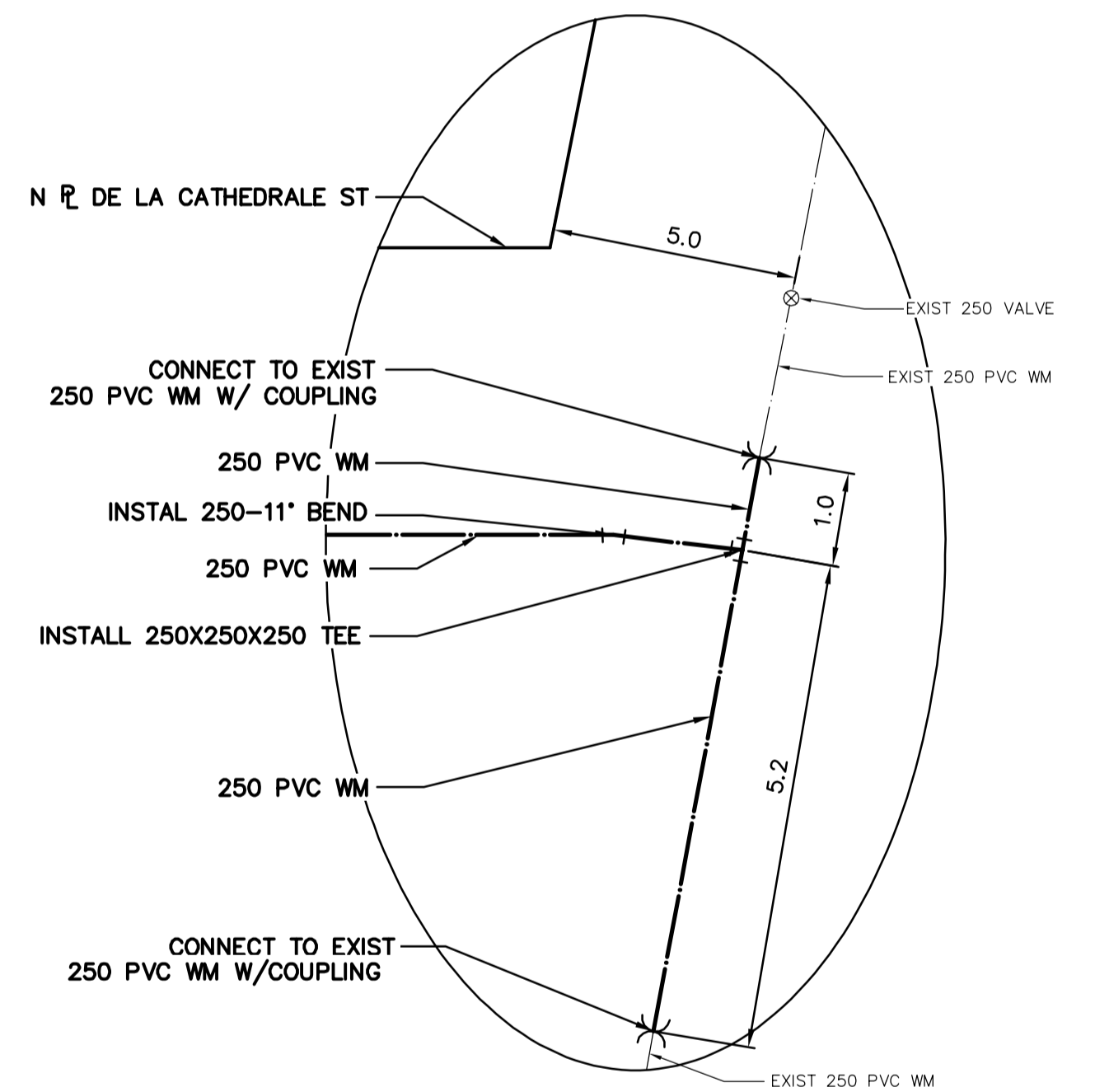
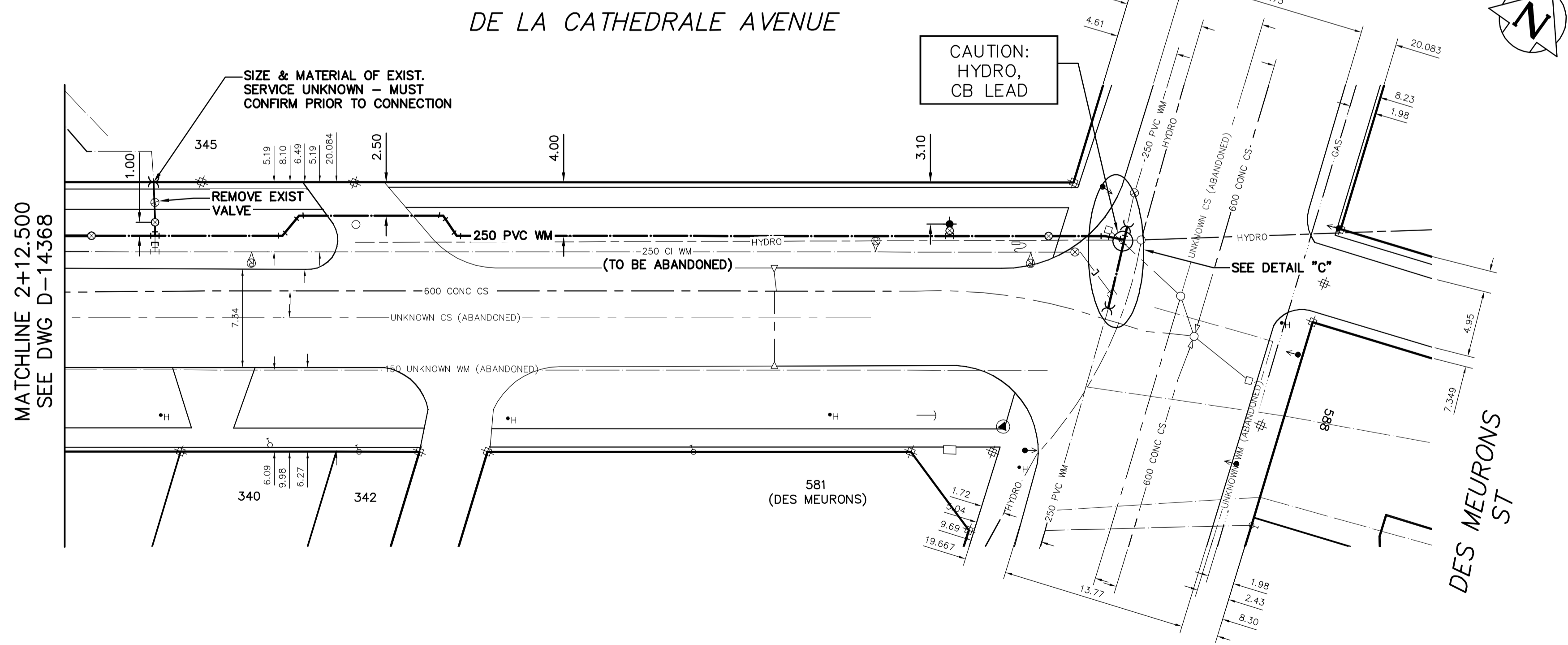


WATER SERVICE INFORMATION

ADDRESS	SIZE (mm) MATERIAL (STREET)	SIZE (mm) MATERIAL (PROP.)	SHORT & LONG MEASUREMENT	CORP. LOCATION	REMARKS
313 DE LA CATHEDRALE AVE	-	20	8.24 WEL HSE	-	RECONNECT SERVICE
COMMERCIAL	-	-	175.93 WWL DES MEURONS	-	-
315 DE LA CATHEDRALE AVE	-	20	1.50 EWL HSE	-	RECONNECT SERVICE
RESIDENTIAL	-	-	18.62 EEL ST JEAN BAPTISTE	-	-
317 DE LA CATHEDRALE AVE	-	20	2.21 EWL HSE	-	RECONNECT SERVICE
RESIDENTIAL	-	-	29.78 EEL ST JEAN BAPTISTE	-	-
320 DE LA CATHEDRALE AVE	-	50	5.10 SNL BLDG	-	SERVICED OFF
COMMERCIAL	-	CU	15.69 SSL DE LA CATHEDRALE	-	DE LA MORENIE
321 DE LA CATHEDRALE AVE	-	-	46.54 EWL BLDG	-	RECONNECT SERVICE
COMMERCIAL	-	-	77.973 WWL DES MEURONS ST	-	-
336 DE LA CATHEDRALE AVE	-	20	3.26 SNL HSE	-	SERVICED OFF
RESIDENTIAL	-	CU	7.19 SSL DE LA CATHEDRALE	-	DE LA MORENIE
340 DE LA CATHEDRALE AVE	-	20	0.54 EWL HSE	-	RECONNECT SERVICE
RESIDENTIAL	-	CU	26.54 EEL DE LA MORENIE	-	-
342 DE LA CATHEDRALE AVE	-	20	0.80 EWL HSE	-	RECONNECT SERVICE
RESIDENTIAL	-	CU	33.17 EEL DE LA MORENIE	-	-
345 DE LA CATHEDRALE AVE	-	-	55.87 EWL BLDG	-	RECONNECT SERVICE
COMMERCIAL	-	-	65.508 WWL DES MEURONS ST	-	-
581 DES MEURONS	-	25	3.28 EWL BLDG	-	RECONNECT SERVICE
COMMERCIAL	-	CU	58.13 EEL DE LA MORENIE	-	-

* SERVICES TO BE RENEWED TO R. ALL OTHERS TO BE RECONNECTED

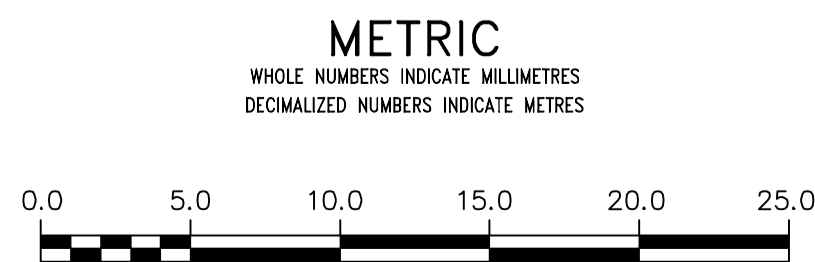
NOTE: CHAINAGES SHOWN ARE ALONG N. R. OF DE LA CATHEDRALE AVE.



DETAIL "C"
SCALE N.T.S.

FOR INDEX SEE D-14362

NOTE: ALL VALVES TO BE INSTALLED CLOCKWISE TO CLOSE



<p>WARNING</p> <p>IF POWER EQUIPMENT OR EXPLOSIVES ARE TO BE USED FOR EXCAVATION ON THIS PROJECT THE CONTRACTOR MUST:</p> <ol style="list-style-type: none"> NOTIFY THE GAS COMPANY OF THE PROPOSED LOCATION OF EXCAVATION. TAKE PRECAUTION TO AVOID DAMAGE TO GAS COMPANY INSTALLATIONS. <p>SEE PROVINCIAL REGULATION 210/72 FOR DETAILS</p>	<p>LOCATION APPROVED UNDERGROUND STRUCTURES</p> <p>SUPV. U/G STRUCTURES COMMITTEE DATE</p> <p>NOTE: LOCATION OF UNDERGROUND STRUCTURES AS SHOWN ARE BASED ON THE BEST INFORMATION AVAILABLE BUT NO GUARANTEE IS GIVEN THAT ALL EXISTING UTILITIES ARE SHOWN OR THAT THE GIVEN LOCATIONS ARE EXACT. CONFIRMATION OF EXISTENCE AND EXACT LOCATION OF ALL SERVICES MUST BE OBTAINED FROM THE INDIVIDUAL UTILITIES BEFORE PROCEEDING WITH CONSTRUCTION.</p>	<p>B.M. ELEV.</p> <table border="1"> <tr><td> </td><td> </td><td> </td></tr> <tr><td> </td><td> </td><td> </td></tr> <tr><td> </td><td> </td><td> </td></tr> <tr><td> </td><td> </td><td> </td></tr> </table> <p>NO. REVISIONS DATE BY</p>													<p>DESIGNED BY NC</p> <p>CHECKED BY SC</p> <p>DRAWN BY RJ</p> <p>APPROVED BY KZ</p> <p>SCALE: HORIZONTAL 1:250 VERTICAL 1:50</p> <p>RELEASED FOR CONSTRUCTION KAS ZUREK</p> <p>DATE 2016 04 29 DATE 2016 04 29</p> <p>PLOT DATE: 2016 04 29</p>	<p>ENGINEER'S SEAL</p> <p>ORIGINAL SIGNED BY N.M. CONTI 16/04/29</p> <p>CONSULTANT DRAWING NUMBER -</p>	<p>THE CITY OF WINNIPEG WATER AND WASTE DEPARTMENT ENGINEERING DIVISION</p> <p>2016 WATERMAIN RENEWALS CONTRACT 2 DE LA CATHEDRALE AVENUE 107 E OF ST JEAN BAPTISTE STREET TO DES MEURONS STREET</p> <p>SHEET 8 OF 16 CITY DRAWING NUMBER D-14369</p>
<p>SEE PROVINCIAL REGULATION 210/72 FOR DETAILS</p>																	
<p>FILE PATH: R:\DRAWINGS\WATER\RENEWAL\2016 RENEWALS\Contract 2\Construction Dwg\DELACATHEDRALEST.dwg</p>																	
<p>CONTRACT NUMBER: 2</p>																	