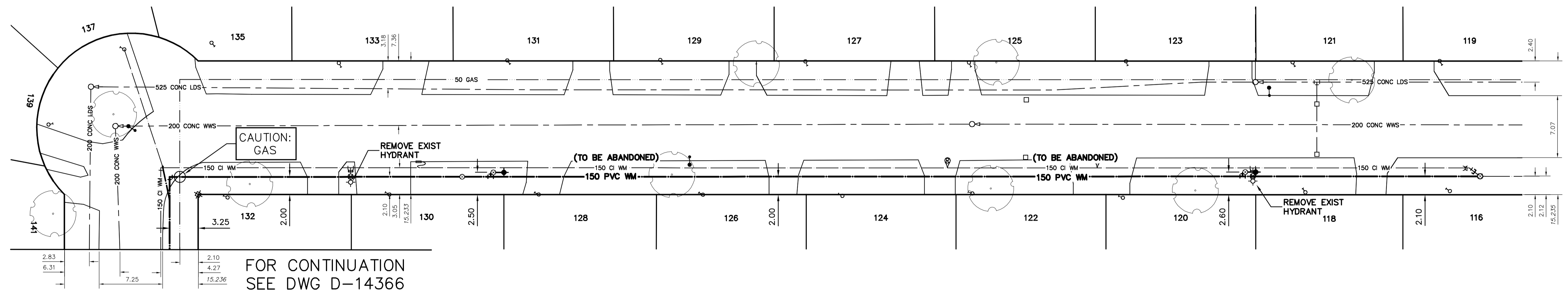


NOTE: CHAINAGES SHOWN ARE ALONG S. P. OF CROFTON BAY (N-LEG)

CROFTON BAY (N-LEG)

CAUTION: GAS ON N SIDE

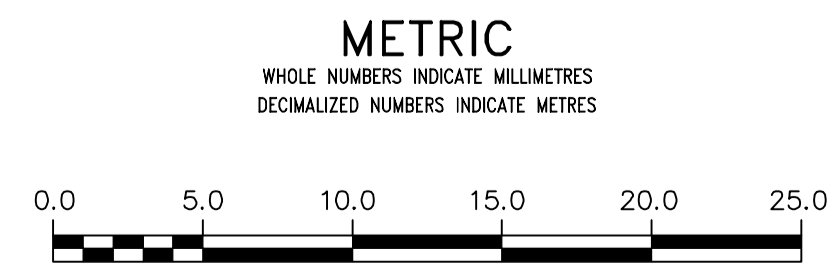


FOR CONTINUATION SEE DWG D-14366

FOR WATER SERVICE TABLE SEE D-14366

FOR INDEX SEE D-14362

NOTE: ALL VALVES TO BE INSTALLED CLOCKWISE TO CLOSE



**WARNING**  
IF POWER EQUIPMENT OR EXPLOSIVES ARE TO BE USED FOR EXCAVATION ON THIS PROJECT THE CONTRACTOR MUST:  
1) NOTIFY THE GAS COMPANY OF THE PROPOSED LOCATION OF EXCAVATION.  
2) TAKE PRECAUTION TO AVOID DAMAGE TO GAS COMPANY INSTALLATIONS.  
SEE PROVINCIAL REGULATION 210/72 FOR DETAILS

LOCATION APPROVED UNDERGROUND STRUCTURES  
SUPV. U/G STRUCTURES COMMITTEE DATE  
NOTE:  
LOCATION OF UNDERGROUND STRUCTURES AS SHOWN ARE BASED ON THE BEST INFORMATION AVAILABLE BUT NO GUARANTEE IS GIVEN THAT ALL EXISTING UTILITIES ARE SHOWN OR THAT THE GIVEN LOCATIONS ARE EXACT. CONFIRMATION OF EXISTENCE AND EXACT LOCATION OF ALL SERVICES MUST BE OBTAINED FROM THE INDIVIDUAL UTILITIES BEFORE PROCEEDING WITH CONSTRUCTION.

B.M. ELEV.	NO.	REVISIONS	DATE	BY

DESIGNED BY	NC	CHECKED BY	SC
DRAWN BY	RS/RJ	APPROVED BY	KZ
SCALE:	HORIZONTAL 1: 250 VERTICAL 1: 50		
DATE	2016 04 29		
DATE	2016 04 29		
DATE	2016 04 29		
DATE	2016 04 29		

ENGINEER'S SEAL  
ORIGINAL SIGNED BY N.M. CONTI 16/04/29  
CONSULTANT DRAWING NUMBER

**THE CITY OF WINNIPEG**  
WATER AND WASTE DEPARTMENT  
ENGINEERING DIVISION

2016 WATER MAIN RENEWALS  
CONTRACT 2  
CROFTON BAY (N-LEG)  
122 W OF PULBERRY STREET TO  
294 W OF PULBERRY STREET

SHEET 6 OF 16  
CITY DRAWING NUMBER  
D-14367