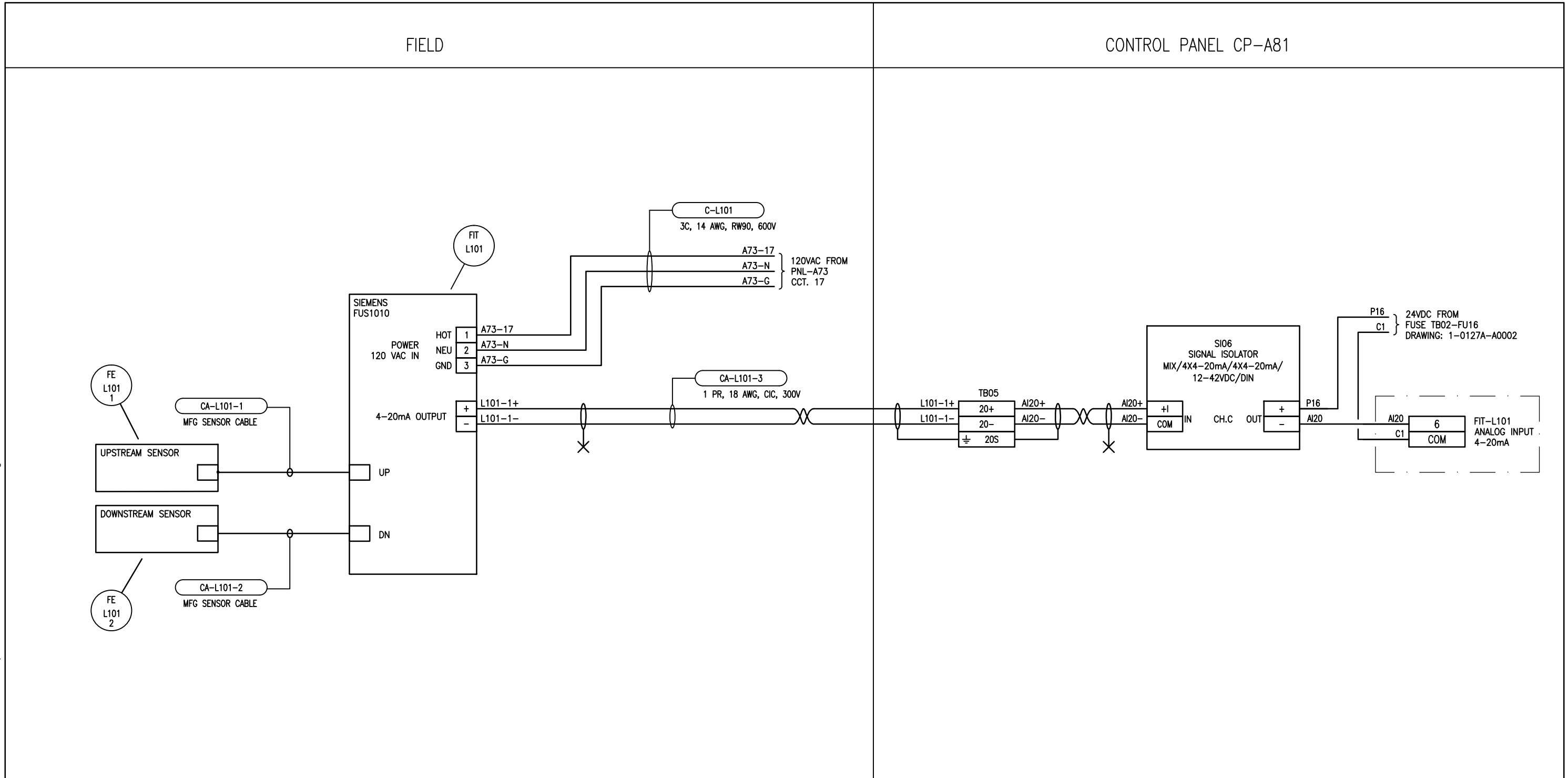


B SIZE - 279mm x 432mm

LAST SAVE: 2016/05/09 - 9:30am
 PATH: M:\632354\4ENG\48&C\DD - General DWG\1-0127L-A0008-001-00.dwg



SNC-LAVALIN INC.
 148 Nature Park Way
 Winnipeg, MB, Canada R3P 0X7
 204-786-8080

NO.	REVISIONS	DATE	DESIGN	CHECK
00	ISSUED FOR TENDER, BID OP. 331-2016	2016/05/06	BJC	

DESIGNED BY: B. CLEVEN	CHECKED BY: F. ATAEI
DRAWN BY: B. CLEVEN	APPROVED BY: I. PARKINSON
SCALE: NTS	DATE: 2016/05/06
ISSUED FOR CONSTRUCTION	DATE: 2016/05/06
BY: K. ZUREK	DATE: 2016/05/06
CONSULTANT NO.:	

ENGINEER'S SEAL
 ORIGINAL DRAWING
 SEALED BY:
 B. CLEVEN
 SNC-LAVALIN
 MEMBER # 31479
 2016/05/06
 REV. 00

THE CITY OF WINNIPEG
 WATER AND WASTE DEPARTMENT

COCKBURN FLOOD AND WASTEWATER PUMPING STATION
 2016 UPGRADES
 LOOP DIAGRAM
 P-L01 AND P-L02 FLOW METER
 FIT-L101

CITY DRAWING NUMBER	SHEET	REV.	SIZE
1-0127L-A0008	001	00	B