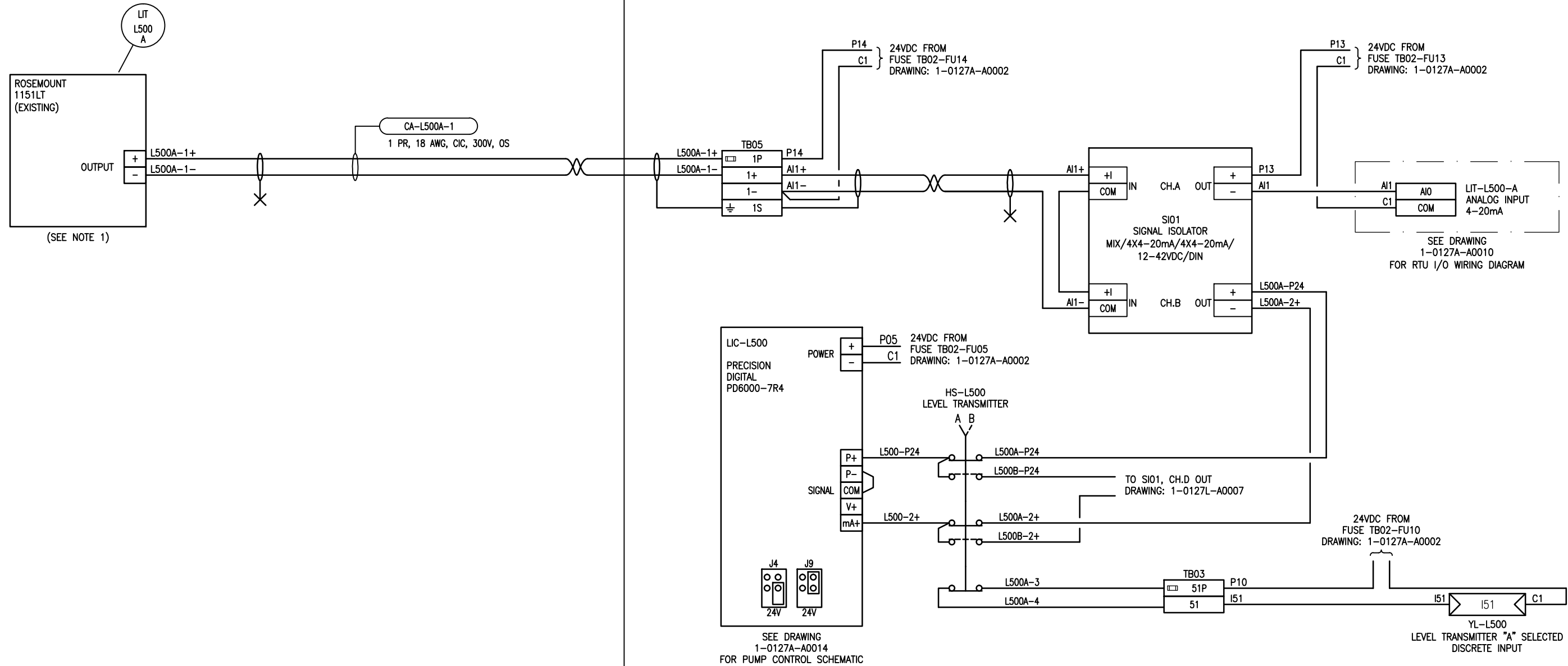


B SIZE - 279mm x 432mm

LAST SAVE: 2016/05/09 - 9:28am
 PATH: M:\632354\4ENG\48&C\DD - General DWG\1-0127L-A0006-001-00.dwg

FIELD - PUMP ROOM

CONTROL PANEL CP-A81



NOTES:
 1. RE-USE EXISTING LEVEL TRANSMITTER.



SNC-LAVALIN INC.
 148 Nature Park Way
 Winnipeg, MB, Canada R3P 0X7
 204-786-8080

ENGINEER'S SEAL
 ORIGINAL DRAWING
 SEALED BY:
 B. CLEVEN
 SNC-LAVALIN
 MEMBER # 31479
 2016/05/06
 REV. 00



COCKBURN FLOOD AND WASTEWATER PUMPING STION
 2016 UPGRADES
 LOOP DIAGRAM
 WET WELL LEVEL TRANSMITTER "A"
 LIT-L500-A

DESIGNED BY:	B. CLEVEN	CHECKED BY:	F. ATAEI	
DRAWN BY:	Y. KONIG	APPROVED BY:	I. PARKINSON	
SCALE:	NTS	DATE:	2016/02/08	
ISSUED FOR CONSTRUCTION BY:	K. ZUREK	DATE:	2016/05/06	
CONSULTANT NO.:				
NO.	REVISIONS	DATE	DESIGN	CHECK
00	ISSUED FOR TENDER, BID OP. 331-2016	2016/05/05	BJC	FA

CITY DRAWING NUMBER	SHEET	REV.	SIZE
1-0127L-A0006	001	00	B