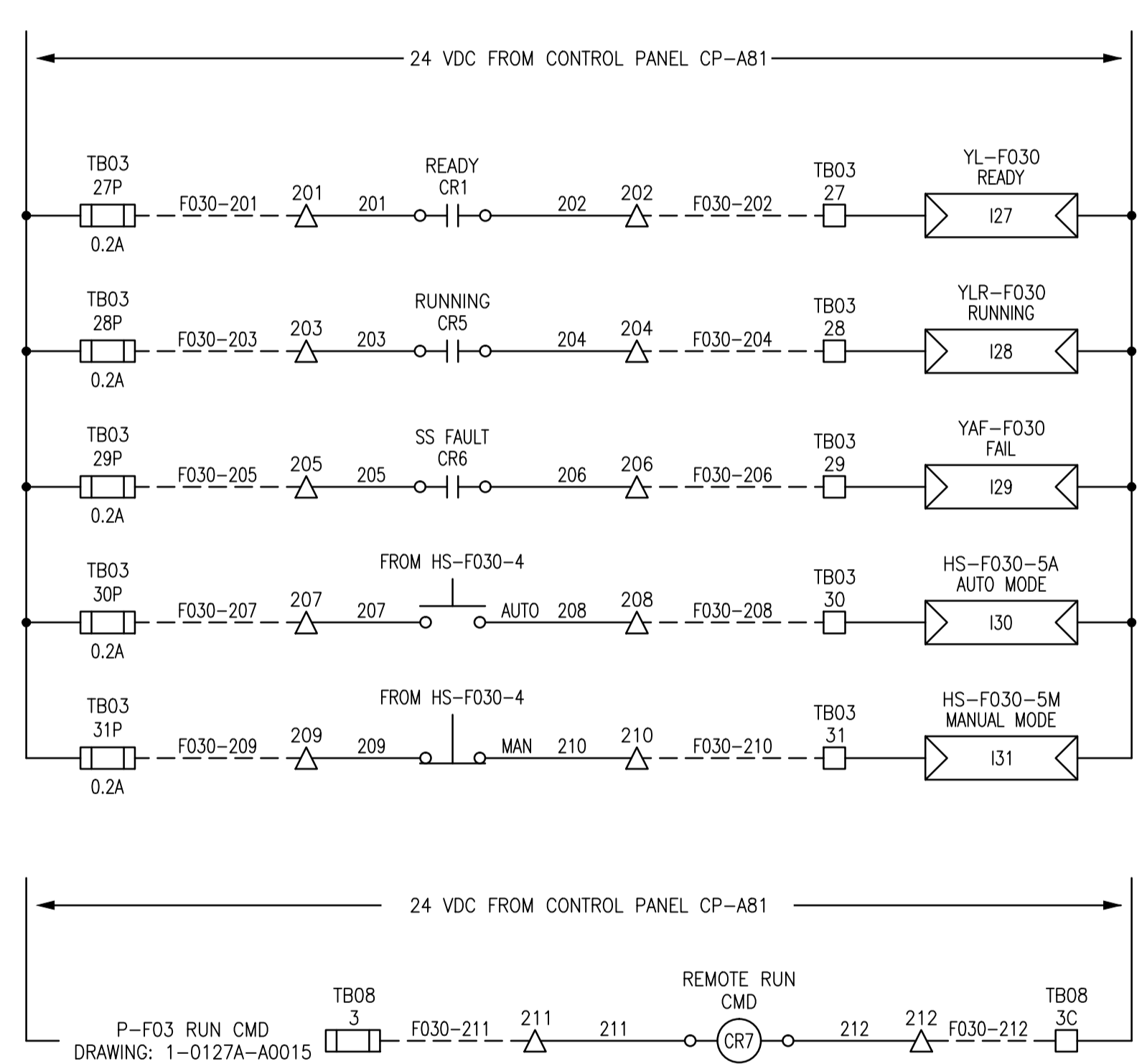
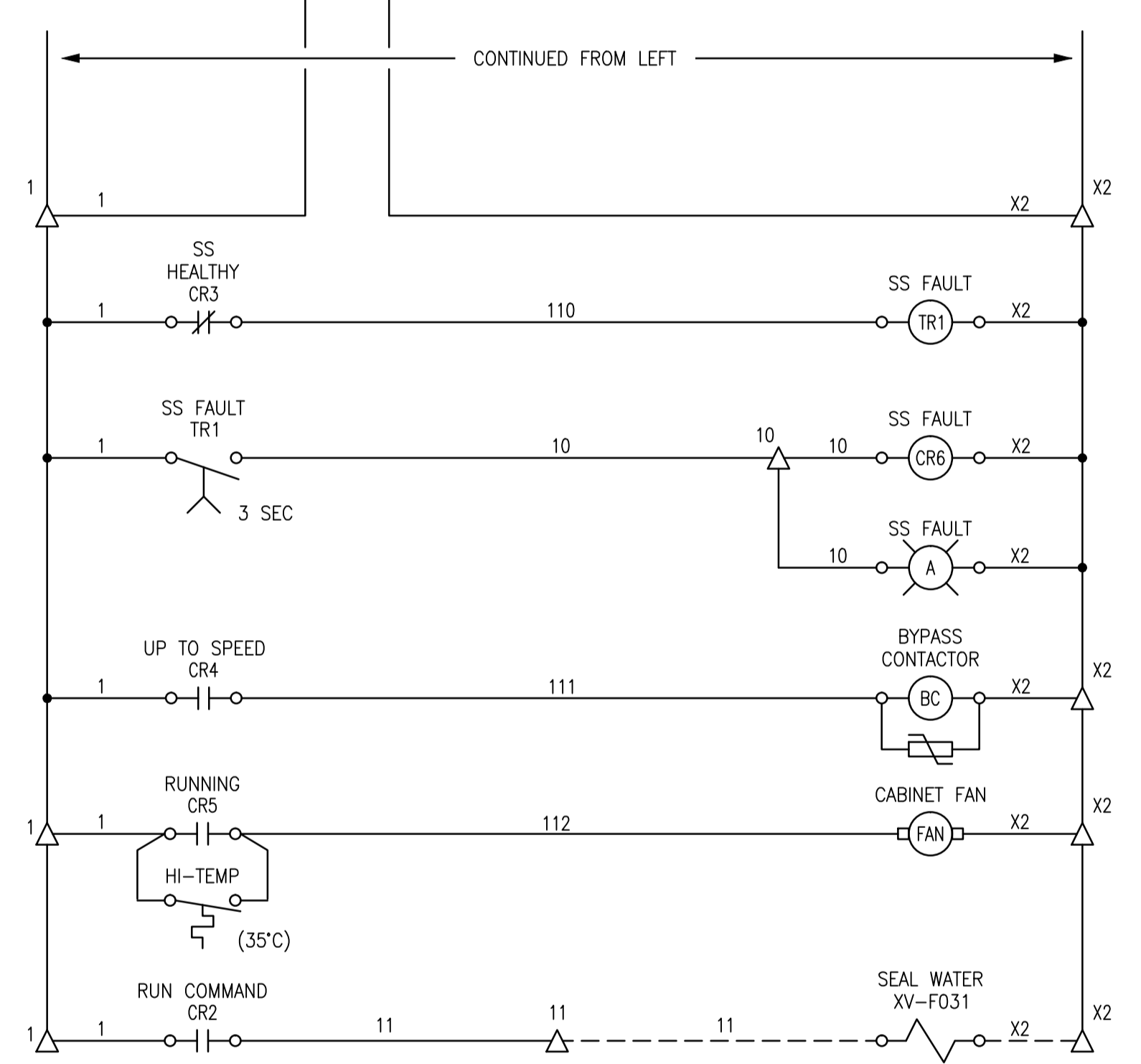
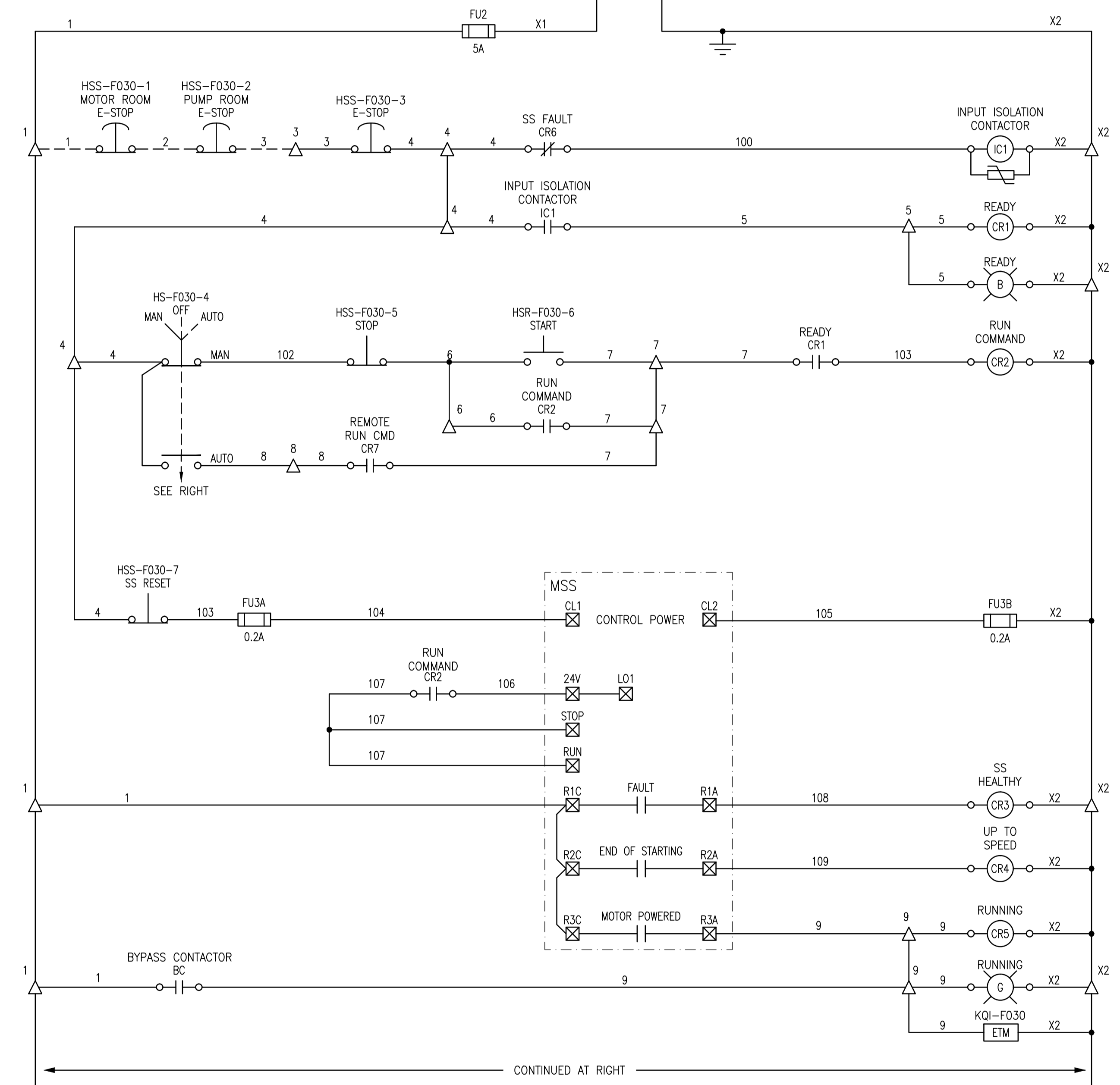


LEGEND:

- INTERNAL WIRING
- - - FIELD (EXTERNAL) WIRING
- △ SOFT START ENCLOSURE TERMINAL
- CONTROL PANEL TERMINAL
- ⊗ SOFT START DEVICE TERMINAL
- ⊞ TRANSIENT VOLTAGE SUPPRESSOR
- ETM ELAPSED TIME METER
- (A) AMMETER



| | |
|----------------|---------------------------|
| 1-0127F-E0006 | MS-F03 CONNECTION DIAGRAM |
| DRAWING NUMBER | REFERENCE DRAWINGS |

- NOTES:**
- COMPLETE ASSEMBLY TO HAVE A SHORT CIRCUIT CURRENT RATING OF 25KA OR HIGHER.
 - GROUP AND SPACE 120VAC, 24VDC AND 4-20ma TERMINALS AND WIRING SEPARATELY.
 - ALL REMOTE WIRING IS 24VDC.
 - COLOUR CODE WIRING AS FOLLOWS:

| | |
|----------------------------------|-------|
| POWER - 120VAC SUPPLY | BLACK |
| POWER - 120VAC NEUTRAL | WHITE |
| POWER - 24VDC SUPPLY (+) | BLUE |
| POWER - 24VDC COMMON (-, OR OVD) | BROWN |
| DISCRETE CONTROL - AC | RED |
| DISCRETE CONTROL - DC | BLUE |
| GROUND | GREEN |



| NO. | REVISIONS | DATE | DESIGN | CHECK |
|-----|-------------------------------------|------------|--------|-------|
| 00 | ISSUED FOR TENDER, BID OP. 331-2016 | 2016/05/06 | BJC | DB |

SNC-LAVALIN INC.
148 Nature Park Way
Winnipeg, MB, Canada R3P 0X7
204-786-8080

DESIGNED BY: B. CLEVEN
CHECKED BY: D. BECKER
DRAWN BY: Y. KONIG
APPROVED BY: I. PARKINSON
SCALE: NTS
ISSUED FOR CONSTRUCTION
DATE: 2016/03/22
BY: K. ZUREK
DATE: 2016/05/06

CONSULTANT NO.:

THE CITY OF WINNIPEG
WATER AND WASTE DEPARTMENT

COCKBURN FLOOD AND WASTEWATER PUMPING STATION
2016 UPGRADES
MOTOR STARTER SCHEMATIC
MS-F03
WASTEWATER LIFT PUMP

CITY DRAWING NUMBER: 1-0127F-E0005
SHEET: 001
REV.: 00
SIZE: A1