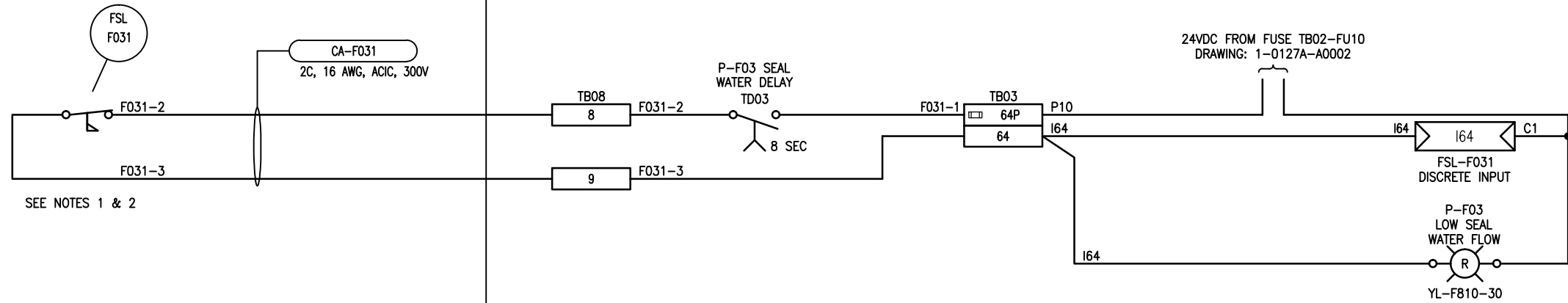


B SIZE - 279mm x 432mm

LAST SAVE: 2016/05/09 - 9:16am  
 PATH: M:\632354\4ENG\48&C\DD - General DWG\1-0127F-A0008-001-00.dwg

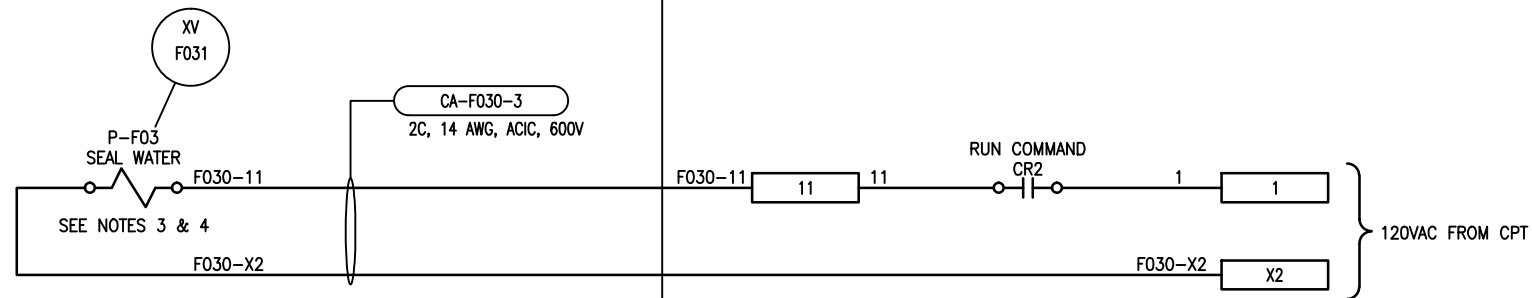
FIELD

CONTROL PANEL CP-A81



SEE NOTES 1 & 2

MCC-A71.MS-F03 P-F03 STARTER



SEE NOTES 3 & 4

NOTES:

1. PROVIDE AND INSTALL NEW SEAL WATER FLOW SWITCH.
2. FLOW SWITCH CONTACT TO BE CLOSED WHEN NO FLOW IS PRESENT AND OPEN WHEN FLOW IS PRESENT.
3. PROVIDE AND INSTALL NEW 120VAC SEAL WATER SOLENOID.
4. SEE DRAWING 1-0127F-E0005 AND 1-0127F-E0006 FOR SEAL WATER SOLENOID SCHEMATIC AND CONNECTION DIAGRAM.



SNC-LAVALIN INC.  
 148 Nature Park Way  
 Winnipeg, MB, Canada R3P 0X7  
 204-786-8080

ENGINEER'S SEAL

ORIGINAL DRAWING  
 SEALED BY:  
 B. CLEVEN  
 SNC-LAVALIN  
 MEMBER # 31479  
 2016/05/05  
 REV. 00



THE CITY OF WINNIPEG  
 WATER AND WASTE DEPARTMENT

COCKBURN FLOOD AND WASTEWATER PUMPING STATION  
 2016 UPGRADES  
 LOOP DIAGRAM  
 FLOOD PUMP P-F03 SEAL WATER FLOW  
 FSL-F031

NO.	REVISIONS	DATE	DESIGN	CHECK
00	ISSUED FOR TENDER, BID OP. 331-2016	2016/05/05	BJC	FA

DESIGNED BY: B. CLEVEN	CHECKED BY: F. ATAEI
DRAWN BY: Y. KONIG	APPROVED BY: I. PARKINSON
SCALE: NTS	DATE: 2016/03/17
ISSUED FOR CONSTRUCTION BY: K. ZUREK	DATE: 2016/05/06
CONSULTANT NO.:	

CITY DRAWING NUMBER 1-0127F-A0008	SHEET 001	REV. 00	SIZE B
--------------------------------------	--------------	------------	-----------