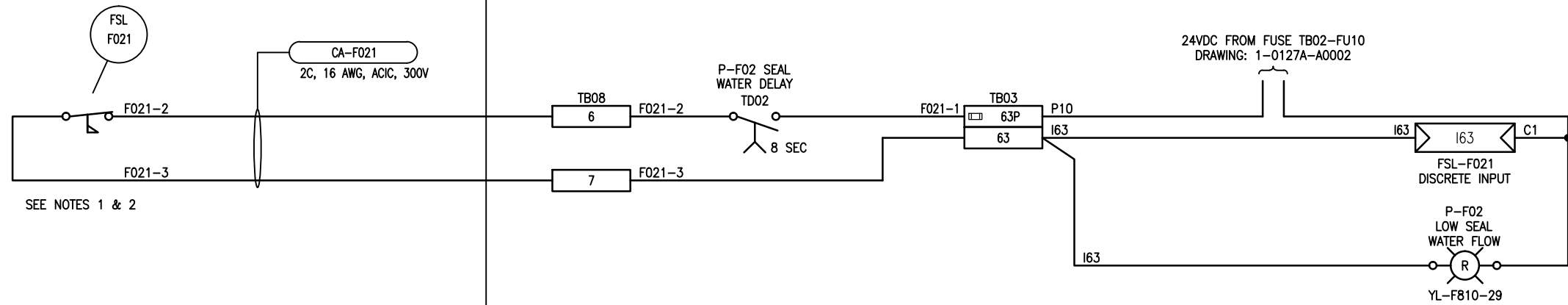


B SIZE - 279mm x 432mm

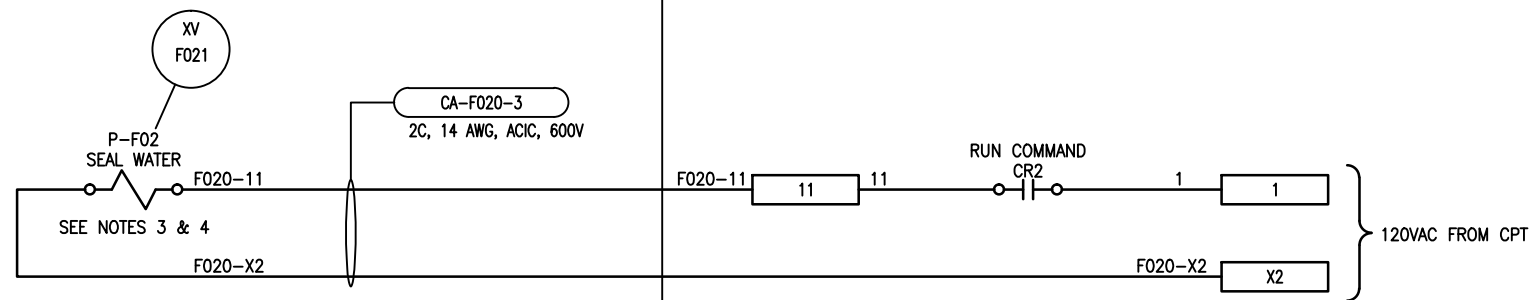
LAST SAVE: 2016/05/09 - 9:14am
 PATH: M:\632354\4ENG\48&C\DD - General DWG\1-0127F-A0007-001-00.dwg

FIELD

CONTROL PANEL CP-A81



MCC-A71.MS-F02 P-F02 STARTER



NOTES:

1. PROVIDE AND INSTALL NEW SEAL WATER FLOW SWITCH.
2. FLOW SWITCH CONTACT TO BE CLOSED WHEN NO FLOW IS PRESENT AND OPEN WHEN FLOW IS PRESENT.
3. PROVIDE AND INSTALL NEW 120VAC SEAL WATER SOLENOID.
4. SEE DRAWING 1-0127F-E0003 AND 1-0127F-E0004 FOR SEAL WATER SOLENOID SCHEMATIC AND CONNECTION DIAGRAM.



SNC-LAVALIN INC.
 148 Nature Park Way
 Winnipeg, MB, Canada R3P 0X7
 204-786-8080

ENGINEER'S SEAL

ORIGINAL DRAWING
 SEALED BY:
 B. CLEVEN
 SNC-LAVALIN
 MEMBER # 31479
 2016/05/06
 REV. 00



THE CITY OF WINNIPEG
 WATER AND WASTE DEPARTMENT

COCKBURN FLOOD AND WASTEWATER PUMPING STATION
 2016 UPGRADES
 LOOP DIAGRAM
 FLOOD PUMP P-F02 SEAL WATER FLOW
 FSL-F021

NO.	REVISIONS	DATE	DESIGN	CHECK
00	ISSUED FOR TENDER, BID OP. 331-2016	2016/05/05	BJC	FA

DESIGNED BY: B. CLEVEN	CHECKED BY: F. ATAEI
DRAWN BY: Y. KONIG	APPROVED BY: I. PARKINSON
SCALE: NTS	DATE: 2016/03/17
ISSUED FOR CONSTRUCTION	
BY: K. ZUREK	DATE: 2016/05/06
CONSULTANT NO.:	

CITY DRAWING NUMBER	SHEET	REV.	SIZE
1-0127F-A0007	001	00	B