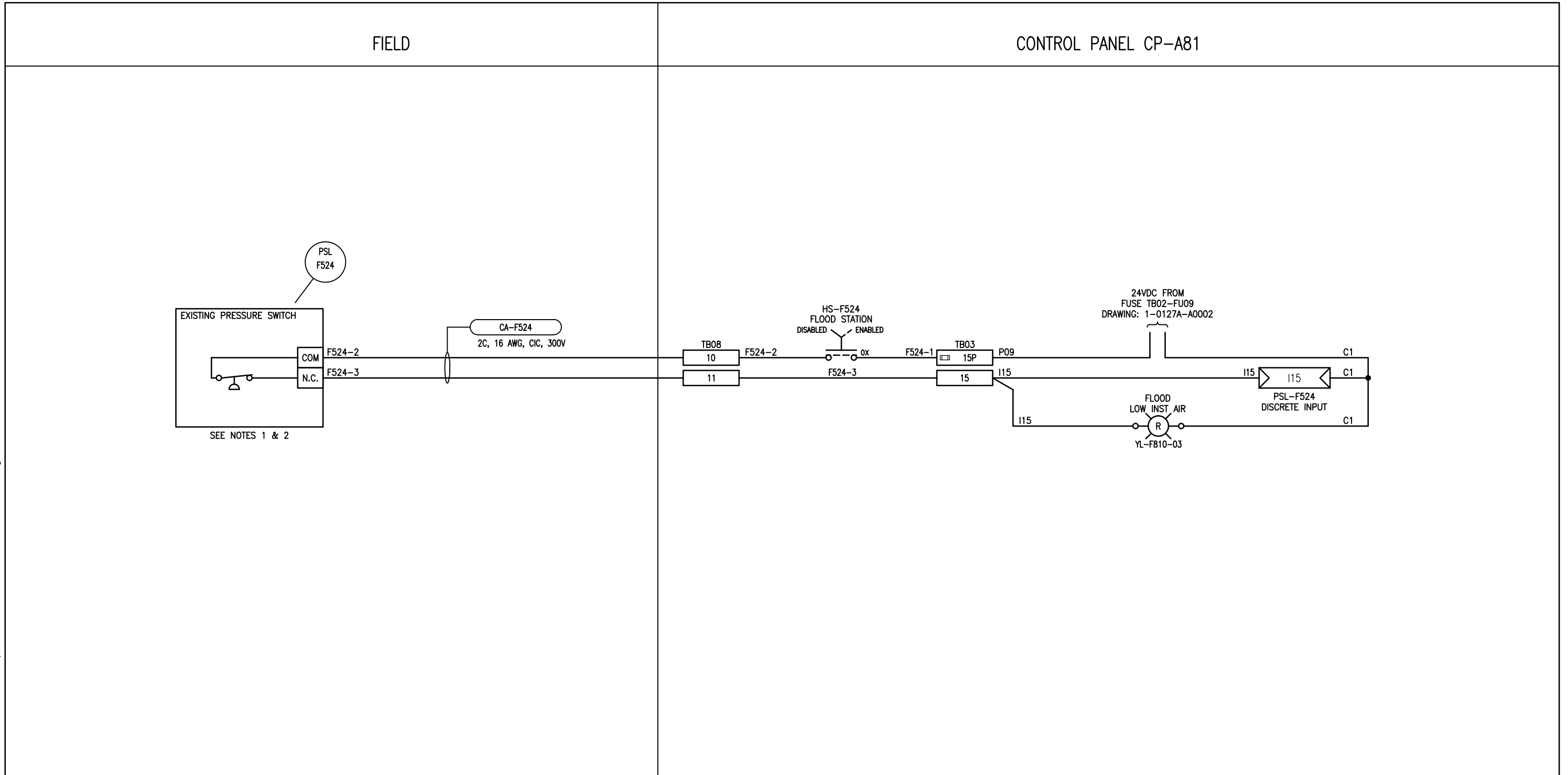


B SIZE - 279mm x 432mm

LAST SAVE: 2016/05/09 - 9:00am
 PATH: M:\632354\4ENG\48&C\DD - General DWG\1-0127F-A0003-001-00.dwg



NOTES:
 1. REUSE EXISTING PRESSURE SWITCH.
 2. PRESSURE SWITCH CONTACT TO BE OPEN DURING NORMAL OPERATION AND CLOSED UPON A LOW PRESSURE CONDITION.

SEE NOTES 1 & 2



SNC-LAVALIN				
NO.	REVISIONS	DATE	DESIGN	CHECK
00	ISSUED FOR TENDER, BID OP. 331-2016	2016/05/05	BJC	FA

SNC-LAVALIN INC.
 148 Nature Park Way
 Winnipeg, MB, Canada R3P 0X7
 204-786-8080

DESIGNED BY: B. CLEVEN	CHECKED BY: F. ATAEI
DRAWN BY: Y. KONIG	APPROVED BY: I. PARKINSON
SCALE: NTS	DATE: 2016/02/25
ISSUED FOR CONSTRUCTION	
BY: K. ZUREK	DATE: 2016/05/06
CONSULTANT NO.:	

ENGINEER'S SEAL

ORIGINAL DRAWING
 SEALED BY:
 B. CLEVEN
 SNC-LAVALIN
 MEMBER # 31479
 2016/05/05
 REV. 00

THE CITY OF WINNIPEG
 WATER AND WASTE DEPARTMENT

COCKBURN FLOOD AND WASTEWATER PUMPING STION
 2016 UPGRADES
 LOOP DIAGRAM
 FLOOD STATION LOW INSTRUMENT AIR
 PSL-F524

CITY DRAWING NUMBER	SHEET	REV.	SIZE
1-0127F-A0003	001	00	B