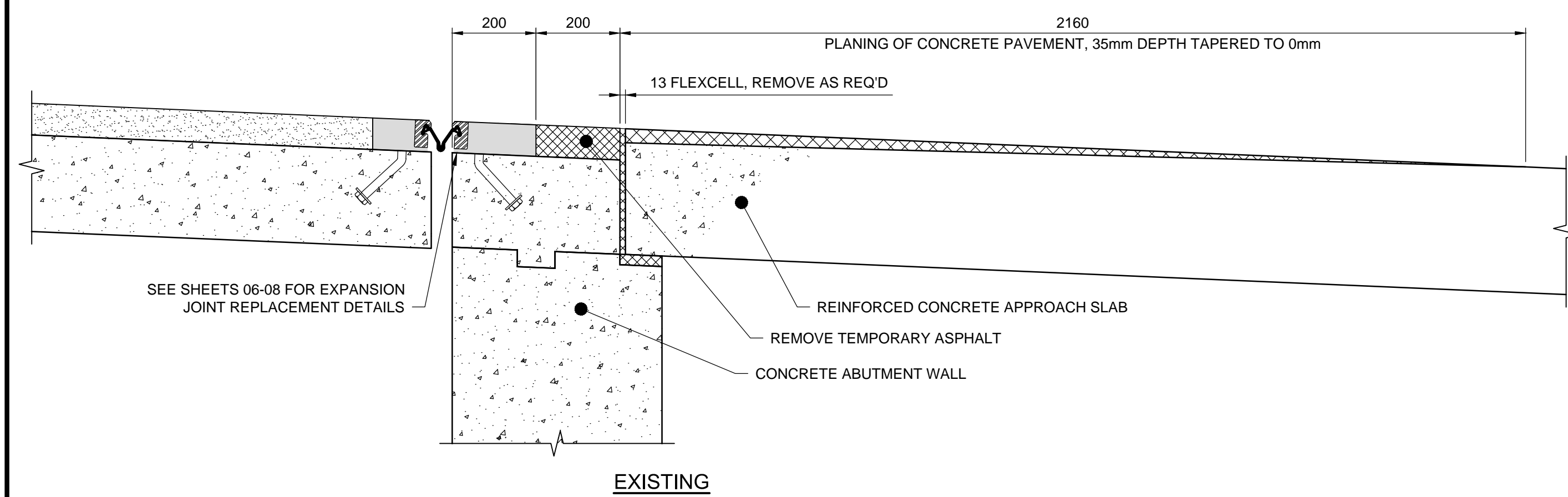
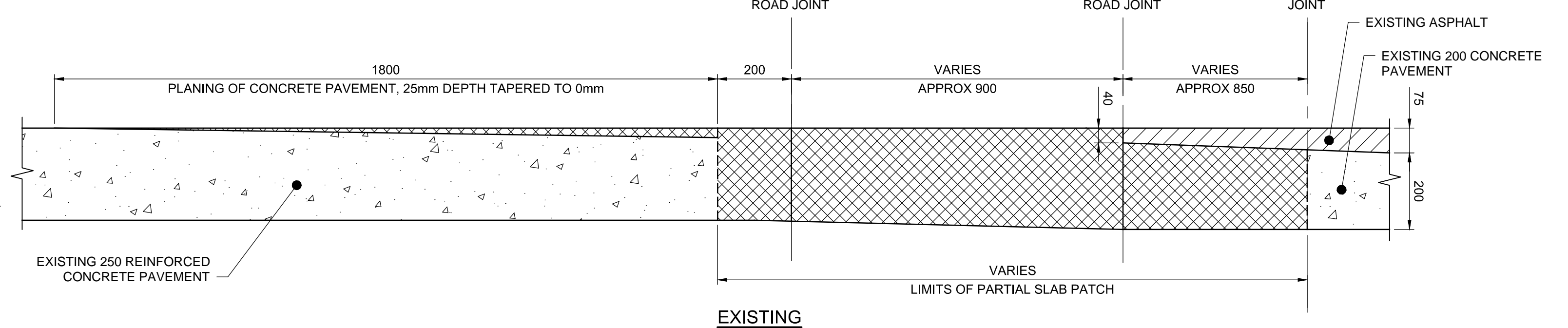


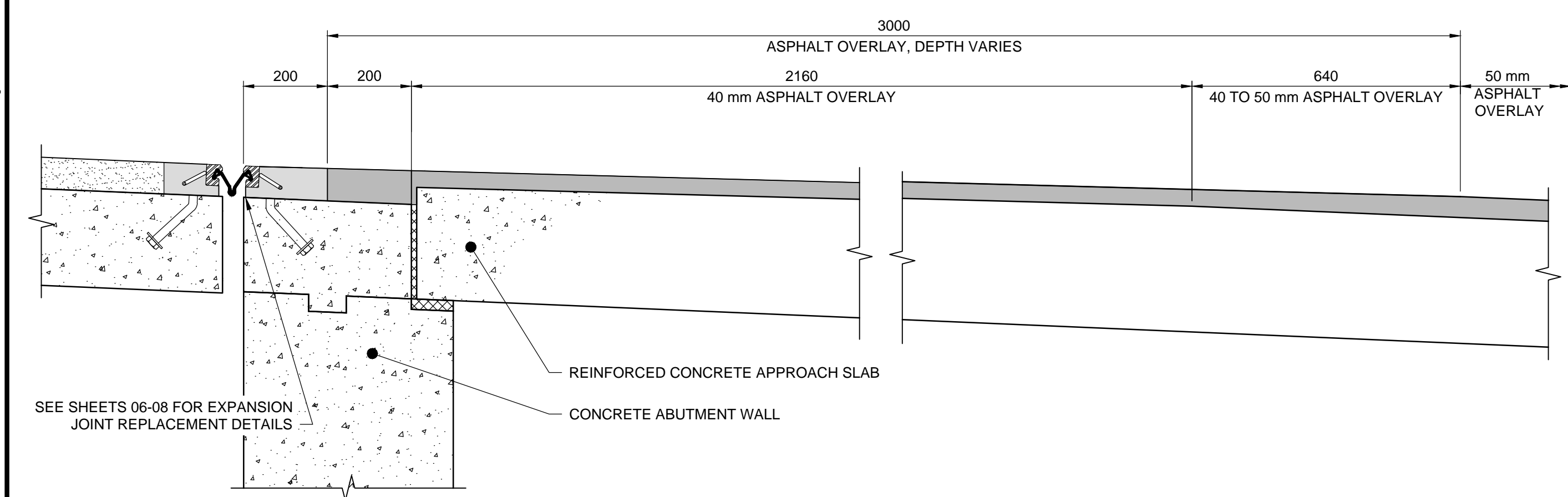
**NORTH APPROACH ROADWORKS**  
1:100



EXISTING

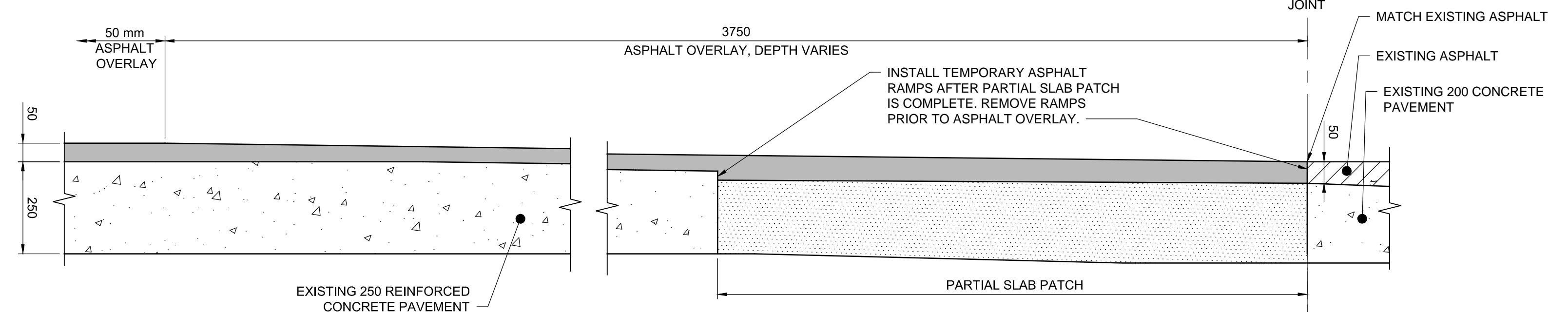


EXISTING



PROPOSED

**2 EXPANSION JOINT TIE-IN**  
10.11 1:10



PROPOSED

**1 ROADWAY JOINT TIE-IN**  
1.10 1:10

WHOLE NUMBERS INDICATE MILLIMETRES  
DECIMALIZED NUMBERS INDICATE METRES

- ROADWORKS NOTES:**
- REPAIR IN ACCORDANCE WITH CITY OF WINNIPEG STANDARD CONSTRUCTION SPECIFICATIONS.
  - LAYOUT ACTUAL REPAIR AREAS WITH THE CONTRACT ADMINISTRATOR ON SITE.

**APEGM**  
Certificate of Authorization  
**Dillon Consulting Limited (MB)**  
No. 1789 Date: JUNE 21, 2016

C:\projects\win\working\_directory\active\45146\45146\_0529971\A\163513-09-09-09-01-01-ST-JAMES SB ROADWORKS NORTH APPROACH.dwg

150 W.M.	WATERMAIN	150 W.M.	HYDRO	HYDRO	HYDRO	150 mm W.M.	WATERMAIN	150 mm W.M.
+	HYDRANT	+	MTS	M.T.S.	MTS	+	HYDRANT	+
⊗	VALVE	⊗		CONCRETE		⊗	VALVE	⊗
⊗	LAND DRAINAGE SEWER	⊗		ASPHALT		⊗	LAND DRAINAGE SEWER	⊗
○	WASTE WATER SEWER	○		PLANING		○	WASTE WATER SEWER	○
○	MANHOLE	○		SIDEWALK		○	MANHOLE	○
□	CATCH BASIN	□		PAVING STONES		□	CATCH BASIN	□
▽	CURB INLET	▽		PARTIAL DEPTH REPAIR		▽	CURB INLET	▽
—	JUNCTIONS	—		PROPERTY LINE		—	JUNCTIONS	—
—	CULVERT	—		SURVEY BAR		—	CULVERT	—
—	GAS	—		CURB RAMP		—	GAS	—
—	EXISTING	—		LEGEND-PLAN		—	EXISTING	—
—	LEGEND-PLAN	—		PROPOSED		—	LEGEND-PROFILE	—
—	PROPOSED	—		EXISTING		—	PROPOSED	—

UNDERGROUND STRUCTURES		B.M. ELEV.	DESIGNED BY
SUPV. U/G STRUCTURES COMMITTEE	DATE		RJT
NOTE: LOCATION OF UNDERGROUND STRUCTURES AS SHOWN ARE BASED ON THE BEST INFORMATION AVAILABLE BUT NO GUARANTEE IS GIVEN THAT ALL EXISTING UTILITIES ARE SHOWN OR THAT THE GIVEN LOCATIONS ARE EXACT. CONFIRMATION OF EXISTENCE AND EXACT LOCATION OF ALL SERVICES MUST BE OBTAINED FROM THE INDIVIDUAL UTILITIES BEFORE PROCEEDING WITH CONSTRUCTION.			DRAWN BY KB
			CHECKED BY RJT
			APPROVED BY SSR
			HOR. SCALE AS SHOWN
			VERTICAL AS SHOWN
0	ISSUED FOR TENDER	6/21/16	RJT
NO.	REVISIONS	DATE	BY
		JUNE 21, 2016	

**DILLON CONSULTING**

ENGINEER'S SEAL  
PROVINCE OF MANITOBA  
R.J. TAYLOR  
06/21/2016  
Member 32400  
REGISTERED PROFESSIONAL ENGINEER

CONSULTANT PROJECT NUMBER  
**16-3513**

**THE CITY OF WINNIPEG**  
PUBLIC WORKS DEPARTMENT

2016 BRIDGE MAINTENANCE - ST. JAMES SOUTHBOUND BRIDGE REPAIRS

ST. JAMES SB ROADWORKS NORTH APPROACH

CITY DRAWING NUMBER  
**B101-16-09**

SHEET **09** OF **11**

CONSULTANT DRAWING NUMBER  
--