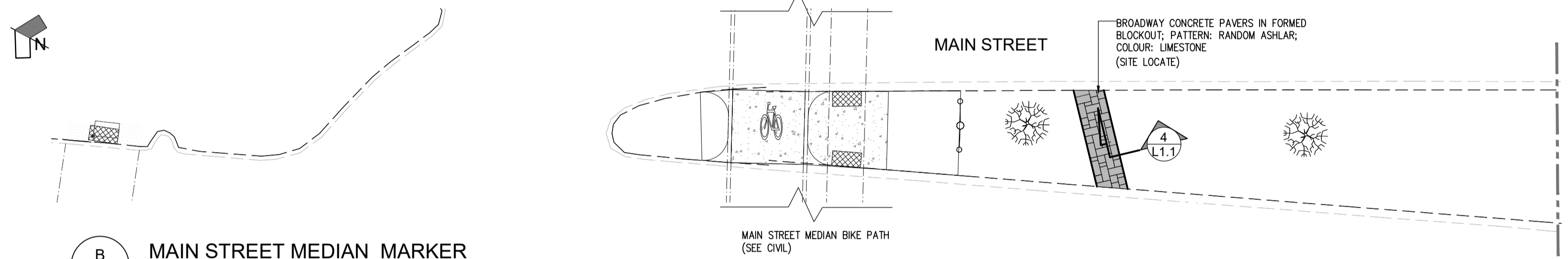
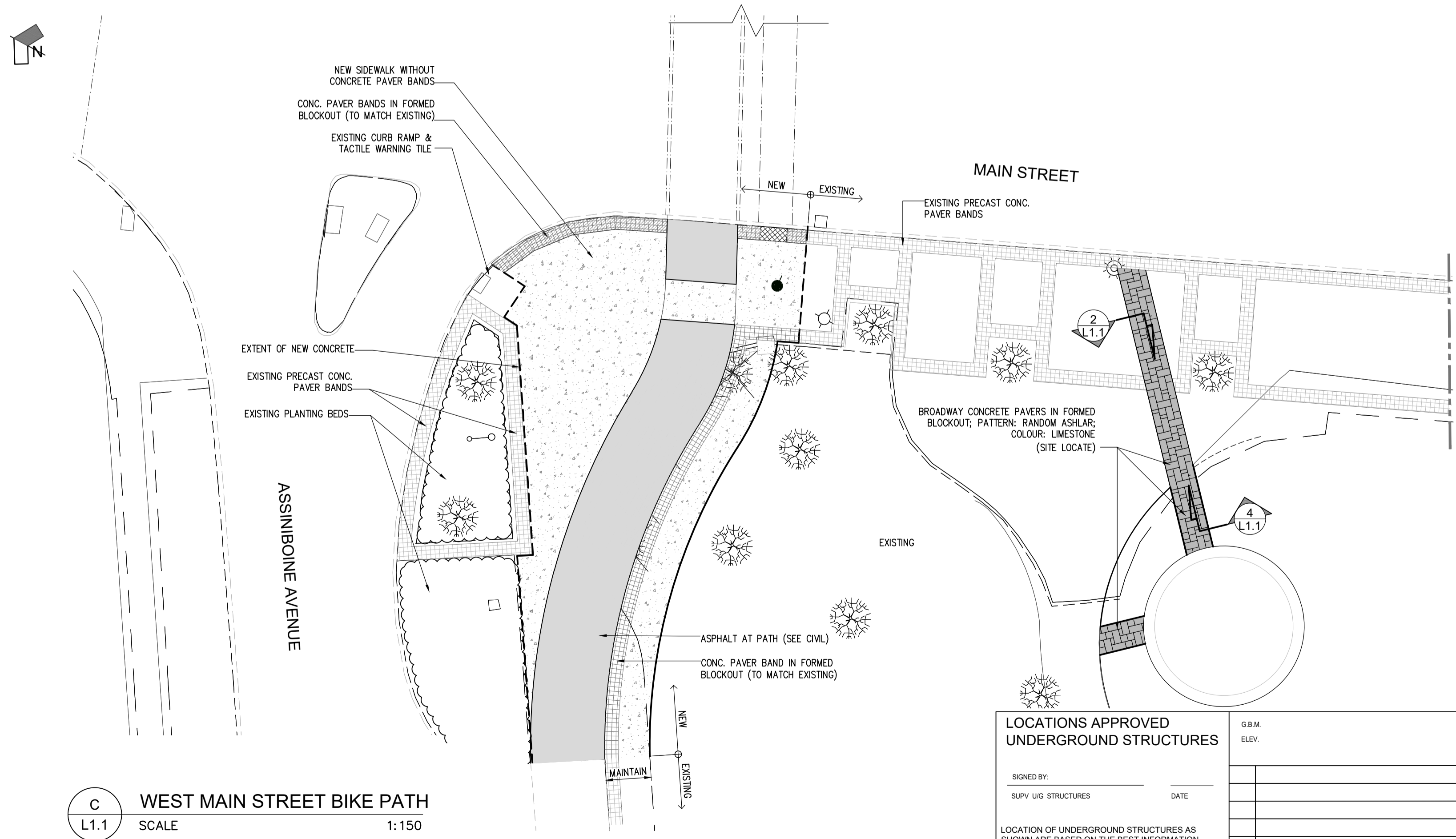


**A EAST MAIN STREET BIKE PATH**  
L1.1 SCALE 1:150

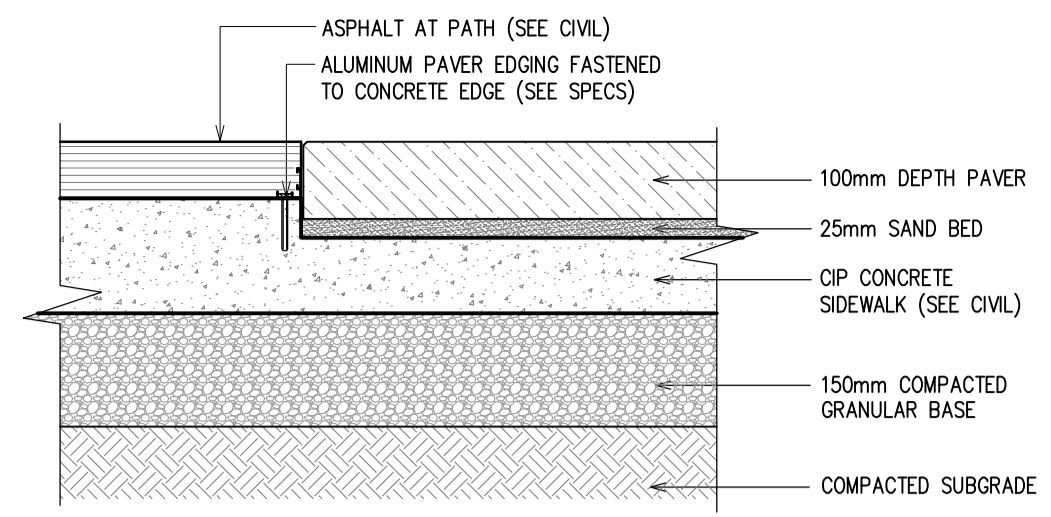
**NOTE:**  
MARKERS DENOTE LOCATION OF OLD FORT WALLS AND WILL BE LAID OUT ON SITE BY THE CONSULTANT.



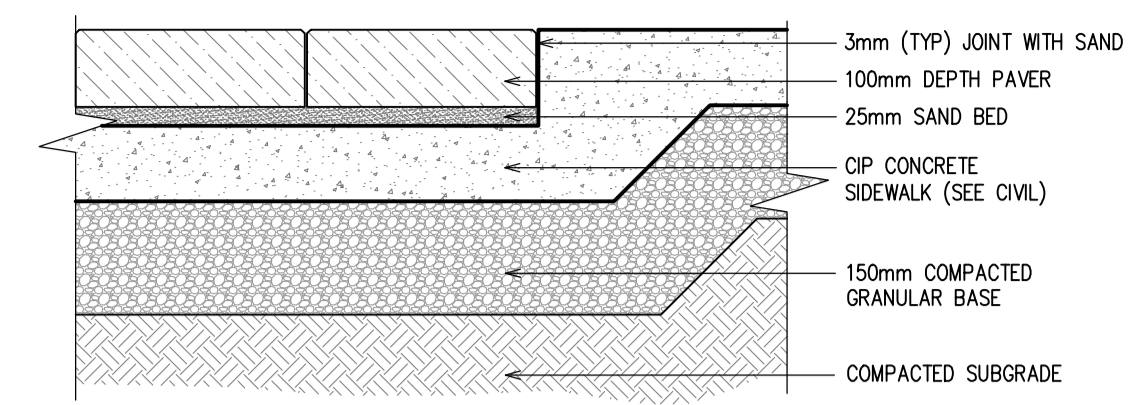
**B MAIN STREET MEDIAN MARKER**  
L1.1 SCALE 1:150



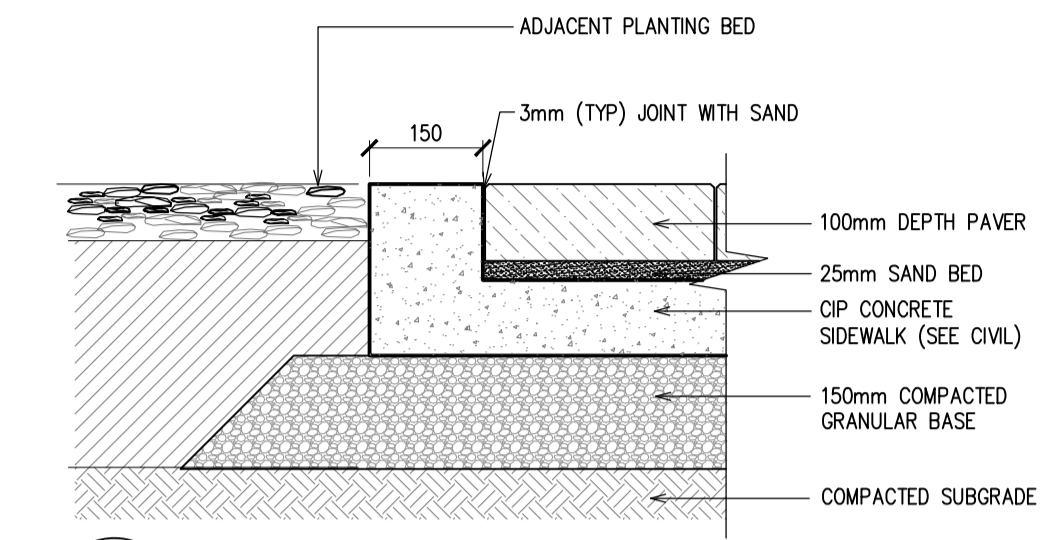
**C WEST MAIN STREET BIKE PATH**  
L1.1 SCALE 1:150



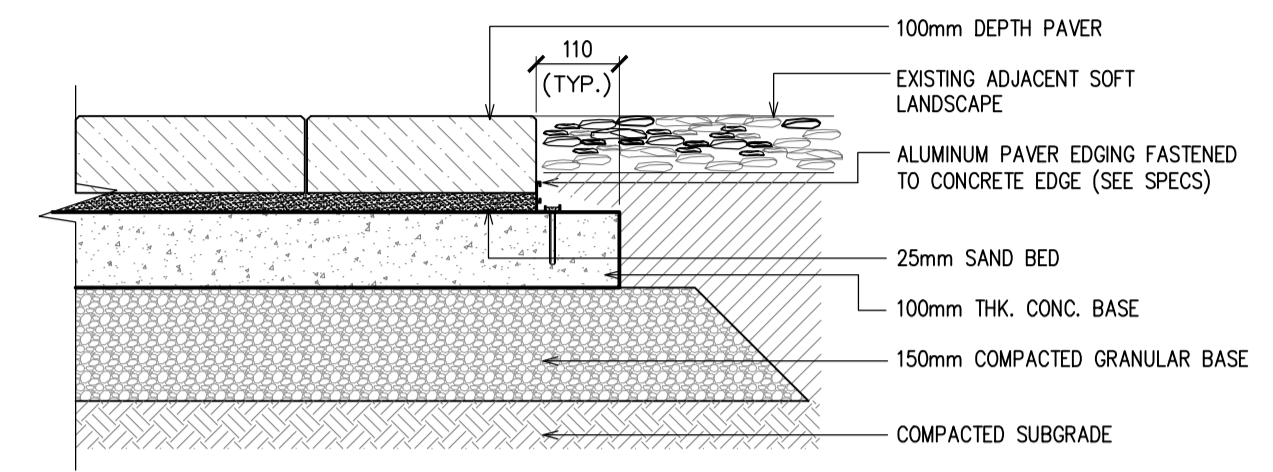
**1 MARKER AND ASPHALT**  
L1.1 SCALE 1:10



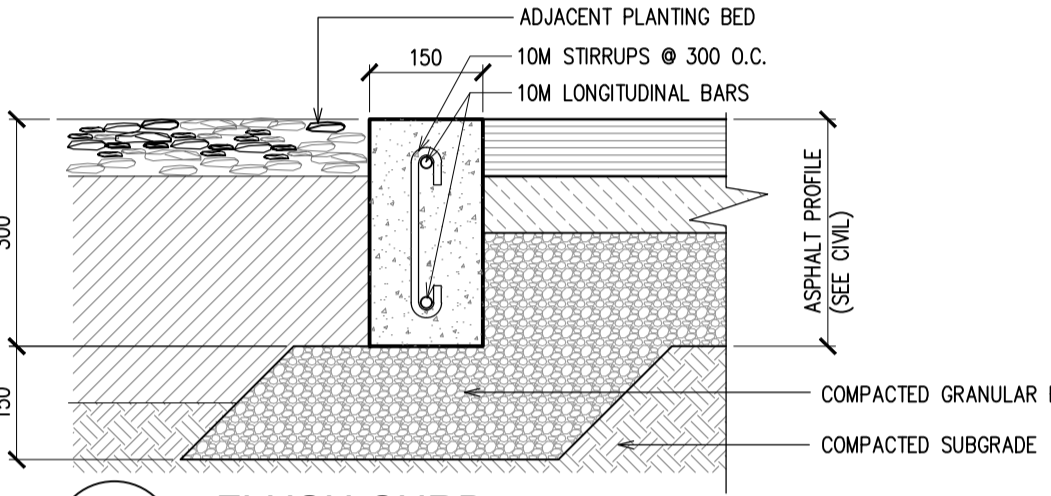
**2 TYP. MARKER @ CONCRETE**  
L1.1 SCALE 1:10



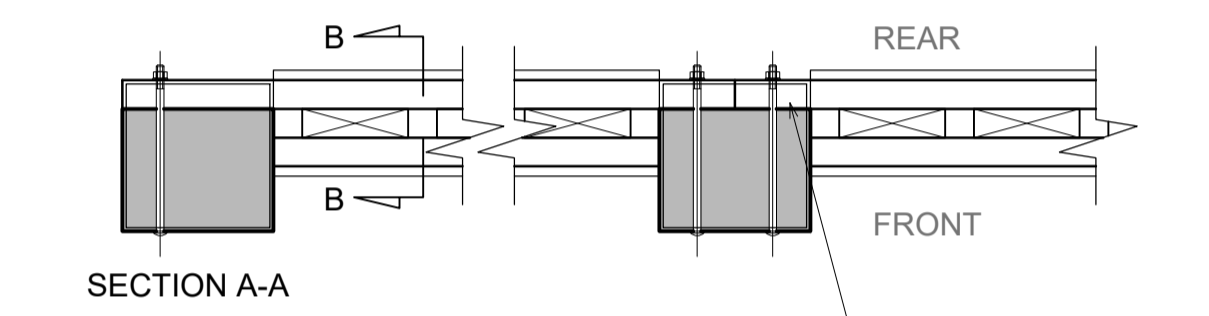
**3 MARKER EDGE**  
L1.1 SCALE 1:10



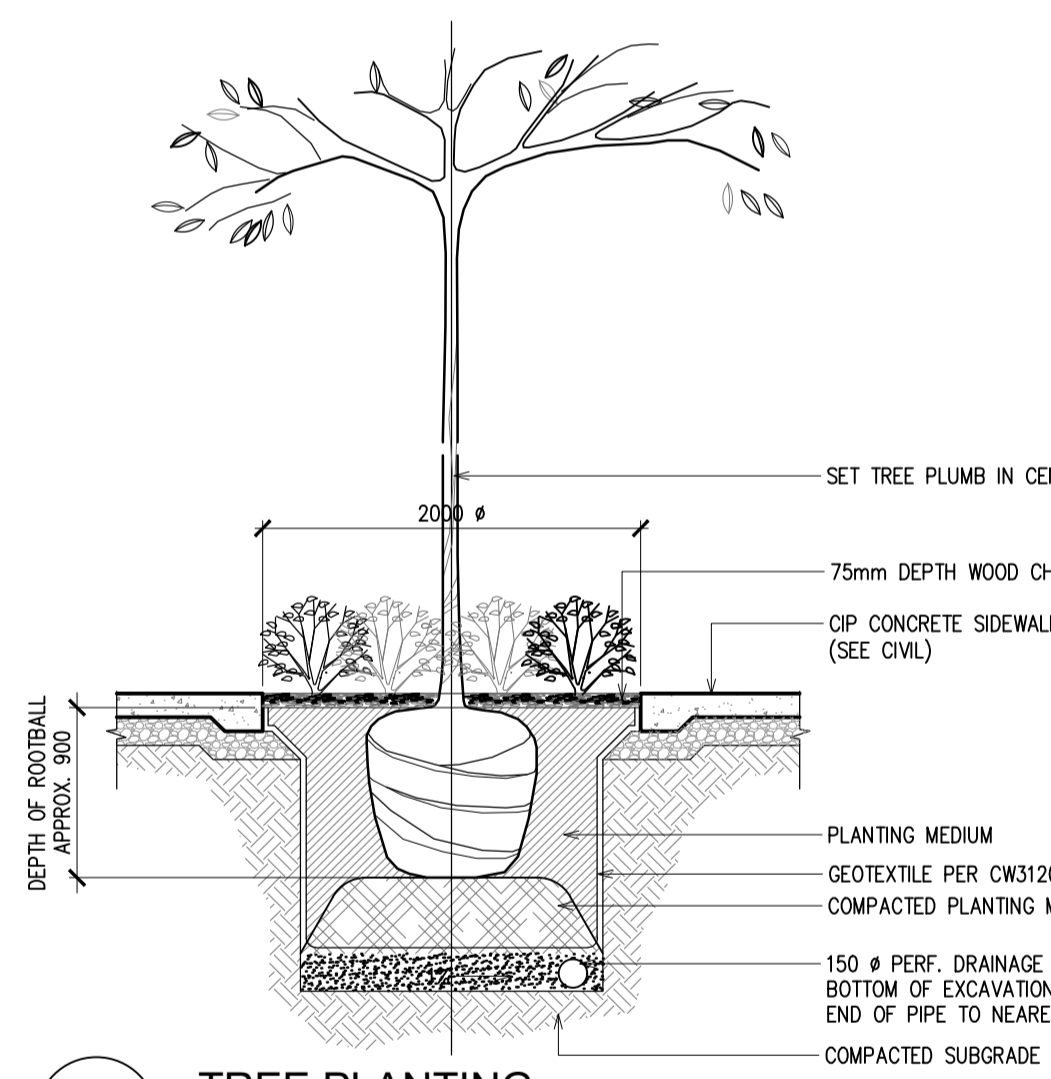
**4 TYP. MARKER @ SOFT LANDSCAPE**  
L1.1 SCALE 1:10



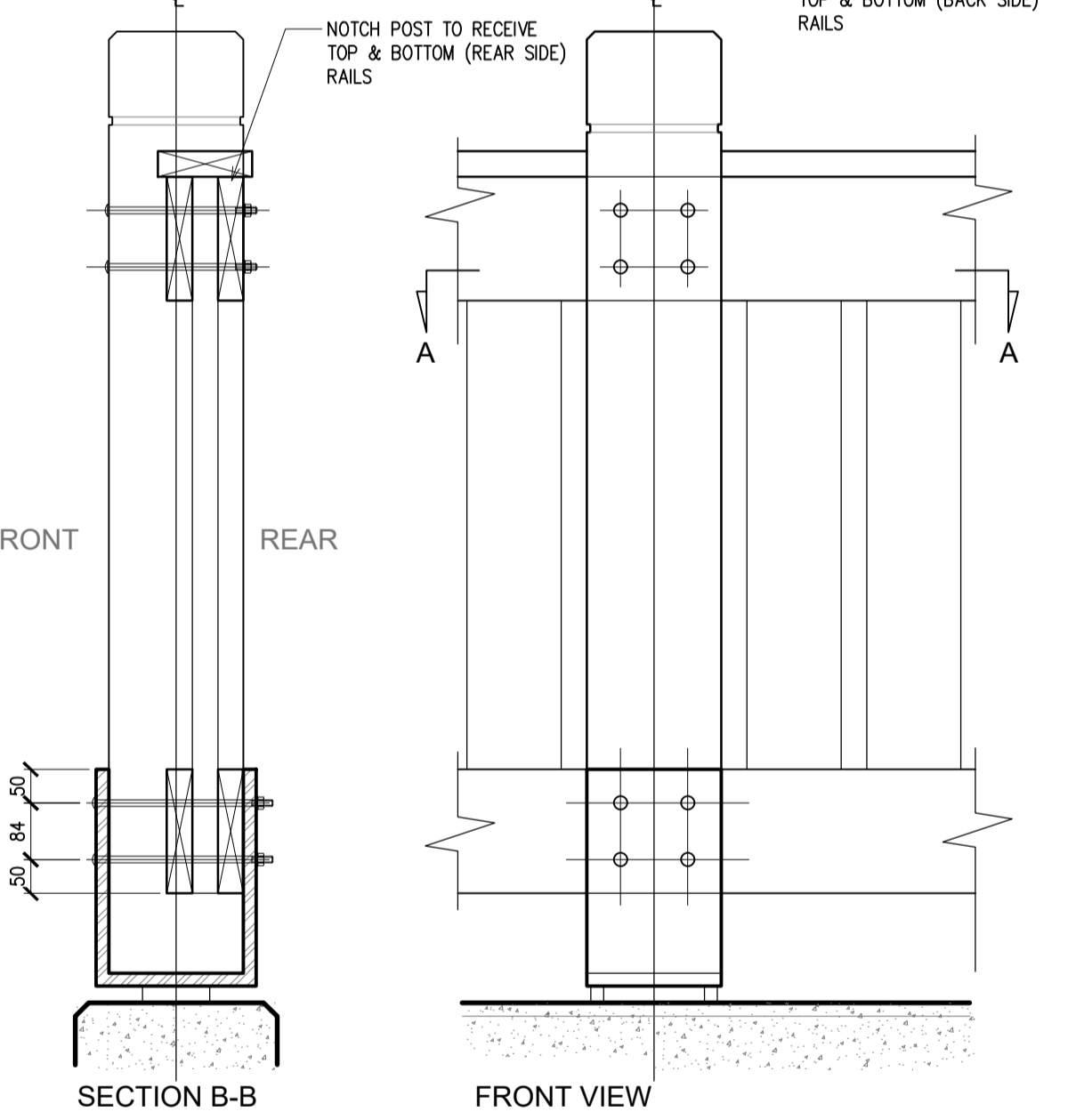
**5 FLUSH CURB**  
L1.1 SCALE 1:10



SECTION A-A

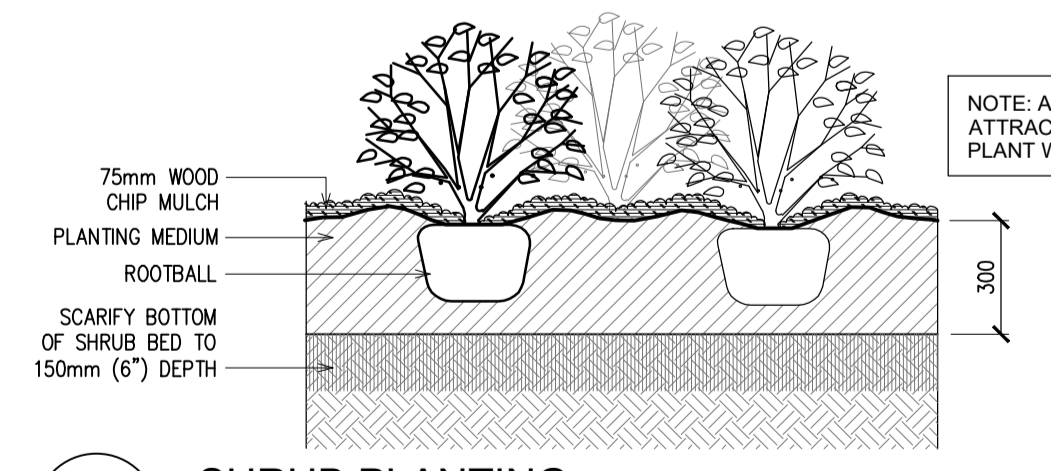


**6 TREE PLANTING**  
L1.1 SCALE NTS



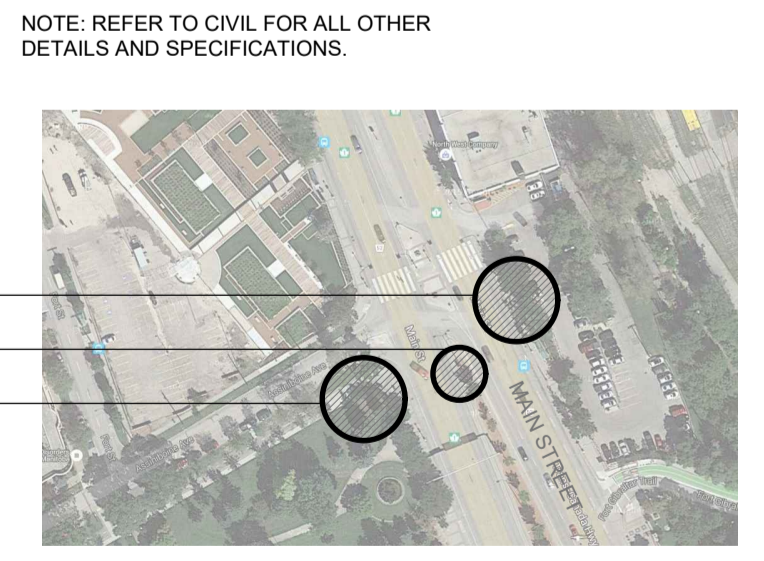
SECTION B-B

FRONT VIEW



**7 SHRUB PLANTING**  
L1.1 SCALE NTS

**8 NEW FENCE**  
L1.1 SCALE 1:10



LOCATION MAP

LOCATIONS APPROVED UNDERGROUND STRUCTURES		G.M. ELEV.
SIGNED BY:	DATE	
SUPV UG STRUCTURES		
LOCATION OF UNDERGROUND STRUCTURES AS SHOWN ARE BASED ON THE BEST INFORMATION AVAILABLE BUT NO GUARANTEE IS GIVEN THAT ALL EXISTING UTILITIES ARE SHOWN OR THAT THE GIVEN LOCATIONS ARE EXACT CONFIRMATION OF EXISTENCE AND EXACT LOCATION OF ALL SERVICES MUST BE OBTAINED FROM THE INDIVIDUAL UTILITIES BEFORE PROCEEDING		
A	ISSUED FOR TENDER	08.04.16 GM
NO.	REVISIONS	DATE BY

HTFC PLANNING & DESIGN	
DESIGNED BY: GM	CHECKED BY: GM
DRAWN BY: CA	APPROVED BY: GM
HOR. SCALE: AS NOTED	RELEASED FOR CONSTRUCTION
VERTICAL: -	DATE: 08.04.2016

ENGINEER'S SEAL  
Glen M...  
APR 18 2016  
CONSULTANT ACAD DWG. NO. L1.1

**THE CITY OF WINNIPEG**  
PUBLIC WORKS DEPARTMENT  
ENGINEERING SERVICES DIVISION

CITY OF WINNIPEG  
WINNIPEG BIKE PROJECTS

MAIN STREET AND ASSINIBOINE AVENUE  
PROPOSED BIKE PATH / SIDEWALK LANDSCAPE

CITY DRAWING NUMBER  
SHEET 1 OF 1  
BID NO. 312-2016

Apr 18, 2016 - 2:16pm  
x:\lab\Files\2015\15-078 Winnipeg Bike-Ped Projects 2015\SENT\01\_L1.1-08-04-2016\CAD\Main St to The Forks.dwg -tab:layout1