

FORM A: BID
(See B8)

1. Contract Title SUPPLY AND DELIVERY OF AG TRACTORS

2. Bidder

Name of Bidder

Usual Business Name of Bidder as it appears on Invoice (if different from above)

Street

City

Province

Postal Code

Email Address of Bidder

Facsimile Number

(Mailing address if different)

Street or P.O. Box

City

Province

Postal Code

GST Registration Number (if applicable)

The Bidder is:

(Choose one)

a sole proprietor

a partnership

a corporation

carrying on business under the above name.

3. Contact Person

The Bidder hereby authorizes the following contact person to represent the Bidder for purposes of the Bid.

Contact Person

Title

Telephone Number

Facsimile Number

Email Address

4. Definitions

All capitalized terms used in the Contract shall have the meanings ascribed to them in the General Conditions and D3.

5. Offer The Bidder hereby offers to perform the Work in accordance with the Contract for the price(s), in Canadian funds, set out on Form B: Prices, appended hereto.

6. Commencement of the Work The Bidder agrees that no Work shall commence until he/she is in receipt of a notice of award from the Award Authority authorizing the commencement of the Work.

7. Contract The Bidder agrees that the Bid Opportunity in its entirety shall be deemed to be incorporated in and to form a part of this offer notwithstanding that not all parts thereof are necessarily attached to or accompany this Bid.

8. Addenda The Bidder certifies that the following addenda have been received and agrees that they shall be deemed to form a part of the Contract:

No.	Dated
_____	_____
_____	_____
_____	_____

9. Time This offer shall be open for acceptance, binding and irrevocable for a period of sixty (60) Calendar Days following the Submission Deadline.

10. Signatures The Bidder or the Bidder's authorized official or officials have signed this _____ day of _____, 20_____ .

Signature of Bidder or
Bidder's Authorized Official or Officials

(Print here name and official capacity of individual whose signature appears above)

(Print here name and official capacity of individual whose signature appears above)

FORM B: PRICES
(See B9)

SUPPLY AND DELIVERY OF AG TRACTORS

UNIT PRICES

ITEM NO.	DESCRIPTION	SPEC. REF.	UNIT	QUANTITY	UNIT PRICE
1.	Ag Tractor 40HP PTO with Cab	16020	Each	1	
2.	Ag Tractor 50HP PTO (Open Station)	16021	Each	1	
3.	Ag Tractor 60HP PTO with Cab	16022	Each	1	
4.	Ag Tractor 85-90 HP PTO with Cab	16023	Each	2	
5.	Ag Tractor 20 HP PTO with Cab	16024	Each	1	

Name of Bidder

FORM N: DETAILED SPECIFICATIONS 16020
AG TRACTOR (40HP PTO) WITH CAB

1.0 DESCRIPTION OF EQUIPMENT

- 1.1 These specifications describe an **Ag Tractor** and other equipment and features as specified herein.
- 1.2 The **Ag Tractor** shall be a new 2016 model year or newer.
- 1.3 The **Ag Tractor** and all other items/components shall be the manufacturer's latest model. The equipment shall be furnished complete and ready for operation. Any parts or accessories not specifically mentioned, but which are required to complete and place the equipment and associated attachments in successful operation shall be furnished as though specifically mentioned in these specifications. The equipment and associated attachments, and all parts thereof, shall conform in strength and quality of material and workmanship, to the best standards and engineering practice of the industry.
- 1.4 It will be the responsibility of the Bidder to inform the City of any errors or omissions in these specifications, for under this Contract the Contractor shall be held responsible for the satisfactory operational function of the equipment.

2.0 OTHER SPECIFICATIONS AND STANDARDS

- 2.1 All applicable SAE standards form an integral part of these specifications and shall have precedence in any conflict concerning minimum acceptable standards.

- 2.2 The **Ag Tractor** shall comply with the applicable regulations:

National Safety Mark, NSM = <http://www.tc.gc.ca/eng/acts-regulations/acts-road.htm>

Manitoba Safety and Health Act, Parts 12, 22 =
<http://web2.gov.mb.ca/laws/statutes/ccsm/w210e.php> and <http://www.gov.mb.ca/labour/safety/>

Canadian Standards Association, CSA = <http://www.csa.ca/about/Default.asp?language=english>

Under Writers of Canada, U/L = <http://www.ulc.ca/>

Society of Automotive Engineers, SAE = <http://www.sae.org/>

City of Winnipeg Lighting Visibility
Standard=<http://winnipeg.ca/matmgt/pdfs/PublicWorksEquipLightingVisibility.pdf>.

- 2.3 It will be the responsibility of the Bidder to inform the City of any deficiencies in these specifications, for under this Contract the Contractor shall be held responsible for the design, performance, reliability and satisfactory operational function of the units.

3.0 SERVICE FACILITY

- 3.1 For the purpose of warranty repairs, the Bidder shall have an authorized service facility located within 10 km of the boundaries of the City of Winnipeg. The facility, or a portion thereof, shall be dedicated to the service and maintenance of the type equipment being offered. Further to B9.1, Bidders shall provide a description of the service facility including, but not limited to, number of qualified service staff, years of service experience, and general service capabilities within three (3) Business Days upon request of the Contract Administrator.

4.0 REFERENCES

- 4.1 Provide five (5) Canadian references where this equipment is used in a working environment where climatic conditions are similar to the City of Winnipeg.

5.0 MAKE & MODEL

- 5.1 **State** make, model and year of the equipment bid- _____

6.0 INSTRUCTIONS FOR COMPLETION OF SPECIFICATIONS

- 6.1 Each bid will be evaluated based on adherence to all terms, conditions and requirements outlined in the Bid Opportunity package.

- 6.2 All items in these specifications must be answered indicating compliance or non-compliance. **BIDDERS SHALL STATE "YES" FOR COMPLIANCE OR STATE DEVIATION**, or give reply where requested to do so. Deviations shall be clearly stated and fully detailed. Alternatives will be considered subject to evaluation.

- 6.3 **EACH BIDDER IS REQUIRED TO FILL IN EVERY BLANK. FAILURE TO DO SO MAY BE USED AS A BASIS FOR REJECTION OF BID**

7.0 PERFORMANCE RELIABILITY

- 7.1 The responsibility for the design of the **Ag Tractor**, its performance and reliability shall rest upon the Contractor.

- 7.2 The term "repeated failures" as used herein is defined to mean that the same component, subassembly, or assembly develops repeated defects, breakdowns and/or malfunctions rendering the vehicle inoperative, or requiring repeated shop correction, service and/or replacement during the warranty period applicable for said component, subassembly, of assembly. Minor items or ordinary service adjustments are not included, or considered under the scope of "repeated failures", as well as other factors, such as operational damage due to accidents, misuse or lack of proper maintenance, service and lubrication attention by not following the manufacturer's preventative maintenance schedule.

- 7.3 Where the **Ag Tractor** develops "repeated failures" in service, the Contractor shall make any necessary engineering changes, repairs, alterations or modifications in order to guarantee reliability of performance.

- 7.4 The equipment shall be capable of consistent top performance in City of Winnipeg Environment. Note: The City of Winnipeg has four seasons with ambient temperatures ranging from approximately 90°F (32°C) to -40°F (-40°C)

8.0 FUEL

- 8.1 Where applicable, all equipment must be fully fuelled upon delivery (no exceptions).

9.0 QUALIFICATIONS OF MANUFACTURER & CONTRACTOR

- 9.1 The manufacturer of the **Ag Tractor** shall have five (5) years continuous experience manufacturing the equipment.

9.2 The manufacturer shall have in effect a documented quality control program ensuring that the quality of materials and workmanship, including welding, conforms to the best standards and engineering practice of the industry.

9.3 The Contractor shall have five (5) years continuous experience servicing, repairing and maintaining **Ag Tractor and associated attachments** of the type being offered.

10.0 SPECIFICATIONS:

ENGINE

10.1	Engine type	Diesel, state manufacturer	_____
10.2	Tier	Tier IV interim or final, state	_____
10.3	Engine HP (Gross)	Approx. 48 HP	_____
10.4	PTO HP	Approx. 40 HP	_____
10.5	Anti-stall feature on engine	Protect engine and PTO from stalling when under heavy load	_____
10.6	Auto throttle	For synchronizing tractor speed and engine rpm	_____
10.7	Rated speed, RPM	State rated RPM Speed	_____
10.8	Air cleaner	Dry type air cleaner	_____
10.9	Fuel tank capacity	State capacity	_____
10.10	Throttle	Hand or foot throttle control, state	_____
10.11	Engine block heater	Cold weather operation	_____

ELECTRICAL

10.12	Alternator	Approx. 75 Amps, State	_____
-------	------------	-------------------------------	-------

DRIVE TRAIN

10.13	Transmission	Hydrostatic transmission 4 wheel drive, (3 speed with hi-low range)	_____
10.14	No. of speeds	State , No. of speeds for forward and reverse	_____
10.15	Brakes	Wet, multi disc	_____
10.16	Steering	Hydrostatic power steering	_____
10.17	Drive	4x4 (4 wheel drive)	_____

PTO

10.18	Type	Full independent of manual	_____
10.19	Rear (rpm)	Approx. 540 rpm	_____

HYDRAULICS

10.20	Pump gpm	State gpm	_____
10.21	Total flow	State total gpm flow	_____
10.22	Mid mount hydraulic couplers	Remote hydraulics with ability to control two separate functions, quick release connectors	_____
10.23	Rear mount hydraulic couplers	Remote hydraulics with ability to control two separate functions, quick release connectors	_____
10.24	Hitch lift	State hitch lift capacity	_____
10.25	Hitch category	Adjustable category I and II (3) point hitch	_____
10.26	Adjustable stabilizer linkage	To secure rear mounted attachments (check chains not acceptable).	_____
10.27	Safety chain bracket	3 point bracket (for hooking safety chains on draw bar)	_____

CAB

10.28	Instrumentation	Alternates, warning light- engine oil pressure light. Gauges – water, fuel, tachometer w/ hour meter	_____
10.29	Cab	Cab with heat and A/C with ROPS with seat belt	_____
10.30	Cab doors	Two (2) door opening	_____
10.31	Radio	AM/FM/CD or MP3	_____
10.32	Work lights	Front and rear work lights	_____
10.33	Seat	Air ride seat with compressor	_____
10.34	Wipers	Front and rear wiper/washer	_____
10.35	Air circulation	Cab air recirculation	_____
10.36	Rear window defrost	Electric grid on rear windows	_____
10.37	Mirrors	Rear view mirrors	_____
10.38	Roof vent (pop-up style)	Preferred but not required, state	_____
10.39	Sun visor	Front	_____
10.40	Cutter/breaker	Combination seat belt cutter and glass breaker	_____

10.41	Fire extinguisher	2.5 lbs. High volume ABC type, State location	_____
10.42	Safety lighting	Make and Model: Whelen L31 Series Super-LED, SAE Class 1 (or equivalent) Blue/Amber (individual control) Low Dome Beacon, 360 degree visibility. Wired through ignition, lights shall be wired for separate amber and separate blue labelled independently "winter", "off", "summer". The winter mode will turn on both blue and amber, the summer will only turn on the amber lights.	_____
10.43	Slow moving sign	Slow-moving vehicle warning triangle	_____
10.44	Signals and brake lights	Safety flasher and turn signals	_____
10.45	Back-up alarm	State dB	_____
10.46	Horn	Located on steering wheel or dash panel	_____

OPERATOR STATION
ERGONOMICS

10.47 Cab or station layout should provide a comfortable seating position for the 5th to the 95th percentile of personnel. Figure 1 below illustrates the variance between a 5th to a 95th percentile of North American males and females when seated.

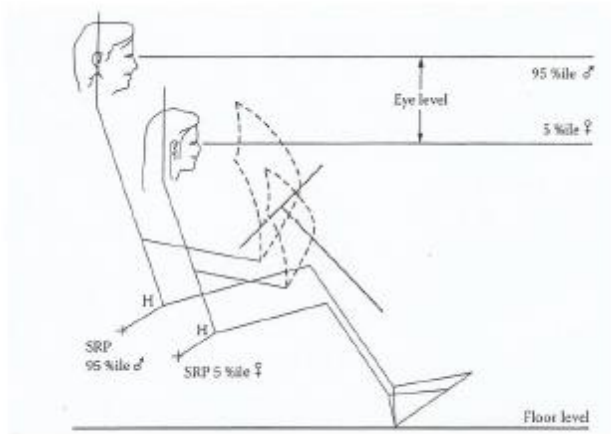
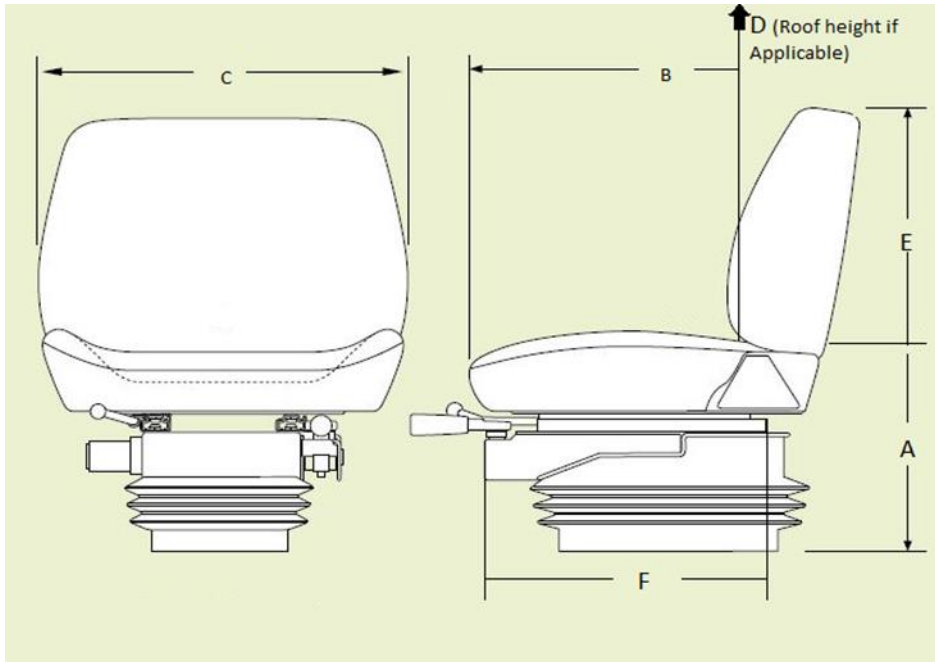


Figure 2: Use the below diagram to answer the specifications for Operator Station Ergonomics.



10.48	Sitting height range from floor (where feet rest) (A)	State , seat height range in inches	_____
10.49	Seat length/depth (B)	State , seat length/depth in inches	_____
10.50	Seat width (C)	State , seat width in inches	_____
10.51	Cab height from seat to roof (if applicable) (D)	State , cab height range in inches	_____
10.52	Back rest height (E)	State , back rest height in inches	_____
10.53	Seat travel range (F)	State , seat travel in inches	_____
10.54	Include any other relevant ergonomic specifications and applicable range of adjustment		_____

ELECTRICAL & REMOTE VALVES

10.55	Light socket	7 pin connector implement light socket	_____
10.56	Remote control valves	Two (2) pairs each mid and rear	_____

TIRES

10.57	One (1) set of turf R3 tires	Turf R3 tires, state tire size, make/model, front and rear	_____
10.58	One (1) set of industrial tractor R4 tires	Industrial tractor R4 tires, state tire size, make/model, front and rear	_____

DIMENSIONS

10.59	Length	State overall length with 3 point hitch	_____
10.60	Width	State overall width in inches	_____
10.61	Wheelbase	State wheelbase in inches	_____
10.62	Height	State height to top of cab in inches	_____
10.63	Weight	State total operating weight	_____
10.64	Radius	State turning radius	_____

WEIGHT KITS

10.65	Rear wheel weights	Rear removable weights, 4 in total approx. 180 lbs. each (2 per side). Total weight approx. 720 lbs.	_____
10.66	Front Detachable weights	Front bracket assembly with retaining pin, quick attach pin. Seven (7) approx. 55 lbs/each suitcase style weights. Total weight approx. 385 lbs.	_____

WARRANTY

11.1	Basic coverage	(Complete Machine) Warranty 2 years, 2000 hours	_____
11.2	Powertrain	(Engine, Transmission) Warranty 2 years 2000 hours	_____
11.3	Hydraulics warranty	(Hydraulics) Warranty 2 years, 2000 hours	_____
11.4	Batteries warranty	(Batteries) Warranty 1 year	_____
11.5	Tires warranty	(Tires) Warranty 1 year	_____
11.6	Electrical warranty	(Electrical) Warranty 2 years, 2000 hours	_____
11.7	All warranty information shall be detailed and include all exclusions. The successful bidder shall provide all published warranty information upon delivery of the equipment. Bidder shall state all warranty information.		_____

DELIVERY

12.1	Delivery Point: The complete unit shall be serviced, ready for operation and delivered F.O.B. with the freight prepaid, including invoice and N.I.V.S. (if applicable) to the WFMA 185 Tecumseh Street, Winnipeg MB. The successful bidder shall be notified by the Contractor Administrator the delivery address prior to issuance of the purchase order		_____
12.2	Delivery Time: Sixteen to eighteen (16-18) calendar weeks from the date of award. Equipment shall be delivered between 8:00 am and 3:00 pm on Business Days.		_____

12.3 Delivery Contact: The Contractor shall contact the Contract Administrator prior to delivery of the equipment. _____

12.4 P.D.I: A pre-delivery inspection shall be performed by the Contractor on the equipment. Proof upon inspection including completed check list _____

13.0 **MANUALS**

13.1 Manuals supplied under this Contract. The manuals shall cover the complete equipment including all components thereof, CD is preferred where available. _____

13.2 The following manuals shall be supplied with the units when delivered:

a) Operator's manual – Two (2) per unit (one operator manual shall be sent to the Equipment Operator Training Branch _____

b) Parts and service manuals – one (1) complete sets including preventative maintenance schedules. CDs are preferred. _____

14.0 **PARTS/LABOUR PRICING**

14.1 Bidder to provide City of Winnipeg Parts Discount % Pricing from retail parts pricing. **State percentage discount-** _____

14.2 Bidder to provide City of Winnipeg Labor Discount % Pricing from Retail shop labor rate. **State percentage discount-** _____

FORM N: DETAILED SPECIFICATIONS 16021
AG TRACTOR (50HP PTO) OPEN STATION

1.0 DESCRIPTION OF EQUIPMENT

- 1.1 These specifications describe an **Ag Tractor** and other equipment and features as specified herein.
- 1.2 The **Ag Tractor** shall be a new 2016 model year or newer.
- 1.3 The **Ag Tractor** and all other items/components shall be the manufacturer's latest model. The equipment shall be furnished complete and ready for operation. Any parts or accessories not specifically mentioned, but which are required to complete and place the equipment and associated attachments in successful operation shall be furnished as though specifically mentioned in these specifications. The equipment and associated attachments, and all parts thereof, shall conform in strength and quality of material and workmanship, to the best standards and engineering practice of the industry.
- 1.4 It will be the responsibility of the Bidder to inform the City of any errors or omissions in these specifications, for under this Contract the Contractor shall be held responsible for the satisfactory operational function of the equipment.

2.0 OTHER SPECIFICATIONS AND STANDARDS

- 2.1 All applicable SAE standards form an integral part of these specifications and shall have precedence in any conflict concerning minimum acceptable standards.

- 2.2 The **Ag Tractor** shall comply with the applicable regulations:

National Safety Mark, NSM = <http://www.tc.gc.ca/eng/acts-regulations/acts-road.htm>

Manitoba Safety and Health Act, Parts 12, 22 =
<http://web2.gov.mb.ca/laws/statutes/ccsm/w210e.php> and <http://www.gov.mb.ca/labour/safety/>

Canadian Standards Association, CSA = <http://www.csa.ca/about/Default.asp?language=english>

Under Writers of Canada, U/L = <http://www.ulc.ca/>

Society of Automotive Engineers, SAE = <http://www.sae.org/>

City of Winnipeg Lighting Visibility
Standard=<http://winnipeg.ca/matmgt/pdfs/PublicWorksEquipLightingVisibility.pdf>.

- 2.3 It will be the responsibility of the Bidder to inform the City of any deficiencies in these specifications, for under this Contract the Contractor shall be held responsible for the design, performance, reliability and satisfactory operational function of the units.

3.0 SERVICE FACILITY

- 3.1 For the purpose of warranty repairs, the Bidder shall have an authorized service facility located within 10 km of the boundaries of the City of Winnipeg. The facility, or a portion thereof, shall be dedicated to the service and maintenance of the type equipment being offered. Further to B9.1, Bidders shall provide a description of the service facility including, but not limited to, number of qualified service staff, years of service experience, and general service capabilities within three (3) Business Days upon request of the Contract Administrator.

4.0 REFERENCES

- 4.1 Provide five (5) Canadian references where this equipment is used in a working environment where climatic conditions are similar to the City of Winnipeg.

5.0 MAKE & MODEL

- 5.1 **State** make, model and year of the equipment bid- _____

6.0 INSTRUCTIONS FOR COMPLETION OF SPECIFICATIONS

- 6.1 Each bid will be evaluated based on adherence to all terms, conditions and requirements outlined in the Bid Opportunity package.

- 6.2 All items in these specifications must be answered indicating compliance or non-compliance. **BIDDERS SHALL STATE "YES" FOR COMPLIANCE OR STATE DEVIATION**, or give reply where requested to do so. Deviations shall be clearly stated and fully detailed. Alternatives will be considered subject to evaluation.

- 6.3 **EACH BIDDER IS REQUIRED TO FILL IN EVERY BLANK. FAILURE TO DO SO MAY BE USED AS A BASIS FOR REJECTION OF BID**

7.0 PERFORMANCE RELIABILITY

- 7.1 The responsibility for the design of the **Ag Tractor**, its performance and reliability shall rest upon the Contractor.

- 7.2 The term "repeated failures" as used herein is defined to mean that the same component, subassembly, or assembly develops repeated defects, breakdowns and/or malfunctions rendering the vehicle inoperative, or requiring repeated shop correction, service and/or replacement during the warranty period applicable for said component, subassembly, of assembly. Minor items or ordinary service adjustments are not included, or considered under the scope of "repeated failures", as well as other factors, such as operational damage due to accidents, misuse or lack of proper maintenance, service and lubrication attention by not following the manufacturer's preventative maintenance schedule.

- 7.3 Where the **Ag Tractor** develops "repeated failures" in service, the Contractor shall make any necessary engineering changes, repairs, alterations or modifications in order to guarantee reliability of performance.

- 7.4 The equipment shall be capable of consistent top performance in City of Winnipeg Environment. Note: The City of Winnipeg has four seasons with ambient temperatures ranging from approximately 90°F (32°C) to -40°F (-40°C)

8.0 FUEL

- 8.1 Where applicable, all equipment must be fully fuelled upon delivery (no exceptions).

9.0 QUALIFICATIONS OF MANUFACTURER & CONTRACTOR

- 9.1 The manufacturer of the **Ag Tractor** shall have five (5) years continuous experience manufacturing the equipment.

- 9.2 The manufacturer shall have in effect a documented quality control program ensuring that the quality of materials and workmanship, including welding, conforms to the best standards and engineering practice of the industry.
- 9.3 The Contractor shall have five (5) years continuous experience servicing, repairing and maintaining **Ag Tractor and associated attachments** of the type being offered.

10.0 SPECIFICATIONS:

ENGINE

10.1	Engine type	Diesel, state manufacturer	_____
10.2	Tier	Tier IV interim or final, state	_____
10.3	Engine HP (Gross)	Approx. 60 HP	_____
10.4	PTO HP	Approx. 50 HP	_____
10.5	Anti-stall feature on engine	Protect engine and PTO from stalling when under heavy load	_____
10.6	Auto throttle	For synchronizing tractor speed and engine rpm	_____
10.7	Rated speed, RPM	State rated RPM Speed	_____
10.8	Air cleaner	Dry type air cleaner	_____
10.9	Fuel tank capacity	State capacity	_____
10.10	Throttle	Hand or foot throttle control, state	_____
10.11	Engine block heater	Cold weather operation	_____

ELECTRICAL

10.12	Alternator	Approx. 45 Amps, State	_____
-------	------------	-------------------------------	-------

DRIVE TRAIN

10.13	Transmission	Hydrostatic transmission 4 wheel drive, (3 speed with hi-low range)	_____
10.14	No. of speeds	State , No. of speeds for forward and reverse	_____
10.15	Brakes	Wet, multi disc	_____
10.16	Steering	Hydrostatic power steering	_____
10.17	Drive	4x4 (4 wheel drive)	_____

PTO

10.18	Type	Full independent of manual	_____
10.19	Rear (rpm)	Approx. 540 rpm	_____

HYDRAULICS

10.20	Pump gpm	State gpm	_____
10.21	Total flow	State total gpm flow	_____
10.22	Mid mount hydraulic couplers	Remote hydraulics with ability to control two separate functions, quick release connectors	_____
10.23	Rear mount hydraulic couplers	Remote hydraulics with ability to control two separate functions, quick release connectors	_____
10.24	Hitch lift	State hitch lift capacity	_____
10.25	Hitch category	Adjustable category I and II (3) point hitch	_____
10.26	Adjustable stabilizer linkage	To secure rear mounted attachments (check chains not acceptable).	_____

OPERATOR STATION

10.27	Instrumentation	Alternates, warning light- engine oil pressure light. Gauges – water, fuel, tachometer w/ hour meter	_____
10.28	Hardtop canopy	Over operator station (attached to ROPS)	_____
10.29	Work lights	Front and rear work lights	_____
10.30	Seat	Adjustable seat, with mechanical suspension	_____
10.31	Fire extinguisher	2.5 lbs. High volume ABC type, State location	_____
10.32	Safety lighting	Make and model Hella MLB 100 (12-24 VDC) P/N H27996001. Nonmagnetic (LED Micro Light Bar) wired directly to the ignition, mounted slightly behind top to centered on top of ROPS.	_____
10.33	Signals and brake lights	Safety flasher and turn signals	_____
10.34	Slow moving sign	Slow-moving vehicle warning triangle	_____
10.35	Back-up alarm	State dB	_____
10.36	Horn	Located on steering wheel or dash panel	_____

**OPERATOR STATION
 ERGONOMICS**

10.37 Cab or station layout should provide a comfortable seating position for the 5th to the 95th percentile of personnel. Figure 1 below illustrates the variance between a 5th to a 95th percentile of North American males and females when seated.

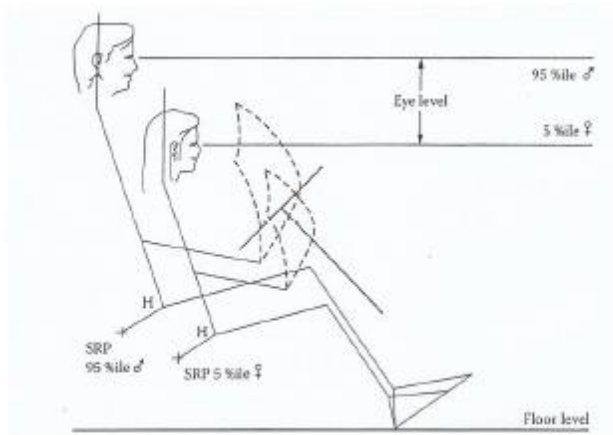
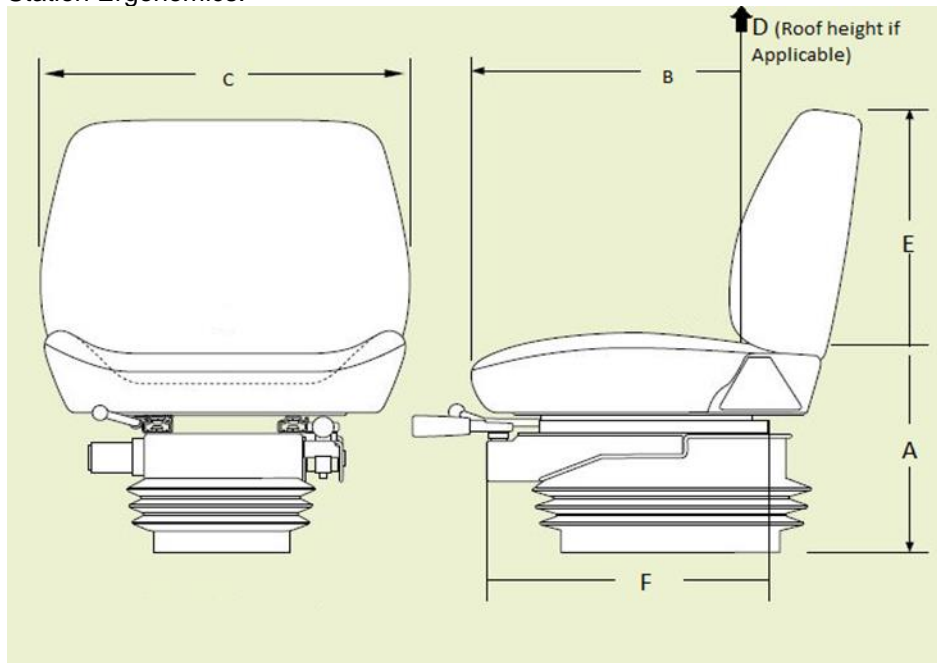


Figure 2: Use the below diagram to answer the specifications for Operator Station Ergonomics.



- | | | | |
|-------|---|--|-------|
| 10.38 | Sitting height range from floor (where feet rest) (A) | State , seat height range in inches | _____ |
| 10.39 | Seat length/depth (B) | State , seat length/depth in inches | _____ |
| 10.40 | Seat width (C) | State , seat width in inches | _____ |
| 10.41 | Cab height from seat to roof (if applicable) (D) | State , cab height range in inches | _____ |
| 10.42 | Back rest height (E) | State , back rest height in inches | _____ |

- | | | | |
|-------|--|--------------------------------------|-------|
| 10.43 | Seat travel range (F) | State , seat travel in inches | _____ |
| 10.44 | Include any other relevant ergonomic specifications and applicable range of adjustment | | _____ |

ELECTRICAL & REMOTE VALVES

- | | | | |
|-------|-----------------------|--|-------|
| 10.45 | Light socket | 7 pin connector implement light socket | _____ |
| 10.46 | Remote control valves | Two (2) pairs each mid and rear | _____ |

TIRES

- | | | | |
|-------|--|---|-------|
| 10.47 | One (1) set of turf R3 tires | Turf R3 tires, state tire size, make/model, front and rear | _____ |
| 10.48 | One (1) set of industrial tractor R4 tires | Industrial tractor R4 tires, state tire size, make/model, front and rear | _____ |

DIMENSIONS

- | | | | |
|-------|-----------|--|-------|
| 10.49 | Length | State overall length with 3 point hitch | _____ |
| 10.50 | Width | State overall width in inches | _____ |
| 10.51 | Wheelbase | State wheelbase in inches | _____ |
| 10.52 | Height | State height to top of cab in inches | _____ |
| 10.53 | Weight | State total operating weight | _____ |
| 10.54 | Radius | State turning radius | _____ |

WEIGHT KIT

- | | | | |
|-------|--------------------------|---|-------|
| 10.55 | Front Detachable weights | Front bracket assembly with retaining pin, quick attach pin. Seven (17) approx. 55 lbs/each suitcase style weights. Total weight approx. 385 lbs. | _____ |
|-------|--------------------------|---|-------|

WARRANTY

- | | | | |
|------|---------------------|--|-------|
| 11.1 | Basic coverage | (Complete Machine) Warranty 2 years, 2000 hours | _____ |
| 11.2 | Powertrain | (Engine, Transmission) Warranty 2 years 2000 hours | _____ |
| 11.3 | Hydraulics warranty | (Hydraulics) Warranty 2 years, 2000 hours | _____ |
| 11.4 | Batteries warranty | (Batteries) Warranty 1 year | _____ |

11.5 Tires warranty (Tires) Warranty 1 year _____

11.6 Electrical warranty (Electrical) Warranty 2 years,
2000 hours _____

11.7 All warranty information shall be detailed and include all exclusions. The
successful bidder shall provide all published warranty information upon delivery
of the equipment. Bidder shall state all warranty information. _____

12.0 **DELIVERY**

12.1 Delivery Point: The complete unit shall be serviced, ready for operation
and delivered F.O.B. with the freight prepaid, including invoice and N.I.V.S. (if
applicable) to the WFMA 185 Tecumseh Street, Winnipeg MB. The successful
bidder shall be notified by the Contractor Administrator the delivery address prior
to issuance of the purchase order _____

12.2 Delivery Time: **Sixteen to eighteen (16-18) calendar weeks** from the date of
award. Equipment shall be delivered between 8:00 am and 3:00 pm on
Business Days. _____

12.3 Delivery Contact: The Contractor shall contact the Contract Administrator
prior to delivery of the equipment. _____

12.4 P.D.I: A pre-delivery inspection shall be performed by the Contractor on the
equipment. Proof upon inspection including completed check list _____

13.0 **MANUALS**

13.1 Manuals supplied under this Contract. The manuals shall cover the
complete equipment including all components thereof, CD is preferred where
available. _____

13.2 The following manuals shall be supplied with the units when delivered: _____

a) Operator's manual – Two (2) per unit (one operator manual shall
be sent to the Equipment Operator Training Branch _____

b) Parts and service manuals – one (1) complete sets including preventative
maintenance schedules. CDs are preferred. _____

14.0 **PARTS/LABOUR PRICING**

14.1 Bidder to provide City of Winnipeg Parts Discount % Pricing from retail parts
pricing. **State percentage discount-** _____

14.2 Bidder to provide City of Winnipeg Labor Discount % Pricing from Retail shop
labor rate. **State percentage discount-** _____

FORM N: DETAILED SPECIFICATIONS 16022
AG TRACTOR (60HP PTO) WITH CAB

1.0 DESCRIPTION OF EQUIPMENT

- 1.1 These specifications describe an **Ag Tractor** and other equipment and features as specified herein.
- 1.2 The **Ag Tractor** shall be a new 2016 model year or newer.
- 1.3 The **Ag Tractor** and all other items/components shall be the manufacturer's latest model. The equipment shall be furnished complete and ready for operation. Any parts or accessories not specifically mentioned, but which are required to complete and place the equipment and associated attachments in successful operation shall be furnished as though specifically mentioned in these specifications. The equipment and associated attachments, and all parts thereof, shall conform in strength and quality of material and workmanship, to the best standards and engineering practice of the industry.
- 1.4 It will be the responsibility of the Bidder to inform the City of any errors or omissions in these specifications, for under this Contract the Contractor shall be held responsible for the satisfactory operational function of the equipment.

2.0 OTHER SPECIFICATIONS AND STANDARDS

- 2.1 All applicable SAE standards form an integral part of these specifications and shall have precedence in any conflict concerning minimum acceptable standards.

- 2.2 The **Ag Tractor** shall comply with the applicable regulations:

National Safety Mark, NSM = <http://www.tc.gc.ca/eng/acts-regulations/acts-road.htm>

Manitoba Safety and Health Act, Parts 12, 22 =
<http://web2.gov.mb.ca/laws/statutes/ccsm/w210e.php> and <http://www.gov.mb.ca/labour/safety/>

Canadian Standards Association, CSA = <http://www.csa.ca/about/Default.asp?language=english>

Under Writers of Canada, U/L = <http://www.ulc.ca/>

Society of Automotive Engineers, SAE = <http://www.sae.org/>

City of Winnipeg Lighting Visibility
Standard=<http://winnipeg.ca/matmgt/pdfs/PublicWorksEquipLightingVisibility.pdf>.

- 2.3 It will be the responsibility of the Bidder to inform the City of any deficiencies in these specifications, for under this Contract the Contractor shall be held responsible for the design, performance, reliability and satisfactory operational function of the units.

3.0 SERVICE FACILITY

- 3.1 For the purpose of warranty repairs, the Bidder shall have an authorized service facility located within 10 km of the boundaries of the City of Winnipeg. The facility, or a portion thereof, shall be dedicated to the service and maintenance of the type equipment being offered. Further to B9.1, Bidders shall provide a description of the service facility including, but not limited to, number of qualified service staff, years of service experience, and general service capabilities within three (3) Business Days upon request of the Contract Administrator.

4.0 REFERENCES

- 4.1 Provide five (5) Canadian references where this equipment is used in a working environment where climatic conditions are similar to the City of Winnipeg.

5.0 MAKE & MODEL

- 5.1 **State** make, model and year of the equipment bid- _____
-

6.0 INSTRUCTIONS FOR COMPLETION OF SPECIFICATIONS

- 6.1 Each bid will be evaluated based on adherence to all terms, conditions and requirements outlined in the Bid Opportunity package.

- 6.2 All items in these specifications must be answered indicating compliance or non-compliance. **BIDDERS SHALL STATE "YES" FOR COMPLIANCE OR STATE DEVIATION**, or give reply where requested to do so. Deviations shall be clearly stated and fully detailed. Alternatives will be considered subject to evaluation.

- 6.3 **EACH BIDDER IS REQUIRED TO FILL IN EVERY BLANK. FAILURE TO DO SO MAY BE USED AS A BASIS FOR REJECTION OF BID**

7.0 PERFORMANCE RELIABILITY

- 7.1 The responsibility for the design of the **Ag Tractor**, its performance and reliability shall rest upon the Contractor.

- 7.2 The term "repeated failures" as used herein is defined to mean that the same component, subassembly, or assembly develops repeated defects, breakdowns and/or malfunctions rendering the vehicle inoperative, or requiring repeated shop correction, service and/or replacement during the warranty period applicable for said component, subassembly, of assembly. Minor items or ordinary service adjustments are not included, or considered under the scope of "repeated failures", as well as other factors, such as operational damage due to accidents, misuse or lack of proper maintenance, service and lubrication attention by not following the manufacturer's preventative maintenance schedule.

- 7.3 Where the **Ag Tractor** develops "repeated failures" in service, the Contractor shall make any necessary engineering changes, repairs, alterations or modifications in order to guarantee reliability of performance.

- 7.4 The equipment shall be capable of consistent top performance in City of Winnipeg Environment. Note: The City of Winnipeg has four seasons with ambient temperatures ranging from approximately 90°F (32°C) to -40°F (-40°C)

8.0 FUEL

- 8.1 Where applicable, all equipment must be fully fuelled upon delivery (no exceptions).

9.0 QUALIFICATIONS OF MANUFACTURER & CONTRACTOR

- 9.1 The manufacturer of the **Ag Tractor** shall have five (5) years continuous experience manufacturing the equipment.

9.2 The manufacturer shall have in effect a documented quality control program ensuring that the quality of materials and workmanship, including welding, conforms to the best standards and engineering practice of the industry.

9.3 The Contractor shall have five (5) years continuous experience servicing, repairing and maintaining **Ag Tractor and associated attachments** of the type being offered.

10.0 **SPECIFICATIONS:**

ENGINE

10.1	Engine type	Diesel, state manufacturer	_____
10.2	Tier	Tier IV interim or final, state	_____
10.3	Engine HP (Gross)	Approx. 70 HP	_____
10.4	PTO HP	Approx. 60 HP	_____
10.5	Rated speed, RPM	State rated RPM Speed	_____
10.6	Air cleaner	Dry type air cleaner	_____
10.7	Fuel tank capacity	State capacity	_____
10.8	Throttle	Hand or foot throttle control, state	_____
10.9	Engine block heater	Cold weather operation	_____

ELECTRICAL

10.10	Alternator	Approx. 75 Amps, State	_____
-------	------------	-------------------------------	-------

DRIVE TRAIN

10.11	Transmission	Synchro shift with 12 speeds, wet disc clutch.	_____
10.12	No. of speeds	State , No. of speeds for forward and reverse	_____
10.13	Brakes	Wet, multi disc	_____
10.14	Steering	Hydrostatic power steering	_____
10.15	Drive	4x4 (4 wheel drive)	_____

PTO

10.16	Type	Full independent of manual	_____
10.17	Rear 540 rpm	Approx. 540/540E (with economy operation that lowers engine RPM to save fuel)	_____

HYDRAULICS

10.18	Pump gpm	State gpm	_____
10.19	Total flow	State total gpm flow	_____
10.20	Mid mount hydraulic couplers	Remote hydraulics with ability to control two separate functions, quick release connectors	_____
10.21	Rear mount hydraulic couplers	Remote hydraulics with ability to control Three separate functions, quick release connectors	_____
10.22	Hitch lift	State hitch lift capacity	_____
10.23	Hitch category	Adjustable category I and II (3) point hitch	_____
10.24	Adjustable stabilizer linkage	To secure rear mounted attachments (check chains not acceptable).	_____

CAB

10.25	Instrumentation	Alternates, warning light- engine oil pressure light. Gauges – water, fuel, tachometer w/ hour meter	_____
10.26	Cab	Cab with heat and A/C with ROPS with seat belt	_____
10.27	Cab doors	Two (2) door opening	_____
10.28	Radio	AM/FM/CD or MP3	_____
10.29	Work lights	Front and rear work lights	_____
10.30	Seat	Air ride seat with compressor	_____
10.31	Wipers	Front and rear wiper/washer	_____
10.32	Air circulation	Cab air recirculation	_____
10.33	Rear window defrost	Electric grid on rear windows	_____
10.34	Roof vent (pop-up style)	Preferred but not required, state	_____
10.35	Sun visor	Front	_____
10.36	Cutter/breaker	Combination seat belt cutter and glass breaker	_____
10.37	Fire extinguisher	2.5 lbs. High volume ABC type, State location	_____

10.38	Safety lighting	Make and Model: Whelen L31 Series Super-LED, SAE Class 1 (or equivalent) Blue/Amber (individual control) Low Dome Beacon, 360 degree visibility. Wired through ignition, lights shall be wired for separate amber and separate blue labelled independently "winter", "off", "summer". The winter mode will turn on both blue and amber, the summer will only turn on the amber lights.	_____
10.39	Slow moving sign	Slow-moving vehicle warning triangle	_____
10.40	Signals and brake lights	Safety flasher and turn signals	_____
10.41	Back-up alarm	State dB	_____
10.42	Horn	Located on steering wheel or dash panel	_____

OPERATOR STATION
ERGONOMICS

10.43 Cab or station layout should provide a comfortable seating position for the 5th to the 95th percentile of personnel. Figure 1 below illustrates the variance between a 5th to a 95th percentile of North American males and females when seated.

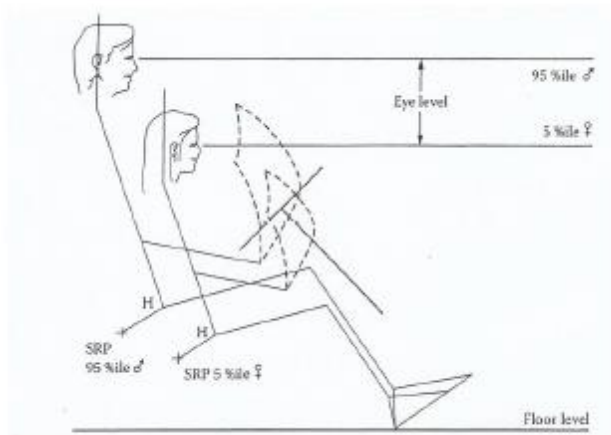
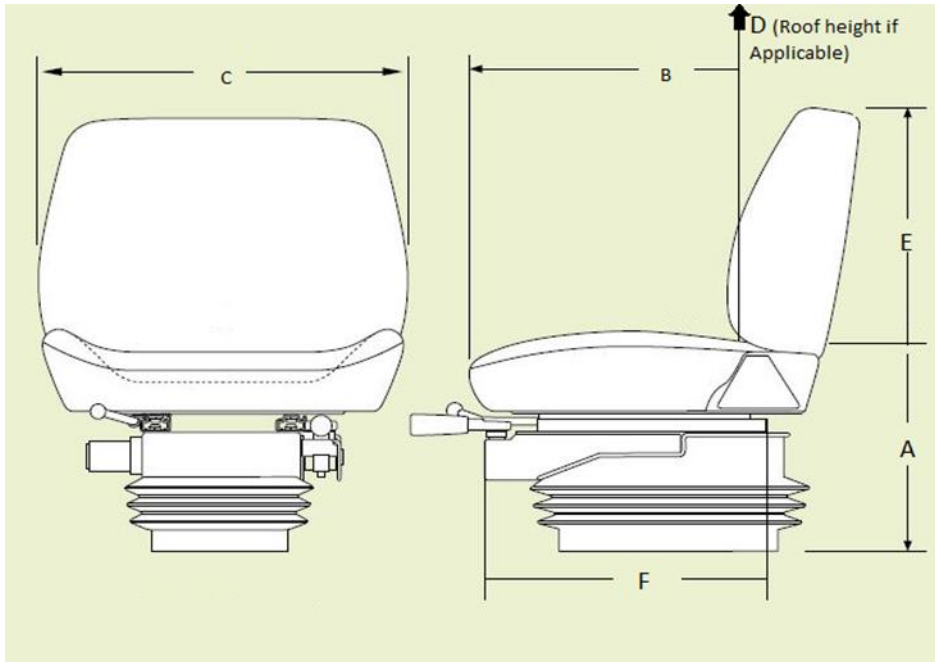


Figure 2: Use the below diagram to answer the specifications for Operator Station Ergonomics.



10.44	Sitting height range from floor (where feet rest) (A)	State , seat height range in inches	_____
10.45	Seat length/depth (B)	State , seat length/depth in inches	_____
10.46	Seat width (C)	State , seat width in inches	_____
10.47	Cab height from seat to roof (if applicable) (D)	State , cab height range in inches	_____
10.48	Back rest height (E)	State , back rest height in inches	_____
10.49	Seat travel range (F)	State , seat travel in inches	_____
10.50	Include any other relevant ergonomic specifications and applicable range of adjustment		_____

ELECTRICAL & REMOTE VALVES

10.51	Light socket	7 pin connector implement light socket	_____
10.52	Remote control valves	Three (3) pairs rear, two (2) pairs mid mount	_____

TIRES

10.53	Tire size, Industrial tractor R4	Industrial tractor R4 tires, state tire size, make/model, front and rear	_____
-------	----------------------------------	---	-------

DIMENSIONS

10.54	Length	State overall length with 3 point hitch	_____
-------	--------	--	-------

- 10.55 Width **State** overall width in inches _____
- 10.56 Wheelbase **State** wheelbase in inches _____
- 10.57 Height **State** height to top of cab in inches _____
- 10.58 Weight **State** total operating weight _____
- 10.59 Radius **State** turning radius _____

- 10.60 Loader Quick attachment and removal without tools. _____

Weight Kits

- 10.61 Front Detachable weights Front bracket assembly with retaining pin, quick attach pin. Ten (10) approx. 100 lbs/each suitcase style weights. Total weight approx. 1000 lbs. _____

11.0 **WARRANTY**

- 11.1 Basic coverage (Complete Machine) Warranty 2 years, 2000 hours _____
- 11.2 Powertrain (Engine, Transmission) Warranty 2 years 2000 hours _____
- 11.3 Hydraulics warranty (Hydraulics) Warranty 2 years, 2000 hours _____
- 11.4 Batteries warranty (Batteries) Warranty 1 year _____
- 11.5 Tires warranty (Tires) Warranty 1 year _____
- 11.6 Electrical warranty (Electrical) Warranty 2 years, 2000 hours _____

- 11.7 All warranty information shall be detailed and include all exclusions. The successful bidder shall provide all published warranty information upon delivery of the equipment. Bidder shall state all warranty information. _____

12.0 **DELIVERY**

- 12.1 Delivery Point: The complete unit shall be serviced, ready for operation and delivered F.O.B. with the freight prepaid, including invoice and N.I.V.S. (if applicable) to the WFMA 185 Tecumseh Street, Winnipeg MB. The successful bidder shall be notified by the Contractor Administrator the delivery address prior to issuance of the purchase order _____

- 12.2 Delivery Time: **Sixteen to eighteen (16-18) calendar weeks** from the date of award. Equipment shall be delivered between 8:00 am and 3:00 pm on Business Days. _____

- 12.3 Delivery Contact: The Contractor shall contact the Contract Administrator prior to delivery of the equipment. _____

12.4 P.D.I: A pre-delivery inspection shall be performed by the Contractor on the equipment. Proof upon inspection including completed check list _____

13.0 **MANUALS**

13.1 Manuals supplied under this Contract. The manuals shall cover the complete equipment including all components thereof, CD is preferred where available. _____

13.2 The following manuals shall be supplied with the units when delivered:

a) Operator's manual – Two (2) per unit (one operator manual shall be sent to the Equipment Operator Training Branch _____

b) Parts and service manuals – one (1) complete sets including preventative maintenance schedules. CDs are preferred. _____

14.0 **PARTS/LABOUR PRICING**

14.1 Bidder to provide City of Winnipeg Parts Discount % Pricing from retail parts pricing. **State percentage discount-** _____

14.2 Bidder to provide City of Winnipeg Labor Discount % Pricing from Retail shop labor rate. **State percentage discount-** _____

**FORM N: DETAILED SPECIFICATIONS 16023
AG TRACTOR (85-90HP PTO) WITH CAB**

1.0 DESCRIPTION OF EQUIPMENT

- 1.1 These specifications describe an **Ag Tractor** and other equipment and features as specified herein.
- 1.2 The **Ag Tractor** shall be a new 2016 model year or newer.
- 1.3 The **Ag Tractor** and all other items/components shall be the manufacturer's latest model. The equipment shall be furnished complete and ready for operation. Any parts or accessories not specifically mentioned, but which are required to complete and place the equipment and associated attachments in successful operation shall be furnished as though specifically mentioned in these specifications. The equipment and associated attachments, and all parts thereof, shall conform in strength and quality of material and workmanship, to the best standards and engineering practice of the industry.
- 1.4 It will be the responsibility of the Bidder to inform the City of any errors or omissions in these specifications, for under this Contract the Contractor shall be held responsible for the satisfactory operational function of the equipment.

2.0 OTHER SPECIFICATIONS AND STANDARDS

- 2.1 All applicable SAE standards form an integral part of these specifications and shall have precedence in any conflict concerning minimum acceptable standards.

- 2.2 The **Ag Tractor** shall comply with the applicable regulations:

National Safety Mark, NSM = <http://www.tc.gc.ca/eng/acts-regulations/acts-road.htm>

Manitoba Safety and Health Act, Parts 12, 22 =
<http://web2.gov.mb.ca/laws/statutes/ccsm/w210e.php> and <http://www.gov.mb.ca/labour/safety/>

Canadian Standards Association, CSA = <http://www.csa.ca/about/Default.asp?language=english>

Under Writers of Canada, U/L = <http://www.ulc.ca/>

Society of Automotive Engineers, SAE = <http://www.sae.org/>

City of Winnipeg Lighting Visibility
Standard=<http://winnipeg.ca/matmgt/pdfs/PublicWorksEquipLightingVisibility.pdf>.

- 2.3 It will be the responsibility of the Bidder to inform the City of any deficiencies in these specifications, for under this Contract the Contractor shall be held responsible for the design, performance, reliability and satisfactory operational function of the units.

3.0 SERVICE FACILITY

- 3.1 For the purpose of warranty repairs, the Bidder shall have an authorized service facility located within 10 km of the boundaries of the City of Winnipeg. The facility, or a portion thereof, shall be dedicated to the service and maintenance of the type equipment being offered. Further to B9.1, Bidders shall provide a description of the service facility including, but not limited to, number of qualified service staff, years of service experience, and general service capabilities within three (3) Business Days upon request of the Contract Administrator.

4.0 REFERENCES

- 4.1 Provide five (5) Canadian references where this equipment is used in a working environment where climatic conditions are similar to the City of Winnipeg.

5.0 MAKE & MODEL

- 5.1 **State** make, model and year of the equipment bid- _____

6.0 INSTRUCTIONS FOR COMPLETION OF SPECIFICATIONS

- 6.1 Each bid will be evaluated based on adherence to all terms, conditions and requirements outlined in the Bid Opportunity package.

- 6.2 All items in these specifications must be answered indicating compliance or non-compliance. **BIDDERS SHALL STATE "YES" FOR COMPLIANCE OR STATE DEVIATION**, or give reply where requested to do so. Deviations shall be clearly stated and fully detailed. Alternatives will be considered subject to evaluation.

- 6.3 **EACH BIDDER IS REQUIRED TO FILL IN EVERY BLANK. FAILURE TO DO SO MAY BE USED AS A BASIS FOR REJECTION OF BID**

7.0 PERFORMANCE RELIABILITY

- 7.1 The responsibility for the design of the **Ag Tractor**, its performance and reliability shall rest upon the Contractor.

- 7.2 The term “repeated failures” as used herein is defined to mean that the same component, subassembly, or assembly develops repeated defects, breakdowns and/or malfunctions rendering the vehicle inoperative, or requiring repeated shop correction, service and/or replacement during the warranty period applicable for said component, subassembly, of assembly. Minor items or ordinary service adjustments are not included, or considered under the scope of “repeated failures”, as well as other factors, such as operational damage due to accidents, misuse or lack of proper maintenance, service and lubrication attention by not following the manufacturer’s preventative maintenance schedule.

- 7.3 Where the **Ag Tractor** develops “repeated failures” in service, the Contractor shall make any necessary engineering changes, repairs, alterations or modifications in order to guarantee reliability of performance.

- 7.4 The equipment shall be capable of consistent top performance in City of Winnipeg Environment. Note: The City of Winnipeg has four seasons with ambient temperatures ranging from approximately 90°F (32°C) to -40°F (-40°C)

8.0 FUEL

- 8.1 Where applicable, all equipment must be fully fuelled upon delivery (no exceptions).

9.0 QUALIFICATIONS OF MANUFACTURER & CONTRACTOR

- 9.1 The manufacturer of the **Ag Tractor** shall have five (5) years continuous experience manufacturing the equipment.

9.2 The manufacturer shall have in effect a documented quality control program ensuring that the quality of materials and workmanship, including welding, conforms to the best standards and engineering practice of the industry.

9.3 The Contractor shall have five (5) years continuous experience servicing, repairing and maintaining **Ag Tractor and associated attachments** of the type being offered.

10.0 **SPECIFICATIONS:**

ENGINE

10.1	Engine type	Diesel, state manufacturer	_____
10.2	Tier	Tier IV interim or final, state	_____
10.3	Engine HP (Gross)	Approx. 95-100 HP	_____
10.4	PTO HP	Approx. 85-90 HP	_____
10.5	Rated speed, RPM	State rated RPM Speed	_____
10.6	Air cleaner	Dry type air cleaner	_____
10.7	Fuel tank capacity	State capacity	_____
10.8	Throttle	Hand or foot throttle control, state	_____
10.9	Engine block heater	Cold weather operation	_____

ELECTRICAL

10.10	Alternator	Approx. 90 Amps, State	_____
-------	------------	-------------------------------	-------

DRIVE TRAIN

10.11	Transmission	Multi speed power shift with at least 6 speeds.	_____
10.12	No. of speeds	State , No. of speeds for forward and reverse	_____
10.13	Brakes	Wet, multi disc	_____
10.14	Steering	Hydrostatic power steering	_____
10.15	Drive	4x4 (4 wheel drive)	_____

PTO

10.16	Type	Full independent of manual	_____
10.17	Rear (rpm)	Approx. 540/1000 rpm	_____

HYDRAULICS

10.18	Pump gpm	State gpm	_____
10.19	Total flow	State total gpm flow	_____
10.20	Mid mount hydraulic couplers	Remote hydraulics with ability to control two separate functions, quick release connectors	_____
10.21	Rear mount hydraulic couplers	Remote hydraulics with ability to control three separate functions, quick release connectors	_____
10.22	Hitch lift	State hitch lift capacity	_____
10.23	Hitch category	Category II (3) point hitch	_____
10.24	Implement hook up	Swinging drawbar with clevis required	
10.25	Adjustable stabilizer linkage	To secure rear mounted attachments (check chains not acceptable).	_____
	<u>CAB</u>		
10.26	Instrumentation	Alternates, warning light- engine oil pressure light. Gauges – water, fuel, tachometer w/ hour meter	_____
10.27	Cab	Cab with heat and A/C with ROPS with seat belt	_____
10.28	Cab doors	Two (2) door opening	_____
10.29	Radio	AM/FM/CD or MP3	_____
10.30	Work lights	Front and rear work lights	_____
10.31	Driver's Seat	Air ride seat with compressor	_____
10.32	Passenger Seat	For passenger/Instructor use, mounted on wheel well beside driver's seat with folding seat back and seat belt	_____
10.33	Wipers	Front and rear wiper/washer	_____
10.34	Air circulation	Cab air recirculation	_____
10.35	Rear window defrost	Electric grid on rear windows	_____
10.36	Roof vent (pop-up style)	Preferred but not required, state	_____
10.37	Sun visor	Front	_____
10.38	Cutter/breaker	Combination seat belt cutter and glass breaker	_____
10.39	Fire extinguisher	2.5 lbs. High volume ABC type, State location	_____

10.40	Safety lighting	Make and Model: Whelen L31 Series Super-LED, SAE Class 1 (or equivalent) Blue/Amber (individual control) Low Dome Beacon, 360 degree visibility. Wired through ignition, lights shall be wired for separate amber and separate blue labelled independently "winter", "off", "summer". The winter mode will turn on both blue and amber, the summer will only turn on the amber lights.	_____
10.41	Signals and brake lights	Safety flasher and turn signals	_____
10.42	Slow moving sign	Slow-moving vehicle warning triangle	_____
10.43	Back-up alarm	State dB	_____
10.44	Horn	Located on steering wheel or dash panel	_____

OPERATOR STATION
ERGONOMICS

10.45 Cab or station layout should provide a comfortable seating position for the 5th to the 95th percentile of personnel. Figure 1 below illustrates the variance between a 5th to a 95th percentile of North American males and females when seated.

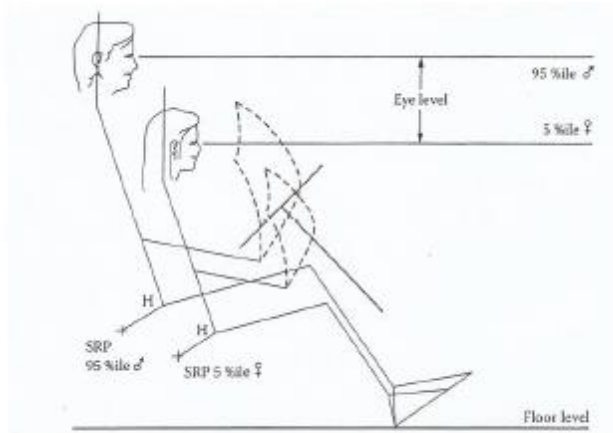
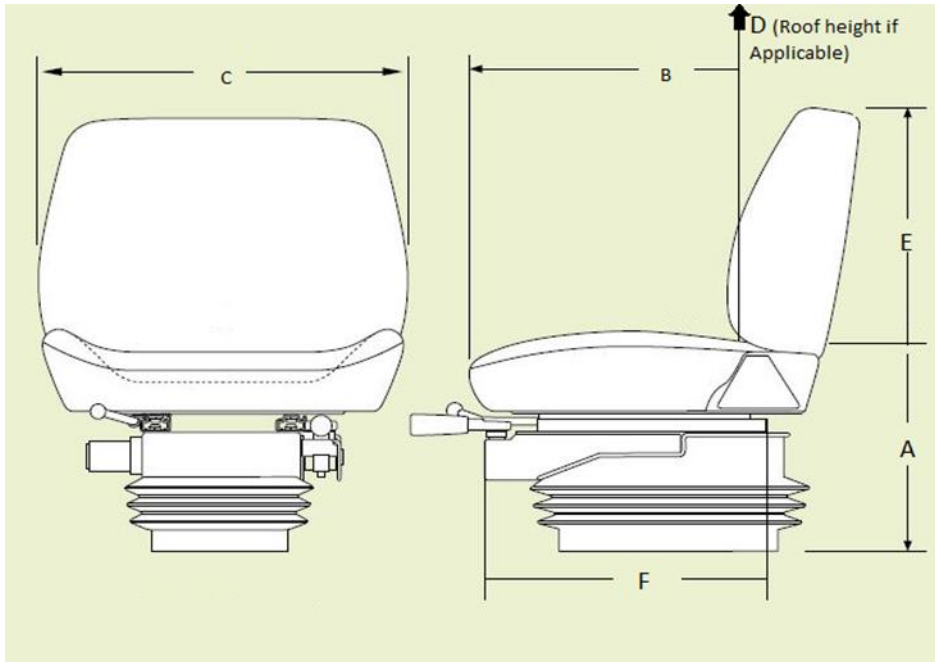


Figure 2: Use the below diagram to answer the specifications for Operator Station Ergonomics.



10.46	Sitting height range from floor (where feet rest) (A)	State , seat height range in inches	_____
10.47	Seat length/depth (B)	State , seat length/depth in inches	_____
10.48	Seat width (C)	State , seat width in inches	_____
10.49	Cab height from seat to roof (if applicable) (D)	State , cab height range in inches	_____
10.50	Back rest height (E)	State , back rest height in inches	_____
10.51	Seat travel range (F)	State , seat travel in inches	_____
10.52	Include any other relevant ergonomic specifications and applicable range of adjustment		_____

ELECTRICAL & REMOTE VALVES

10.53	Light socket	7 pin connector implement light socket	_____
10.54	Remote control valves	Three (3) pairs rear, two (2) pairs mid	_____

TIRES

10.55	Tire size, industrial tractor R4 tires	Industrial tractor R4 tires, state tire size, make/model, front and rear	_____
-------	--	---	-------

DIMENSIONS

10.56	Length	State overall length with 3 point hitch	_____
10.57	Width	State overall width in inches	_____

10.58	Wheelbase	State wheelbase in inches	_____
10.59	Height	State height to top of cab in inches	_____
10.60	Weight	State total operating weight	_____
10.61	Radius	State turning radius	_____

WEIGHT KIT

10.62	Front Detachable weights	Front bracket (approx. 160 lbs.) assembly with retaining pin, quick attach pin. Holds Twelve approx. 100 lbs/each suitcase style weights. Total weight approx. 1360 lbs.	_____
-------	--------------------------	--	-------

11.0 **WARRANTY**

11.1	Basic coverage	(Complete Machine) Warranty 2 years, 2000 hours	_____
11.2	Powertrain	(Engine, Transmission) Warranty 2 years 2000 hours	_____
11.3	Hydraulics warranty	(Hydraulics) Warranty 2 years, 2000 hours	_____
11.4	Batteries warranty	(Batteries) Warranty 1 year	_____
11.5	Tires warranty	(Tires) Warranty 1 year	_____
11.6	Electrical warranty	(Electrical) Warranty 2 years, 2000 hours	_____
11.7	All warranty information shall be detailed and include all exclusions. The successful bidder shall provide all published warranty information upon delivery of the equipment. Bidder shall state all warranty information.		_____

12.0 **DELIVERY**

12.1	Delivery Point: The complete unit shall be serviced, ready for operation and delivered F.O.B. with the freight prepaid, including invoice and N.I.V.S. (if applicable) to the WFMA 185 Tecumseh Street, Winnipeg MB. The successful bidder shall be notified by the Contractor Administrator the delivery address prior to issuance of the purchase order		_____
12.2	Delivery Time: Sixteen to eighteen (16-18) calendar weeks from the date of award. Equipment shall be delivered between 8:00 am and 3:00 pm on Business Days.		_____
12.3	Delivery Contact: The Contractor shall contact the Contract Administrator prior to delivery of the equipment.		_____
12.4	P.D.I: A pre-delivery inspection shall be performed by the Contractor on the equipment. Proof upon inspection including completed check list		_____

13.0 **MANUALS**

13.1 Manuals supplied under this Contract. The manuals shall cover the complete equipment including all components thereof, CD is preferred where available. _____

13.2 The following manuals shall be supplied with the units when delivered:

a) Operator's manual – Two (2) per unit (one operator manual shall be sent to the Equipment Operator Training Branch _____

b) Parts and service manuals – one (1) complete sets including preventative maintenance schedules. CDs are preferred. _____

14.0 **PARTS/LABOUR PRICING**

14.1 Bidder to provide City of Winnipeg Parts Discount % Pricing from retail parts pricing. **State percentage discount-** _____

14.2 Bidder to provide City of Winnipeg Labor Discount % Pricing from Retail shop labor rate. **State percentage discount-** _____

FORM N: DETAILED SPECIFICATIONS 16024
AG TRACTOR (20HP PTO) WITH CAB

1.0 DESCRIPTION OF EQUIPMENT

- 1.1 These specifications describe an **Ag Tractor** and other equipment and features as specified herein.
- 1.2 The **Ag Tractor** shall be a new 2016 model year or newer.
- 1.3 The **Ag Tractor** and all other items/components shall be the manufacturer's latest model. The equipment shall be furnished complete and ready for operation. Any parts or accessories not specifically mentioned, but which are required to complete and place the equipment and associated attachments in successful operation shall be furnished as though specifically mentioned in these specifications. The equipment and associated attachments, and all parts thereof, shall conform in strength and quality of material and workmanship, to the best standards and engineering practice of the industry.
- 1.4 It will be the responsibility of the Bidder to inform the City of any errors or omissions in these specifications, for under this Contract the Contractor shall be held responsible for the satisfactory operational function of the equipment.

2.0 OTHER SPECIFICATIONS AND STANDARDS

- 2.1 All applicable SAE standards form an integral part of these specifications and shall have precedence in any conflict concerning minimum acceptable standards.

- 2.2 The **Ag Tractor** shall comply with the applicable regulations:

National Safety Mark, NSM = <http://www.tc.gc.ca/eng/acts-regulations/acts-road.htm>

Manitoba Safety and Health Act, Parts 12, 22 =
<http://web2.gov.mb.ca/laws/statutes/ccsm/w210e.php> and <http://www.gov.mb.ca/labour/safety/>

Canadian Standards Association, CSA = <http://www.csa.ca/about/Default.asp?language=english>

Under Writers of Canada, U/L = <http://www.ulc.ca/>

Society of Automotive Engineers, SAE = <http://www.sae.org/>

City of Winnipeg Lighting Visibility
Standard=<http://winnipeg.ca/matmgt/pdfs/PublicWorksEquipLightingVisibility.pdf>.

- 2.3 It will be the responsibility of the Bidder to inform the City of any deficiencies in these specifications, for under this Contract the Contractor shall be held responsible for the design, performance, reliability and satisfactory operational function of the units.

3.0 SERVICE FACILITY

- 3.1 For the purpose of warranty repairs, the Bidder shall have an authorized service facility located within 10 km of the boundaries of the City of Winnipeg. The facility, or a portion thereof, shall be dedicated to the service and maintenance of the type equipment being offered. Further to B9.1, Bidders shall provide a description of the service facility including, but not limited to, number of qualified service staff, years of service experience, and general service capabilities within three (3) Business Days upon request of the Contract Administrator.

4.0 REFERENCES

- 4.1 Provide five (5) Canadian references where this equipment is used in a working environment where climatic conditions are similar to the City of Winnipeg.

5.0 MAKE & MODEL

- 5.1 **State** make, model and year of the equipment bid- _____

6.0 INSTRUCTIONS FOR COMPLETION OF SPECIFICATIONS

- 6.1 Each bid will be evaluated based on adherence to all terms, conditions and requirements outlined in the Bid Opportunity package.

- 6.2 All items in these specifications must be answered indicating compliance or non-compliance. **BIDDERS SHALL STATE "YES" FOR COMPLIANCE OR STATE DEVIATION**, or give reply where requested to do so. Deviations shall be clearly stated and fully detailed. Alternatives will be considered subject to evaluation.

- 6.3 **EACH BIDDER IS REQUIRED TO FILL IN EVERY BLANK. FAILURE TO DO SO MAY BE USED AS A BASIS FOR REJECTION OF BID**

7.0 PERFORMANCE RELIABILITY

- 7.1 The responsibility for the design of the **Ag Tractor**, its performance and reliability shall rest upon the Contractor.

- 7.2 The term "repeated failures" as used herein is defined to mean that the same component, subassembly, or assembly develops repeated defects, breakdowns and/or malfunctions rendering the vehicle inoperative, or requiring repeated shop correction, service and/or replacement during the warranty period applicable for said component, subassembly, of assembly. Minor items or ordinary service adjustments are not included, or considered under the scope of "repeated failures", as well as other factors, such as operational damage due to accidents, misuse or lack of proper maintenance, service and lubrication attention by not following the manufacturer's preventative maintenance schedule.

- 7.3 Where the **Ag Tractor** develops "repeated failures" in service, the Contractor shall make any necessary engineering changes, repairs, alterations or modifications in order to guarantee reliability of performance.

- 7.4 The equipment shall be capable of consistent top performance in City of Winnipeg Environment. Note: The City of Winnipeg has four seasons with ambient temperatures ranging from approximately 90°F (32°C) to -40°F (-40°C)

8.0 FUEL

- 8.1 Where applicable, all equipment must be fully fuelled upon delivery (no exceptions).

9.0 QUALIFICATIONS OF MANUFACTURER & CONTRACTOR

- 9.1 The manufacturer of the **Ag Tractor** shall have five (5) years continuous experience manufacturing the equipment.

9.2 The manufacturer shall have in effect a documented quality control program ensuring that the quality of materials and workmanship, including welding, conforms to the best standards and engineering practice of the industry.

9.3 The Contractor shall have five (5) years continuous experience servicing, repairing and maintaining **Ag Tractor and associated attachments** of the type being offered.

10.0 **SPECIFICATIONS:**

ENGINE

10.1	Engine type	Diesel, state manufacturer	_____
10.2	Tier	Tier IV interim or final, state	_____
10.3	Engine HP (Gross)	Approx. 24-25 HP	_____
10.4	PTO HP	Approx. 18-20 HP	_____
10.5	Rated speed, RPM	State rated RPM Speed	_____
10.6	Air cleaner	Dry type air cleaner	_____
10.7	Fuel tank capacity	State capacity	_____
10.8	Throttle	Hand or foot throttle control, state	_____
10.9	Engine block heater	Cold weather operation	_____

ELECTRICAL

10.10	Alternator	Approx. 40 Amps, State	_____
-------	------------	-------------------------------	-------

DRIVE TRAIN

10.11	Transmission	Hydrostatic transmission 4 wheel drive	_____
10.12	No. of speeds	State , No. of speeds for forward and reverse	_____
10.13	Brakes	Wet, multi disc	_____
10.14	Steering	Hydrostatic power steering	_____
10.15	Drive	4x4 (4 wheel drive)	_____

PTO

10.16	Type	Full independent of manual	_____
10.17	Rear (rpm)	Approx. 540 rpm	_____
10.18	Mid PTO (rpm)	Approx. 2000 rpm	_____

HYDRAULICS

10.19	Pump gpm	State gpm	_____
10.20	Total flow	State total gpm flow	_____
10.21	mid mount hydraulic couplers	Remote hydraulics with ability to control two separate functions, quick release connectors	_____
10.22	Hitch lift	State hitch lift capacity	_____
10.23	Hitch category	Category I (3) point hitch	_____
10.24	Adjustable stabilizer linkage	To secure rear mounted attachments (check chains not acceptable).	_____
 <u>CAB</u>			
10.25	Instrumentation	Alternates, warning light- engine oil pressure light. Gauges – water, fuel, tachometer w/ hour meter	_____
10.26	Cab	Cab with heat with ROPS with seat belt	_____
10.27	Cab doors	Two (2) door opening	_____
10.28	Radio	AM/FM/CD or MP3	_____
10.29	Work lights	Front and rear work lights	_____
10.30	Seat	Adjustable seat, with mechanical suspension	_____
10.31	Wipers	Front and rear wiper/washer	_____
10.32	Air circulation	Cab air recirculation	_____
10.33	Rear window defrost	Electric grid on rear windows	_____
10.34	Roof vent (pop-up style)	Preferred but not required, state	_____
10.35	Sun visor	Front	_____
10.36	Cutter/breaker	Combination seat belt cutter and glass breaker	_____
10.37	Fire extinguisher	Two (2.5) lbs. High volume ABC type, State location	_____
10.38	Safety lighting	Make and Model: Whelen L31 Series Super-LED, SAE Class 1 (or equivalent) Blue/Amber (individual control) Low Dome Beacon, 360 degree visibility. Wired through ignition, lights shall be wired for separate amber and separate blue labelled independently “winter”, “off”, “summer”. The winter mode will turn on both blue and amber, the summer will only turn on the amber lights.	_____
10.39	Signals and brake lights	Safety flasher and turn signals	_____

- | | | | |
|-------|------------------|---|-------|
| 10.40 | Slow moving sign | Slow-moving vehicle warning triangle | _____ |
| 10.41 | Back-up alarm | State dB | _____ |
| 10.42 | Horn | Located on steering wheel or dash panel | _____ |

OPERATOR STATION
ERGONOMICS

- 10.43 Cab or station layout should provide a comfortable seating position for the 5th to the 95th percentile of personnel. Figure 1 below illustrates the variance between a 5th to a 95th percentile of North American males and females when seated.

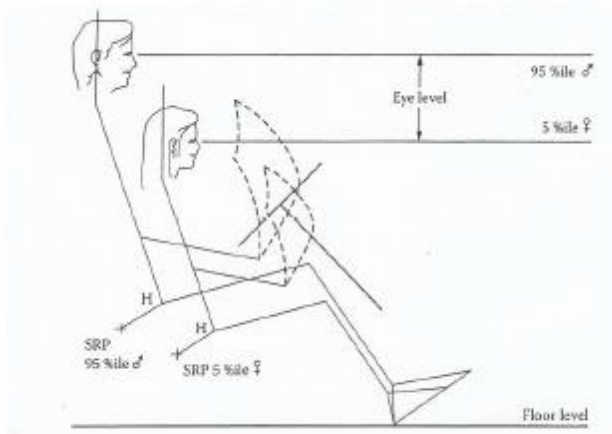
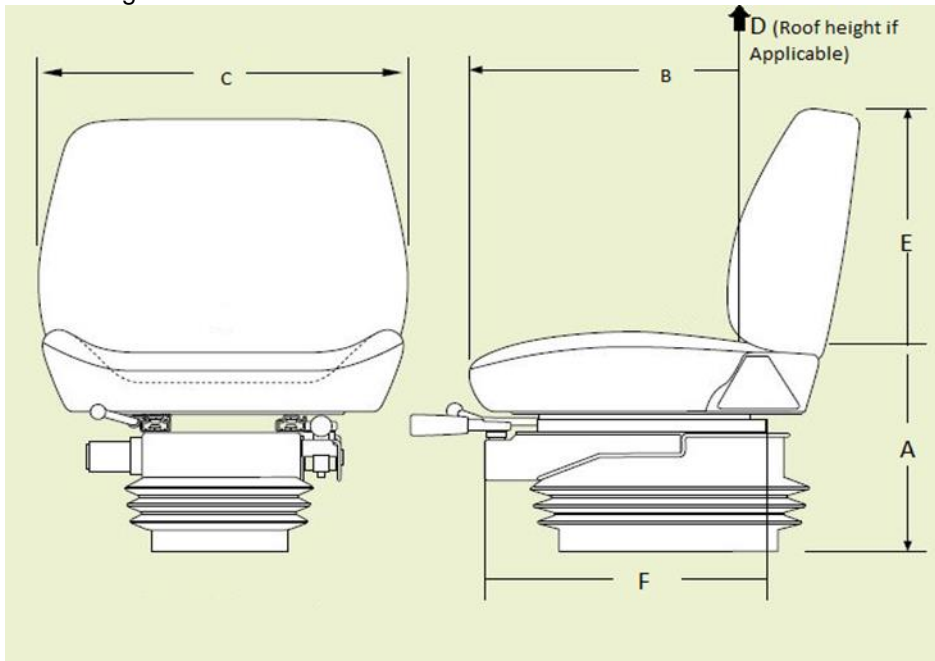


Figure 2: Use the below diagram to answer the specifications for Operator Station Ergonomics.



- | | | | |
|-------|---|---|-------|
| 10.44 | Sitting height range from floor (where feet rest) (A) | State, seat height range in inches | _____ |
|-------|---|---|-------|

10.45	Seat length/depth (B)	State , seat length/depth in inches	_____
10.46	Seat width (C)	State , seat width in inches	_____
10.47	Cab height from seat to roof (if applicable) (D)	State , cab height range in inches	_____
10.48	Back rest height (E)	State , back rest height in inches	_____
10.49	Seat travel range (F)	State , seat travel in inches	_____
10.50	Include any other relevant ergonomic specifications and applicable range of adjustment		

ELECTRICAL & REMOTE VALVES

10.51	Light socket	7 pin connector implement light socket	_____
10.52	Remote control valves	Two (2) pairs	_____

TIRES

10.53	Tire size, industrial tractor R4	Industrial tractor R4 tires, state tire size, make/model, front and rear	_____
-------	----------------------------------	---	-------

DIMENSIONS

10.54	Length	State overall length with 3 point hitch	_____
10.55	Width	State overall width in inches	_____
10.56	Wheelbase	State wheelbase in inches	_____
10.57	Height	State height to top of cab in inches	_____
10.58	Weight	State total operating weight	_____
10.59	Radius	State turning radius	_____

ATTACHMENTS

10.60	Snow blower (front mount)	Two stage PTO driven, width approx. 48 inches, state	_____
10.61	Rear Quick Attach hitch	Category 1, with adjustable top hook mounted to rear 3-point hitch of tractor	_____
10.62	Rear blade (pivoting)	Width approx. 48 inches, state	_____

11.0 **WARRANTY**

11.1	Basic coverage	(Complete Machine) Warranty 2 years, 2000 hours	_____
------	----------------	---	-------

- 11.2 Powertrain (Engine, Transmission) Warranty 2 years 2000 hours _____
- 11.3 Hydraulics warranty (Hydraulics) Warranty 2 years, 2000 hours _____
- 11.4 Batteries warranty (Batteries) Warranty 1 year _____
- 11.5 Tires warranty (Tires) Warranty 1 year _____
- 11.6 Electrical warranty (Electrical) Warranty 2 years, 2000 hours _____
- 11.7 All warranty information shall be detailed and include all exclusions. The successful bidder shall provide all published warranty information upon delivery of the equipment. Bidder shall state all warranty information. _____
- 12.0 **DELIVERY**
- 12.1 Delivery Point: The complete unit shall be serviced, ready for operation and delivered F.O.B. with the freight prepaid, including invoice and N.I.V.S. (if applicable) to the WFMA 185 Tecumseh Street, Winnipeg MB. The successful bidder shall be notified by the Contractor Administrator the delivery address prior to issuance of the purchase order _____
- 12.2 Delivery Time: **Sixteen to eighteen (16-18) calendar weeks** from the date of award. Equipment shall be delivered between 8:00 am and 3:00 pm on Business Days. _____
- 12.3 Delivery Contact: The Contractor shall contact the Contract Administrator prior to delivery of the equipment. _____
- 12.4 P.D.I: A pre-delivery inspection shall be performed by the Contractor on the equipment. Proof upon inspection including completed check list _____
- 13.0 **MANUALS**
- 13.1 Manuals supplied under this Contract. The manuals shall cover the complete equipment including all components thereof, CD is preferred where available. _____
- 13.2 The following manuals shall be supplied with the units when delivered:
- a) Operator's manual – Two (2) per unit (one operator manual shall be sent to the Equipment Operator Training Branch _____
- b) Parts and service manuals – one (1) complete sets including preventative maintenance schedules. CDs are preferred. _____
- 14.0 **PARTS/LABOUR PRICING**
- 14.1 Bidder to provide City of Winnipeg Parts Discount % Pricing from retail parts pricing. **State percentage discount-** _____
- 14.2 Bidder to provide City of Winnipeg Labor Discount % Pricing from Retail shop labor rate. **State percentage discount-** _____