

MATERIALS

COMPOSITE SLATS:
- 89mm x 89mm COMPOSITE BOARDS
- CEDAR TONE FINISH

METAL OPTIONS:

- **BLACK POWDERCOATED** - (Metal suitably cleaned to remove any grease, wax etc. for proper paint bonding to occur. Base coat Zinc rich primer. Baked with a final thickness of paint between 5-8 mil - **Product # 52501086**

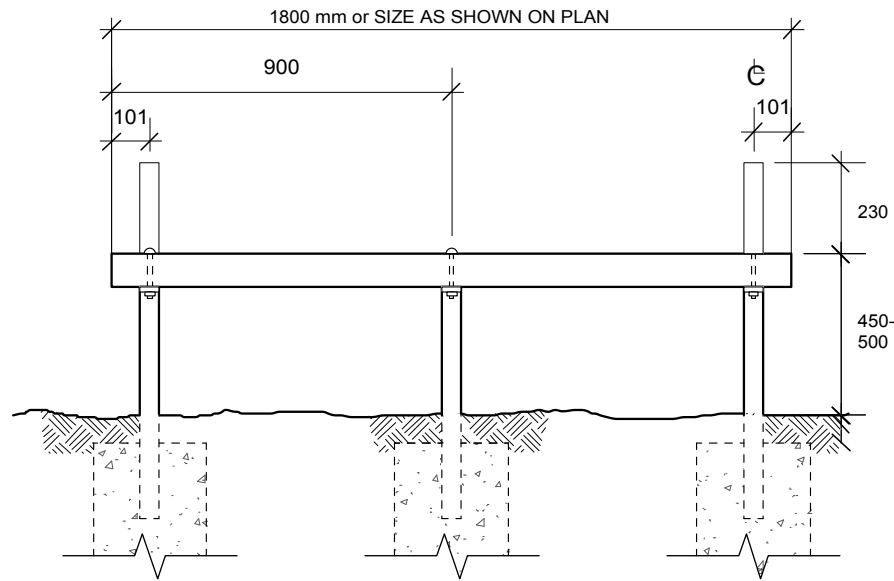
- **GALVANIZED** - **Product # 52501086GLV**

Drawing Title:

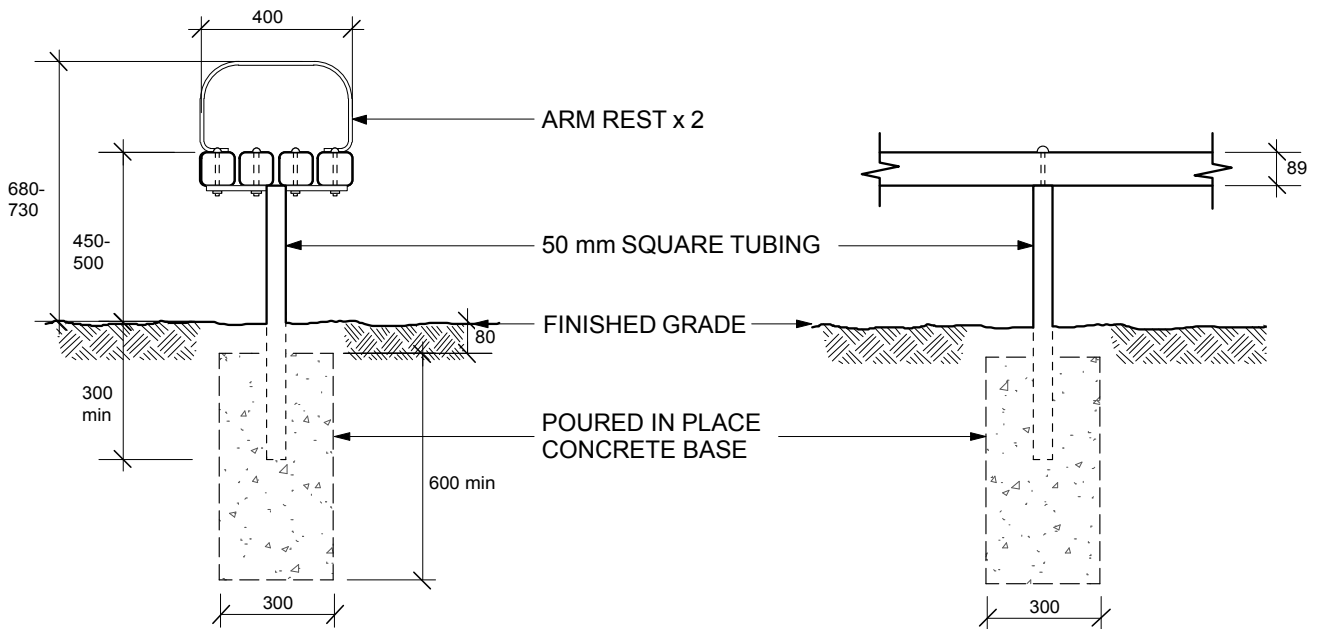
**TACHE BACKLESS BENCH
COMPOSITE WITH ARMS**

Drawing No:

SCD-121C



FRONT ELEVATION



SIDE ELEVATION

SUPPORT DETAILS

DIMENSIONS SHOWN ARE IN MILLIMETRES UNLESS OTHERWISE SPECIFIED

REVISION: 2
DATE: December 20, 2012
SCALE: N.T.S.
DRAWN BY: SP

The City of Winnipeg
Planning, Property and Development Department
Planning and Land Use Division
Unit 15 - 30 Fort Street, Winnipeg, MB, R3C 4X5

