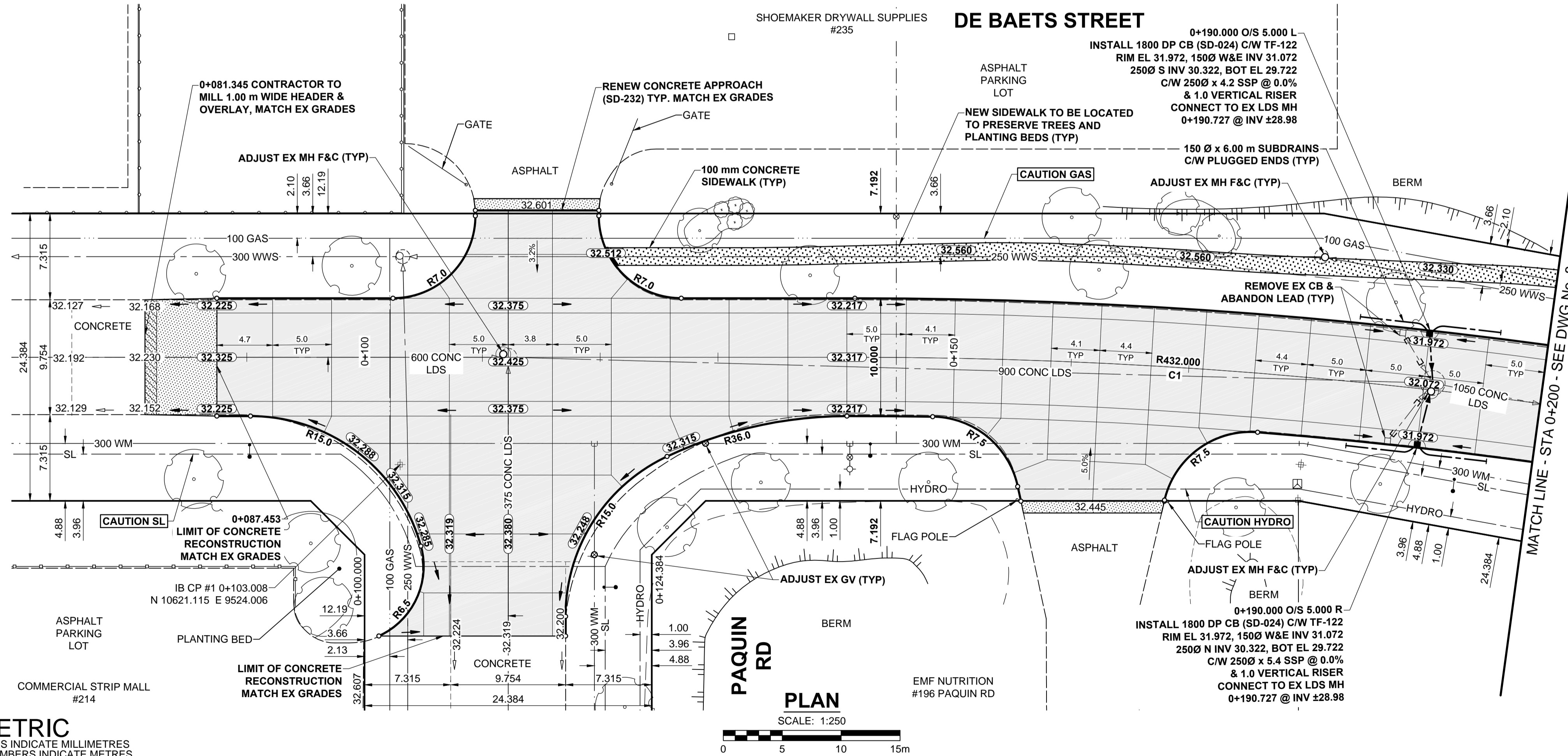


- NOTES**
- ADJUST MH AND CB RIMS TO NEW GRADES.
 - LAMP STANDARDS, HYDRO POLES, AND ANCHORS THAT REQUIRE TEMPORARY SUPPORT, REMOVAL OR REPLACEMENT, TO BE DONE SO AT THE EXPENSE OF THE CONTRACTOR AS NECESSARY.
 - CONTRACTOR TO REGRADE/RENEW EXISTING PRIVATE SIDEWALKS TO LIMITS AS SHOWN. SIDEWALKS TO BE RENEWED WITH CONCRETE UNLESS NOTED OTHERWISE.
 - CONTRACTOR TO TAKE PRECAUTIONARY STEPS TO PROTECT EXISTING TREES WITHIN THE LIMITS OF CONSTRUCTION FROM DAMAGE FROM CONSTRUCTION ACTIVITIES AS OUTLINED IN THE SPECIFICATIONS.
 - CONTRACTOR TO CONFIRM THE LOCATION OF ALL UTILITIES/SERVICES IN THE FIELD PRIOR TO CONSTRUCTION.
 - CB SD-023 & SD-024 OFFSETS ARE DIMENSIONED TO BOC. CB SD-025 OFFSETS ARE DIMENSIONED O/C.
 - IN GENERAL, PAVEMENT AND SIDEWALK AREAS TO BE REMOVED. MATCH RECONSTRUCTION LIMITS.
 - REFER TO BID OPPORTUNITY FOR DETAILS REGARDING TRAFFIC MANAGEMENT.
 - ALL EXISTING LONG WATER SERVICES TO BE INSULATED (SD-018). REFER TO BID OPPORTUNITY FOR FURTHER REQUIREMENTS.
 - ADD 200.000m TO ABBREVIATED ELEVATIONS TO OBTAIN GEODETIC ELEVATIONS.
 - MODIFIED BARRIER CURB & GUTTER INLET FRAME & COVER TF-122.

PAVEMENT PROFILE
VERTICAL SCALE: 1:10

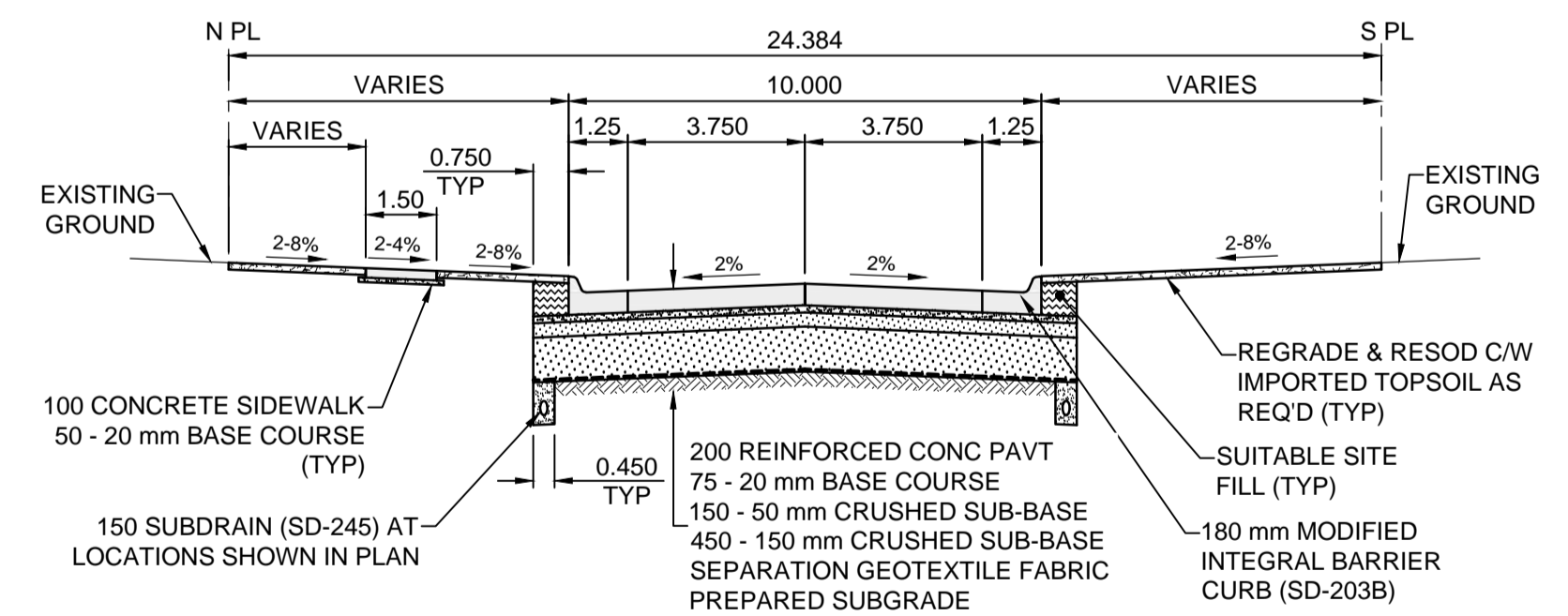


PLAN
SCALE: 1:250

CONTROL LINE - CURVES				
CURVE	RADIUS	LENGTH	DELTA	TANGENT
C1	432.000	77.273	10°14'55"	38.740



MATCH LINE - STA 0+200 - SEE DWG No. 8



TYPICAL PAVEMENT SECTION
CONCRETE PAVEMENT STRUCTURE
SCALE: NTS

METRIC
WHOLE NUMBERS INDICATE MILLIMETRES
DECIMALIZED NUMBERS INDICATE METRES

EXISTING	LEGEND - PLAN	NEW	EXISTING	LEGEND - PLAN	NEW	EXISTING	LEGEND - PLAN	NEW
	GAS		MANHOLE		CONCRETE PAVEMENT		LOCATION APPROVED	
	MTS / PEDESTAL		CATCH BASIN / CATCH PIT		CONC SIDEWALK / MEDIAN		UNDERGROUND STRUCTURES	
	HYDRO / CABINET		CURB INLET WITH BOX		ASPHALT PAVEMENT		SUPR. U/G STRUCTURES	
	CATV / FIBRE OPTIC		TREE		PAVING STONE		DATE	
	TRAFFIC SIGNALS / PIT		TEST HOLE		GRAVEL		NOTE:	
	LAND DRAINAGE SEWER		PROPERTY LINE		RAMP CURB		LOCATION OF UNDERGROUND STRUCTURES	
	SANITARY/COMBINED SEWER		SURVEY BAR		PLANING / REMOVAL		INDIVIDUAL UTILITIES	
	CB LEAD / SSP / DCP		FENCE				CONFIRMATION OF EXISTENCE	
	WATER MAIN		BOC / EDGE OF PAVEMENT				SERVICES LOCATION	
	SUBDRAIN		ELEVATION				CONFIRMATION OF LOCATION	
	DITCH		TRAFFIC SIGN				CONFIRMATION OF LOCATION	

LOCATION APPROVED
UNDERGROUND STRUCTURES

SUPR. U/G STRUCTURES COMMITTEE DATE

NOTE:
LOCATION OF UNDERGROUND STRUCTURES AS SHOWN ARE BASED ON THE BEST INFORMATION AVAILABLE BUT NO GUARANTEE IS GIVEN THAT ALL EXISTING UTILITIES ARE SHOWN OR THAT THE GIVEN LOCATIONS ARE EXACT. CONFIRMATION OF EXISTENCE AND EXACT LOCATION OF ALL SERVICES MUST BE OBTAINED FROM THE INDIVIDUAL UTILITIES BEFORE PROCEEDING WITH CONSTRUCTION.

No.	REVISIONS	DATE	BY
A	ISSUED FOR TENDER	16/04/07	RPB
B	ISSUED FOR CLIENT REVIEW	16/03/01	RPB

MORRISON HERSHFIELD

DESIGNED BY: RPB
CHECKED BY: WRJ
DRAWN BY: DML
APPROVED BY: BWB

HOR SCALE: 1:250
VERT SCALE: 1:10
RELEASED FOR CONSTRUCTION: 15/12/29

PROFESSIONAL'S SEAL
PROVINCE OF MANITOBA
REGISTERED PROFESSIONAL ENGINEER
R.P. BRUCE
CONSULTANT FILE NAME
W160001-De Baets-PP-01.dwg

THE CITY OF WINNIPEG
PUBLIC WORKS DEPARTMENT
ENGINEERING DIVISION

2016 LOCAL STREETS PACKAGE
DE BAETS STREET
PAQUIN RD TO CAMIEL SYS ST
CONCRETE RECONSTRUCTION
HORIZONTAL AND VERTICAL ALIGNMENT
PANQUIN RD TO STA 0+200

CITY DRAWING NUMBER: N/A
SHEET 7 OF 13
DRAWING No. 7 REV B

BID OPPORTUNITY No. 163-2016