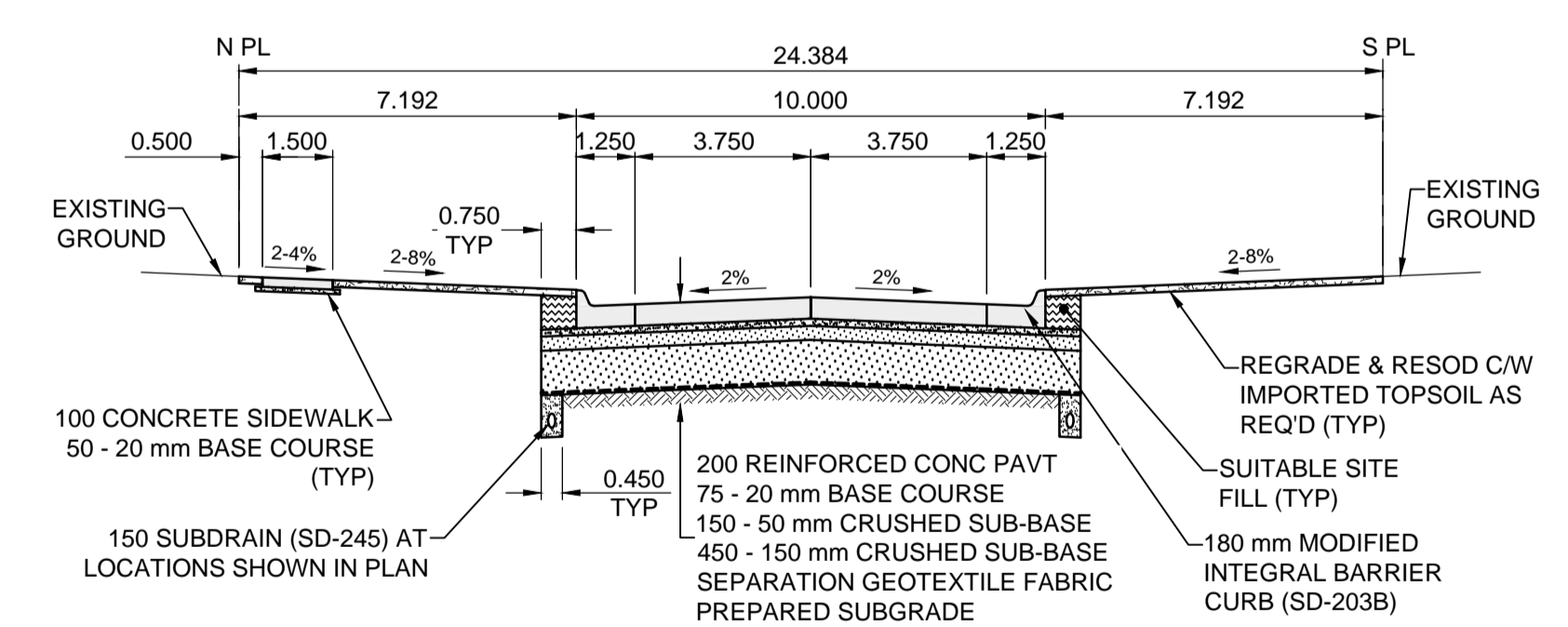
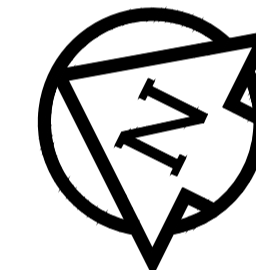
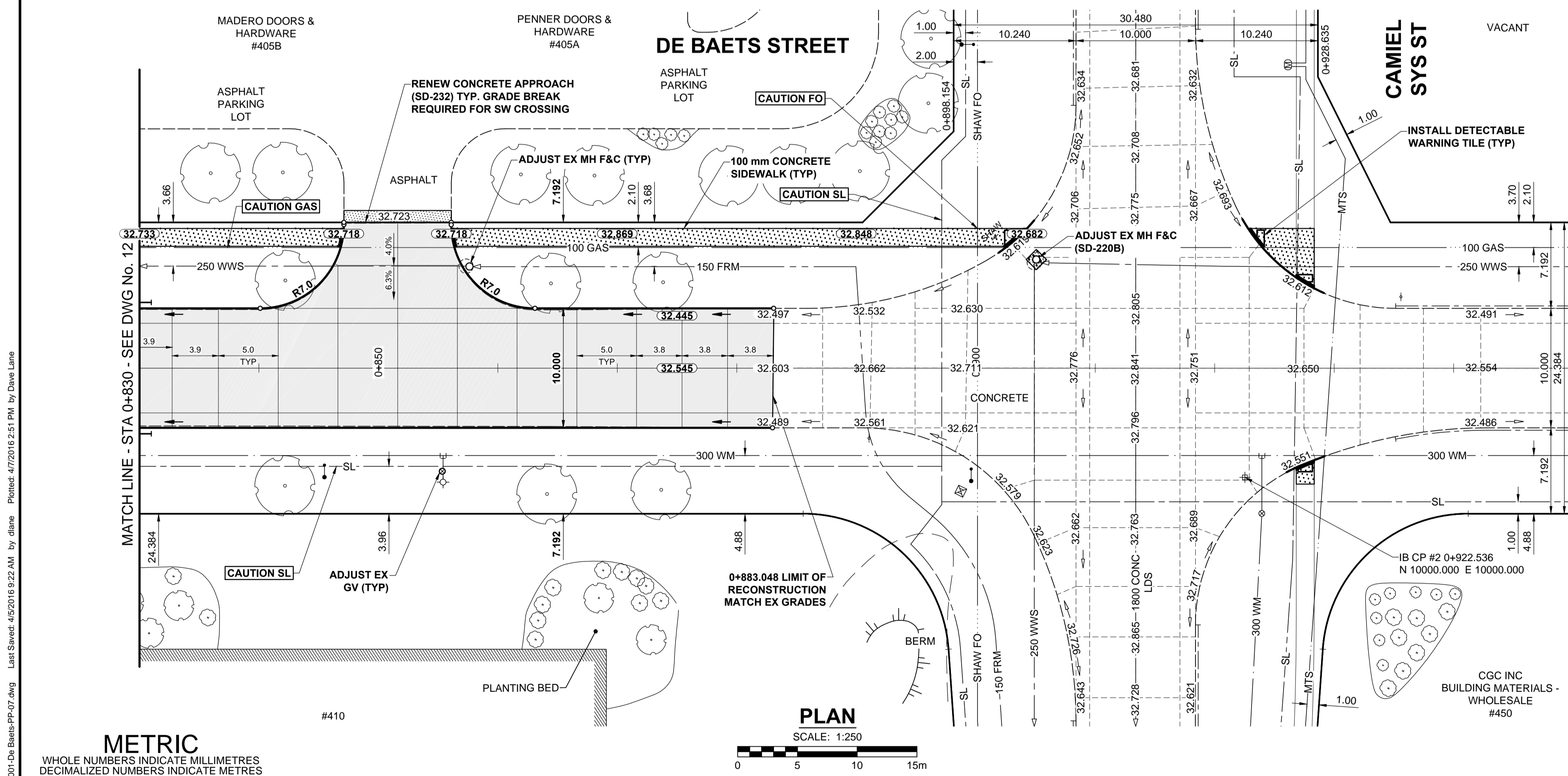


- NOTES**
- ADJUST MH AND CB RIMS TO NEW GRADES.
  - LAMP STANDARDS, HYDRO POLES, AND ANCHORS THAT REQUIRE TEMPORARY SUPPORT, REMOVAL OR REPLACEMENT, TO BE DONE SO AT THE EXPENSE OF THE CONTRACTOR AS NECESSARY.
  - CONTRACTOR TO REGRADE/RENEW EXISTING PRIVATE SIDEWALKS TO LIMITS AS SHOWN. SIDEWALKS TO BE RENEWED WITH CONCRETE UNLESS NOTED OTHERWISE.
  - CONTRACTOR TO TAKE PRECAUTIONARY STEPS TO PROTECT EXISTING TREES WITHIN THE LIMITS OF CONSTRUCTION FROM DAMAGE FROM CONSTRUCTION ACTIVITIES AS OUTLINED IN THE SPECIFICATIONS.
  - CONTRACTOR TO CONFIRM THE LOCATION OF ALL UTILITIES/SERVICES IN THE FIELD PRIOR TO CONSTRUCTION.
  - CB SD-023 & SD-024 OFFSETS ARE DIMENSIONED TO BOC. CB SD-025 OFFSETS ARE DIMENSIONED O/C.
  - IN GENERAL, PAVEMENT AND SIDEWALK AREAS TO BE REMOVED. MATCH RECONSTRUCTION LIMITS.
  - REFER TO BID OPPORTUNITY FOR DETAILS REGARDING TRAFFIC MANAGEMENT.
  - ALL EXISTING LONG WATER SERVICES TO BE INSULATED (SD-018). REFER TO BID OPPORTUNITY FOR FURTHER REQUIREMENTS.
  - ADD 200.000m TO ABBREVIATED ELEVATIONS TO OBTAIN GEODETIC ELEVATIONS.
  - MODIFIED BARRIER CURB & GUTTER INLET FRAME & COVER TF-122.



**TYPICAL PAVEMENT SECTION**  
CONCRETE PAVEMENT STRUCTURE  
SCALE: NTS

**METRIC**  
WHOLE NUMBERS INDICATE MILLIMETRES  
DECIMALIZED NUMBERS INDICATE METRES

---	GAS	○	MANHOLE	●	CONCRETE PAVEMENT	LOCATION APPROVED
---	MTS / PEDESTAL	□	CATCH BASIN / CATCH PIT	■	CONC SIDEWALK / MEDIAN	UNDERGROUND STRUCTURES
---	HYDRO / CABINET	△	CURB INLET WITH BOX	▲	ASPHALT PAVEMENT	
---	CATV / FIBRE OPTIC	○	TREE	○	PAVING STONE	
---	TRAFFIC SIGNALS / PIT	⊕	TEST HOLE	⊕	GRAVEL	
---	LAND DRAINAGE SEWER	---	PROPERTY LINE	---	RAMP CURB	
---	SANITARY/COMBINED SEWER	---	SURVEY BAR	---	PLANING / REMOVAL	
---	CB LEAD / SSP / DCP	---	FENCE	---		
---	WATER MAIN	---	BOC / EDGE OF PAVEMENT	---		
---	SUBDRAIN	---	ELEVATION	(33.333)		
---	DITCH	---	TRAFFIC SIGN	(33.333)		
---	EXISTING	---	LEGEND - PLAN	---	EXISTING	LEGEND - PLAN
---	NEW	---	LEGEND - PLAN	---	NEW	LEGEND - PLAN

**LOCATION APPROVED**  
UNDERGROUND STRUCTURES

DATE: \_\_\_\_\_

**NOTE:** LOCATION OF UNDERGROUND STRUCTURES AS SHOWN ARE BASED ON THE BEST INFORMATION AVAILABLE BUT NO GUARANTEE IS GIVEN THAT ALL EXISTING UTILITIES ARE SHOWN OR THAT THE GIVEN LOCATIONS ARE EXACT. CONFIRMATION OF EXISTENCE AND EXACT LOCATION OF ALL SERVICES MUST BE OBTAINED FROM THE INDIVIDUAL UTILITIES BEFORE PROCEEDING WITH CONSTRUCTION.

BM 32-011	E. side Paquin Rd. S. of DeBaets St. Tbt. in W. Conc. foundation of No. 140 Paquin Rd. 2 m S. & 0.1 m below top of Conc. grade beam of N.W. Cor. of Bldg.	ELEV 233.276 m								
<table border="1"> <tr> <th>No.</th> <th>REVISIONS</th> <th>DATE</th> <th>BY</th> </tr> <tr> <td> </td> <td> </td> <td> </td> <td> </td> </tr> </table>			No.	REVISIONS	DATE	BY				
No.	REVISIONS	DATE	BY							

**MORRISON HERSHFIELD**

DESIGNED BY: RPB  
CHECKED BY: WRJ

DRAWN BY: DML  
APPROVED BY: BWB

RELEASED FOR CONSTRUCTION

HOR SCALE: 1:250  
VERT SCALE: 1:10

DATE: 15/12/29

PROFESSIONAL'S SEAL

PROVINCE OF MANITOBA

R.P. BRUCE

REGISTERED PROFESSIONAL ENGINEER

CONSULTANT FILE NAME: W160001-De Baets-PP-07.dwg

**THE CITY OF WINNIPEG**  
PUBLIC WORKS DEPARTMENT  
ENGINEERING DIVISION

**2016 LOCAL STREETS PACKAGE**  
DE BAETS STREET  
PAQUIN RD TO CAMEL SYS ST  
CONCRETE RECONSTRUCTION  
HORIZONTAL AND VERTICAL ALIGNMENT  
STA 0+830 TO CAMEL SYS ST

CITY DRAWING NUMBER: N/A  
SHEET 13 OF 13  
DRAWING No. 13 REV B

BID OPPORTUNITY No. 163-2016