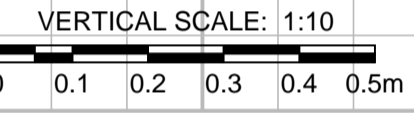
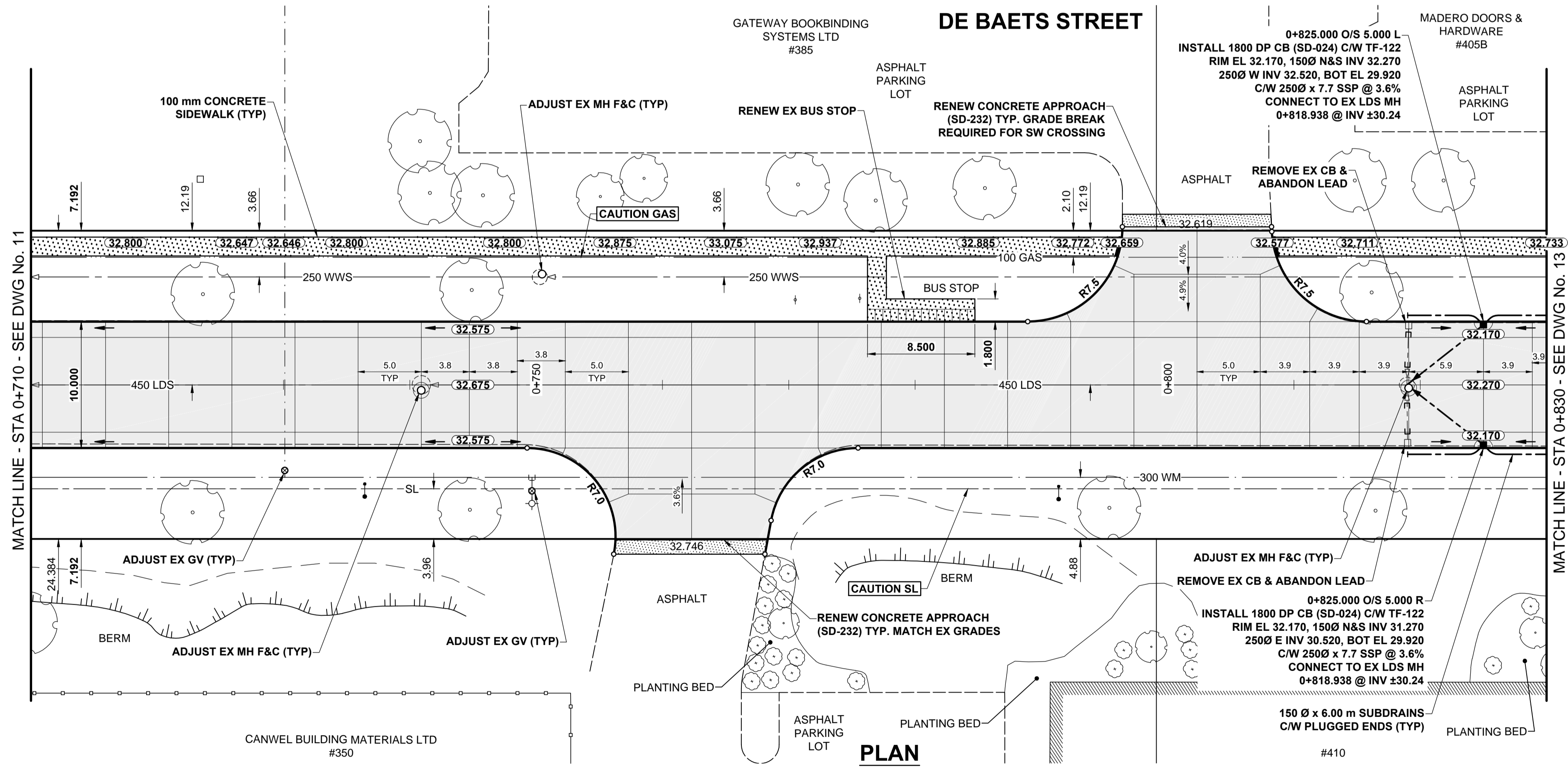


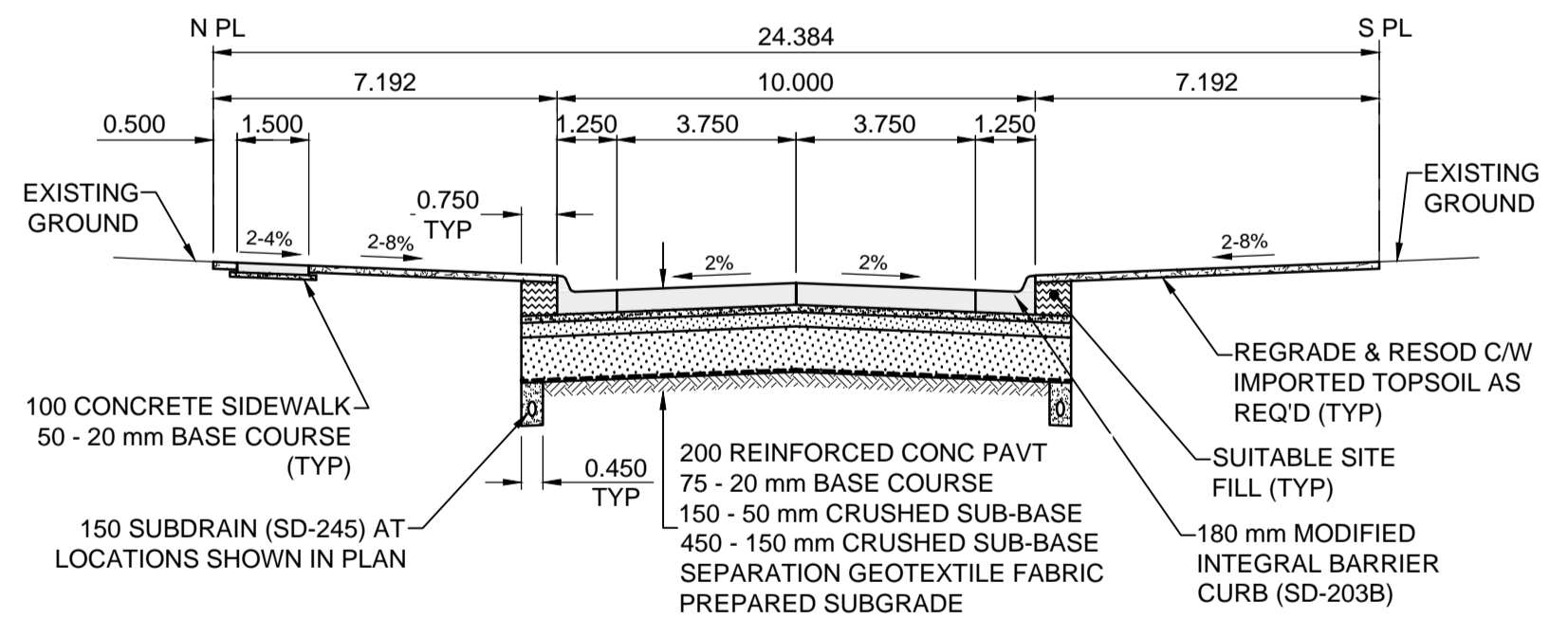
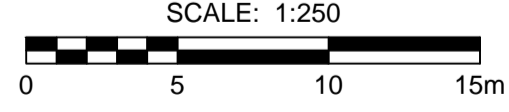
PAVEMENT PROFILE



- NOTES
- ADJUST MH AND CB RIMS TO NEW GRADES.
 - LAMP STANDARDS, HYDRO POLES, AND ANCHORS THAT REQUIRE TEMPORARY SUPPORT, REMOVAL OR REPLACEMENT, TO BE DONE SO AT THE EXPENSE OF THE CONTRACTOR AS NECESSARY.
 - CONTRACTOR TO REGRADE/RENEW EXISTING PRIVATE SIDEWALKS TO LIMITS AS SHOWN. SIDEWALKS TO BE RENEWED WITH CONCRETE UNLESS NOTED OTHERWISE.
 - CONTRACTOR TO TAKE PRECAUTIONARY STEPS TO PROTECT EXISTING TREES WITHIN THE LIMITS OF CONSTRUCTION FROM DAMAGE FROM CONSTRUCTION ACTIVITIES AS OUTLINED IN THE SPECIFICATIONS.
 - CONTRACTOR TO CONFIRM THE LOCATION OF ALL UTILITIES/SERVICES IN THE FIELD PRIOR TO CONSTRUCTION.
 - CB SD-023 & SD-024 OFFSETS ARE DIMENSIONED TO BOC. CB SD-025 OFFSETS ARE DIMENSIONED O/C.
 - IN GENERAL, PAVEMENT AND SIDEWALK AREAS TO BE REMOVED. MATCH RECONSTRUCTION LIMITS.
 - REFER TO BID OPPORTUNITY FOR DETAILS REGARDING TRAFFIC MANAGEMENT.
 - ALL EXISTING LONG WATER SERVICES TO BE INSULATED (SD-018). REFER TO BID OPPORTUNITY FOR FURTHER REQUIREMENTS.
 - ADD 200.000m TO ABBREVIATED ELEVATIONS TO OBTAIN GEODETIC ELEVATIONS.
 - MODIFIED BARRIER CURB & GUTTER INLET FRAME & COVER TF-122.



PLAN



TYPICAL PAVEMENT SECTION
CONCRETE PAVEMENT STRUCTURE
SCALE: NTS

METRIC
WHOLE NUMBERS INDICATE MILLIMETRES
DECIMALIZED NUMBERS INDICATE METRES

---	GAS	○	MANHOLE	●	CONCRETE PAVEMENT	---	LOCATION APPROVED
---	MTS / PEDESTAL	□	CATCH BASIN / CATCH PIT	■	CONC SIDEWALK / MEDIAN	---	UNDERGROUND STRUCTURES
---	HYDRO / CABINET	△	CURB INLET WITH BOX	▲	ASPHALT PAVEMENT	---	DATE
---	CATV / FIBRE OPTIC	○	TREE	○	PAVING STONE	---	DATE
---	TRAFFIC SIGNALS / PIT	⊕	TEST HOLE	⊕	GRAVEL	---	DATE
---	LAND DRAINAGE SEWER	---	PROPERTY LINE	---	RAMP CURB	---	DATE
---	SANITARY/COMBINED SEWER	---	SURVEY BAR	---	PLANING / REMOVAL	---	DATE
---	CB LEAD / SSP / DCP	---	FENCE	---	---	---	DATE
---	WATER MAIN	---	BOC / EDGE OF PAVEMENT	---	---	---	DATE
---	SUBDRAIN	---	ELEVATION	---	---	---	DATE
---	DITCH	---	TRAFFIC SIGN	---	---	---	DATE
---	EXISTING	---	LEGEND - PLAN	---	---	---	DATE
---	NEW	---	LEGEND - PLAN	---	---	---	DATE

LOCATION APPROVED
UNDERGROUND STRUCTURES

DATE

NOTE:
LOCATION OF UNDERGROUND STRUCTURES AS SHOWN ARE BASED ON THE BEST INFORMATION AVAILABLE BUT NO GUARANTEE IS GIVEN THAT ALL EXISTING UTILITIES ARE SHOWN OR THAT THE GIVEN LOCATIONS ARE EXACT. CONFIRMATION OF EXISTENCE AND EXACT LOCATION OF ALL SERVICES MUST BE OBTAINED FROM THE INDIVIDUAL UTILITIES BEFORE PROCEEDING WITH CONSTRUCTION.

BM	32-011	E. side Paquin Rd. S. of DeBaets St. Tbt. in W. Conc. foundation of No. 140 Paquin Rd. 2 m S. & 0.1 m below top of Conc. grade beam of N.W. Cor. of Bldg.
ELEV	233.276 m	
B	ISSUED FOR TENDER	16/04/07 RPB
A	ISSUED FOR CLIENT REVIEW	16/03/01 RPB
No.	REVISIONS	YY/MM/DD BY DATE

MORRISON HERSHFIELD

DESIGNED BY: RPB
DRAWN BY: DML

CHECKED BY: WRJ
APPROVED BY: BWB

RELEASED FOR CONSTRUCTION

HOR SCALE: 1:250
VERT SCALE: 1:10

DATE: 15/12/29

PROFESSIONAL'S SEAL

PROVINCE OF MANITOBA

R.P. BRUCE

REGISTERED PROFESSIONAL ENGINEER

CONSULTANT FILE NAME
W160001-De Baets-PP-06.dwg

THE CITY OF WINNIPEG
PUBLIC WORKS DEPARTMENT
ENGINEERING DIVISION

2016 LOCAL STREETS PACKAGE
DE BAETS STREET
PAQUIN RD TO CAMIEL SYS ST
CONCRETE RECONSTRUCTION
HORIZONTAL AND VERTICAL ALIGNMENT
STA 0+710 TO STA 0+830

CITY DRAWING NUMBER: N/A
SHEET 12 OF 13
DRAWING No. 12 REV B

BID OPPORTUNITY No. 163-2016