

INSTRUMENT AND DEVICE IDENTIFICATION TABLE				
FIRST-LETTER		SUCCEEDING-LETTERS		
MEASURED OR INITIATING VARIABLE	MODIFIER	READOUT OR PASSIVE FUNCTION	OUTPUT FUNCTION	MODIFIER
A	ANALYSIS OR SAMPLER	ALARM, TROUBLE		
B	BURNER FLAME			CLOSE, DECREASE (1)
C	CONDUCTIVITY		CONTROL	
D	DENSITY	DIFFERENTIAL		OPEN, INCREASE (1)
E	VOLTAGE (EMF)	SENSOR (PRIMARY ELEMENT)		
F	FLOW RATE	RATIO (FRACTION)	FAILURE	
G	GAS	GLASS, VIEWING DEVICE, GAUGE (2)	GENERATOR (ULTRASONIC)	
H	HAND (MANUAL)			HIGH
I	CURRENT (ELECTRICAL)	INDICATE		
J	POWER	SCAN		
K	TIME	TIME RATE OF CHANGE	CONTROL STATION	
L	LEVEL	LIGHT (3)		LOW
M	MOTOR	MOMENTARY	OPERATE, ON/OFF	MIDDLE, INTERMEDIATE
N	MOISTURE		START	
O	TORQUE	ORIFACE, RESTRICTION	STOP, OVERLOAD	
P	PRESSURE, VACUUM	POINT (TEST CONNECTION)		
Q	COMMON, QUANTITY	INTEGRATE, TOTALIZE		
R	RADIOACTIVITY	RECORD		
S	SPEED, FREQUENCY	SAFETY	SWITCH	
T	TEMPERATURE	TRANSMITTER		
U	MULTIVARIABLE	MULTIFUNCTION	MULTIFUNCTION	MULTIFUNCTION
V	VIBRATION, MECHANICAL ANALYSIS, VALVE, DAMPER (4)		VALVE, DAMPER, LOUVER	
W	WEIGHT, FORCE	WELL		
X	UNCLASSIFIED (5)	X AXIS	UNCLASSIFIED (5)	UNCLASSIFIED (5)
Y	EVENT, STATE, OR PRESENCE	Y AXIS	RELAY, COMPUTE, CONVERT	
Z	POSITION	Z AXIS	DRIVER, ACTUATOR, UNCLASSIFIED FINAL CONTROL ELEMENT	

NOTES FOR INSTRUMENT AND DEVICE IDENTIFICATION TABLE:

- WHEN THE B AND D LETTERS ARE TO REPRESENT AN OPEN AND CLOSED COMMAND OR POSITION, THEY ARE CURRENTLY OFTEN USED NOT AS A MODIFIER, BUT RATHER AS A READOUT OR OUTPUT FUNCTION. FOR EXAMPLE, SB RATHER THAN SCB.
- IN CURRENT DRAWINGS, THE LETTER G IS OFTEN USED TO REPRESENT A GAUGE AS IN TG (TEMPERATURE GAUGE). HOWEVER, SINCE A TEMPERATURE GAUGE USUALLY HAS A SCALE TO READ A SPECIFIC TEMPERATURE, IT WOULD MORE CORRECTLY BE CALLED AN INDICATOR (TI). GAUGE IS INCLUDED FOR HISTORICAL REASONS.
- ON CURRENT NEWPCC P&ID DRAWINGS, THE PILOT LIGHTS USUALLY OMIT THE L DESIGNATION. FOR EXAMPLE, A VALVE OPEN PILOT LIGHT IS DESIGNATED AS ZD. TECHNICALLY, THE APPROPRIATE IDENTIFIER IS ZLD, BUT ZD HAS BEEN MAINTAINED FOR HISTORICAL REASONS.
- THE USE OF V AS AN INITIAL LETTER HAS BEEN INCORRECTLY USED IN THE PAST TO REPRESENT A VALVE OR A DAMPER, AND IS MAINTAINED IN THE IDENTIFICATION TABLE DUE TO ITS COMMON USE AS SUCH. HOWEVER, THESE INSTRUMENTS SHOULD IDEALLY BE RENAMED TO THE APPROPRIATE IDENTIFIERS. FOR EXAMPLE, MOST VY INSTRUMENTS (PNEUMATIC RELAYS) ON THE CURRENT DRAWINGS COULD BE RELABELLED AS HY OR FY INSTRUMENTS.
- THE LETTER X IS TO BE DEFINED AT THE TIME OF USE, AND MAY BE USED FOR MULTIPLE DEFINITIONS WHERE NO OTHER LETTER IS APPLICABLE.

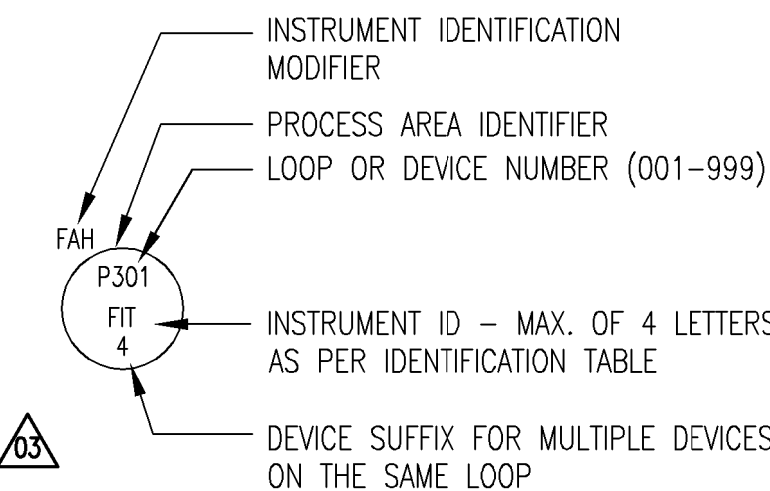
INSTRUMENT FIELD DEVICE IDENTIFIERS			
IDENTIFIER	DEFINITION	IDENTIFIER	DEFINITION
AH	ANALYSIS ALARM - HIGH	PSH	PRESSURE SWITCH HIGH (2ND STAGE)
AHH	ANALYSIS ALARM - HIGH-HIGH	PSL	PRESSURE SWITCH LOW
AE	ANALYSIS ELEMENT	PSV	PRESSURE SAFETY VALVE (RELIEF)
AIT	ANALYSIS INDICATING TRANSMITTER (ANALYTIC INST.)	PT	PRESSURE TRANSMITTER
AK	ANALYSIS (AMPLER) CONTROL STATION	PY	PRESSURE RELAY (I/I CONVERTER)
ASH	ANALYSIS SWITCH - HIGH	SI	SPEED INDICATOR
ASHH	ANALYSIS SWITCH - HIGH-HIGH	SK	SPEED CONTROL STATION
ASY	ANALYSIS SAFETY RELAY	ST	SPEED TRANSMITTER
AT	ANALYSIS TRANSMITTER (ANALYTIC INST.)	TE	TEMPERATURE ELEMENT
AY	ANALYSIS RELAY	TG	TEMPERATURE GAUGE
BK	BURNER CONTROL STATION	TI	TEMPERATURE INDICATOR
BS	BURNER FLAME SWITCH	TIC	TEMPERATURE INDICATING CONTROLLER
BV	BURNER VALVE	TIT	TEMPERATURE INDICATING TRANSMITTER
DE	DENSITY ELEMENT	TR	TEMPERATURE RECORDER
DR	DENSITY RECORDER	TSH	TEMPERATURE SWITCH HIGH
DT	DENSITY TRANSMITTER	TSL	TEMPERATURE SWITCH LOW
DX	DENSITY SOURCE (X = SOURCE)	TT	TEMPERATURE TRANSMITTER
EE	VOLTAGE ELEMENT/TRANSFORMER	TV	TEMPERATURE VALVE
EI	VOLTAGE INDICATOR	TW	TEMPERATURE THERMOWELL
ET	VOLTAGE TRANSMITTER	TY	TEMPERATURE RELAY (SOLENOID VALVE OR M/P)
FE	FLOW ELEMENT	XE	VELOCITY ELEMENT
FG	FLOW METER ULTRASONIC GENERATOR	XI	VELOCITY INDICATOR
FI	FLOW INDICATOR	XK	UNCLASSIFIED CONTROL STATION (X = FIRE)
FIC	FLOW INDICATING CONTROLLER	XT	POWER FACTOR TRANSMITTER
FIT	FLOW INDICATING TRANSMITTER	XT	VELOCITY TRANSMITTER (X = VELOCITY)
FQI	FLOW TOTALIZING INDICATOR	XX	UNCLASSIFIED (XX = ALARM ANNUNCIATOR)
FQY	FLOW TOTALIZING / INTEGRATING RELAY	YS	COMPUTER SWITCH
FR	FLOW RECORDER	YSA	STATE SAFETY ALARM
FRC	FLOW RECORDING CONTROLLER	YSL	STATE SAFETY LIGHT
FRQ	FLOW RECORDING TOTALIZER	ZI	POSITION INDICATOR
FSL	FLOW SWITCH LOW	ZS	POSITION SWITCH
FT	FLOW TRANSMITTER	ZSB	POSITION SWITCH CLOSED (LIMIT SWITCH)
FV	FLOW VALVE	ZSDL	POSITION SWITCH OPEN (LIMIT SWITCH)
FY	FLOW COMPUTER / RELAY	ZSH	POSITION SWITCH HIGH
GE	GAS ELEMENT	ZSL	POSITION SWITCH LOW
GS	GAS SWITCH MODULE	ZT	POSITION TRANSMITTER
HK	HAND CONTROL STATION		
HS	HAND SWITCH		
HSS	HAND SAFETY SWITCH		
HV	HAND VALVE		
IS	CURRENT SWITCH		
IE	CURRENT ELEMENT/TRANSFORMER		
II	CURRENT INDICATOR		
IY	CURRENT RELAY		
KY	TIMER RELAY		
LCV	LEVEL CONTROL VALVE		
LE	LEVEL ELEMENT		
LI	LEVEL INDICATOR		
LIC	LEVEL INDICATING CONTROLLER		
LIT	LEVEL INDICATING TRANSMITTER		
LR	LEVEL RECORDER		
LSL	LEVEL SWITCH LOW		
LSH	LEVEL SWITCH HIGH		
LSHL	LEVEL SWITCH HIGH/LOW		
LT	LEVEL TRANSMITTER		
LV	LEVEL VALVE		
LY	LEVEL RELAY (I/I CONVERTER)		
MB	MOTOR DECREASE OR REVERSE		
MD	MOTOR INCREASE OR FORWARD		
MF	MOTOR FAILURE		
MM	MOTOR RUN		
NS	MOISTURE SWITCH		
PCV	PRESSURE CONTROL VALVE		
PE	PRESSURE ELEMENT		
PG	PRESSURE GAUGE		
PI	PRESSURE INDICATOR		
PIC	PRESSURE INDICATING CONTROLLER		
PIT	PRESSURE INDICATING TRANSMITTER		
PR	PRESSURE RECORDER		
PS	PRESSURE SWITCH		
PSH	PRESSURE SWITCH HIGH		

NOTES FOR INSTRUMENT FIELD DEVICE IDENTIFIERS:

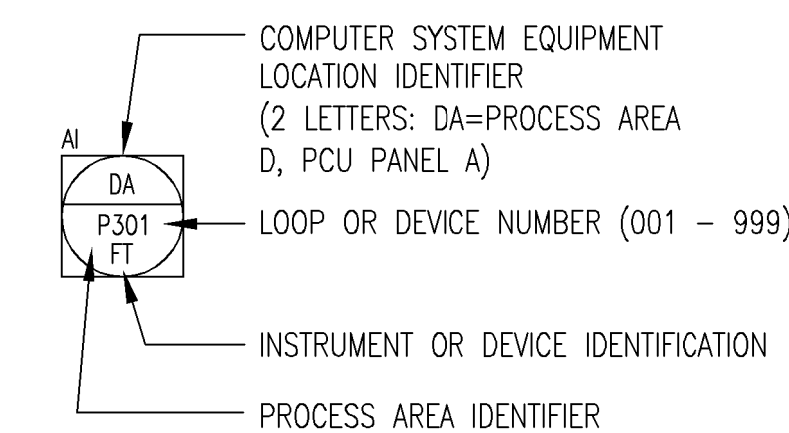
- THE LAST IDENTIFIER LETTER IS IN SOME CASES OPTIONAL (EG. FSL)
- THIS TABLE IS DERIVED FROM THE INSTRUMENT & DEVICE IDENTIFICATION TABLE, AND IS NOT EXHAUSTIVE.

INSTRUMENT IDENTIFICATION MODIFIER	
IDENTIFIER	DEFINITION
(N)	N MULTIPLE INSTRUMENTS
AA	AUDIBLE ALARM
A/M	AUTO / MANUAL
C/L	COMPUTER / LOCAL
CLS	CLOSE
C/O	COMPUTER / OFF
COB	COMPUTER / OFF / BYPASS
CSH	COMPUTER / OFF / HAND
COND	CONDUCTIVITY
COT	COMPUTER / OFF / TIME
DCS	DISTRIBUTED CONTROL SYSTEM
DO	DISSOLVED OXYGEN
DS	DECREASE SPEED
E/S	EMERGENCY STOP
FOR	FORWARD / OFF / REVERSE
H/A	HAND / AUTO
HOA	HAND / OFF / AUTO
HOR	HAND / OFF / REMOTE
I/D	INCREASE / DECREASE
INT/EXT	INTERNAL / EXTERNAL
IS	INCREASE SPEED
LCP	LOCAL CONTROL PANEL
LD	LOCKABLE DISCONNECT
LJB	LOCAL JUNCTION BOX
L/O	LOCAL / OFF
LOR	LOCAL / OFF / REMOTE
LOS	LOCK OFF STOP
L/R	LOCAL / REMOTE
LSR	LOCAL / STOP / REMOTE
MCC	MOTOR CONTROL CENTER
NO.	NITRITE
NH.	AMMONIA
O/A	OFF / AUTO
O/C	OPEN / CLOSE
O/M	OFF / MAINTENANCE
O/O	OFF / ON
OPN	OPEN
RST	RESET
RTD	RESISTIVE TEMPERATURE DEVICE
SEL	SELECTOR
S/F	SLOW / FAST
SOF	SLOW / OFF / FAST
SOL	SOLENOID
S/S	START / STOP
S/W	SUMMER / WINTER
TAH	TEMPERATURE ALARM HIGH
TAL	TEMPERATURE ALARM LOW
TSH	TEMPERATURE SWITCH HIGH
TSL	TEMPERATURE SWITCH LOW
T/C	THERMOCOUPLE
VIB	VIBRATION

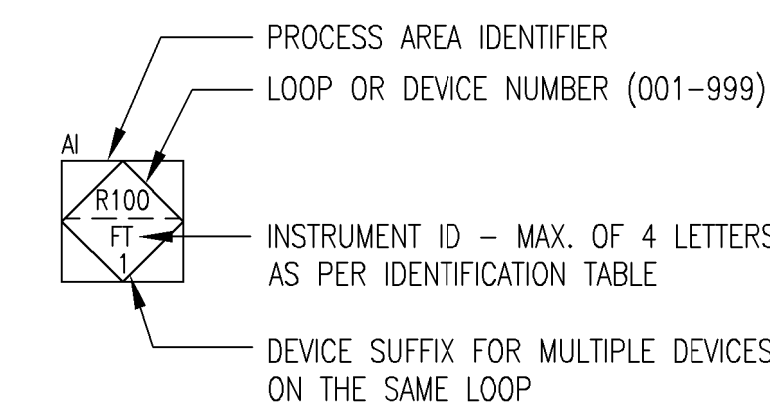
INSTRUMENT FIELD DEVICE NUMBERING



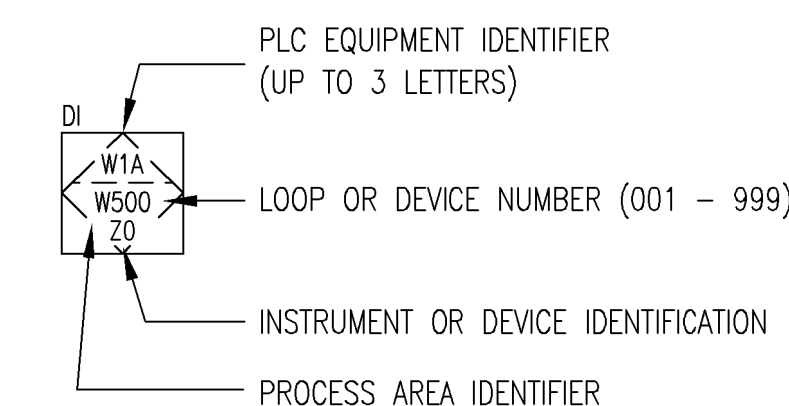
CONTROL SYSTEM (DCS) POINT TAG NUMBERING



PLC POINT TAG NUMBERING



OR



THIS DRAWING IS BASED ON CITY OF WINNIPEG DRAWING NUMBER 1-0101A-D-A0001-002-06D

NOTICE:
AS-CONSTRUCTED DIMENSIONS, MEASUREMENTS AND OTHER DETAILS CONTAINED IN THIS RECORD DRAWING HAVE BEEN OBTAINED BY AECOM CANADA LTD. ("AECOM") FROM VARIOUS SOURCES. SUCH INFORMATION REPRESENTS THE BEST INFORMATION AVAILABLE TO AECOM AT THE TIME OF PREPARATION OF THIS RECORD DRAWING. AECOM DOES NOT IN ANY WAY REPRESENT OR WARRANT THAT SUCH INFORMATION IS ACCURATE AND ASSUMES NO RESPONSIBILITY FOR ANY ERRORS OR OMISSIONS CONTAINED THEREIN.

REVISION 03 CHANGES THE ENGINEER'S DESIGN RESPONSIBILITIES ARE LIMITED TO THE CHANGES INDICATED IN THE CLOUDED WORK			
DESIGNED BY: CGL	CHECKED BY: KJS		
DRAWN BY: SRG	APPROVED BY: KJS		
DATE: -	RELEASED FOR CONSTR. DATE: -		

AECOM
Certificate of Authorization
AECOM Canada Ltd.
No. 4671 Date: April 6/16

NO.	REVISIONS	DATE	BY
03	ISSUED FOR TENDER: BID OP 145-2016	16/04/06	SRG
02	AS-CONSTRUCTED DRAWING	09/02/19	DEP
01	ISSUED FOR CONSTRUCTION	06/08/30	GLG
00	ISSUED FOR TENDER	06/05/15	GLG

EarthTech
A Tyco International Ltd. Company

DESIGNED BY: LAE	CHECKED BY: SB
DRAWN BY: LAE	APPROVED BY:
SCALE: NONE	RELEASED FOR CONSTRUCTION BY:
DATE: 2006/01/16	DATE:

ENGINEER'S SEAL
PROVINCE OF MANITOBA
K.J. SEARS
REGISTERED PROFESSIONAL ENGINEER

THE CITY OF WINNIPEG
WATER AND WASTE DEPARTMENT
ENGINEERING DIVISION

NEWPCC CENTRATE NUTRIENT TREATMENT NITROGEN REMOVAL FACILITY

PROCESS AND INSTRUMENTATION DIAGRAMS
LEGEND AND DETAILS

CITY FILE NUMBER: 1-0101C-P0016-002-03
SHEET 2 OF 3
CITY DRAWING NUMBER: 1-0101C-P0016-002-03