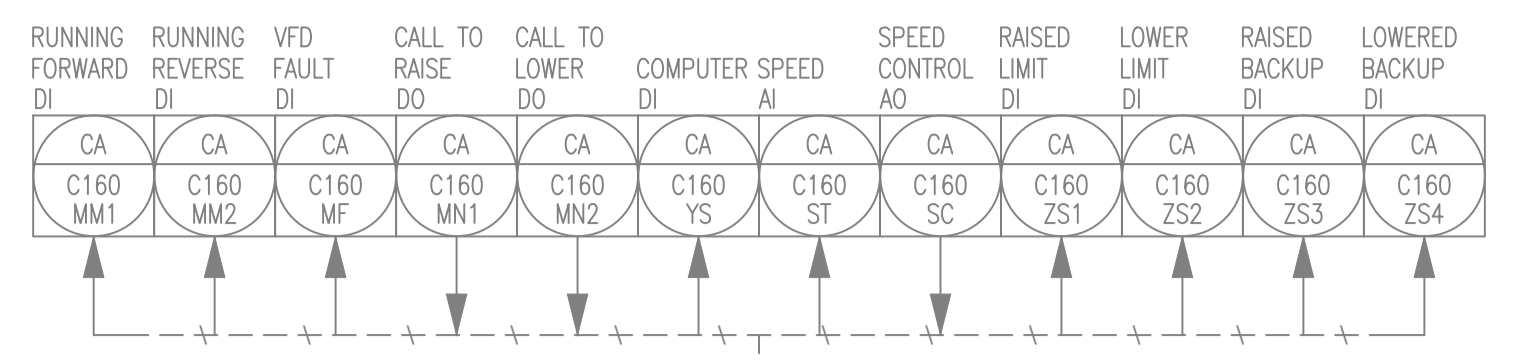
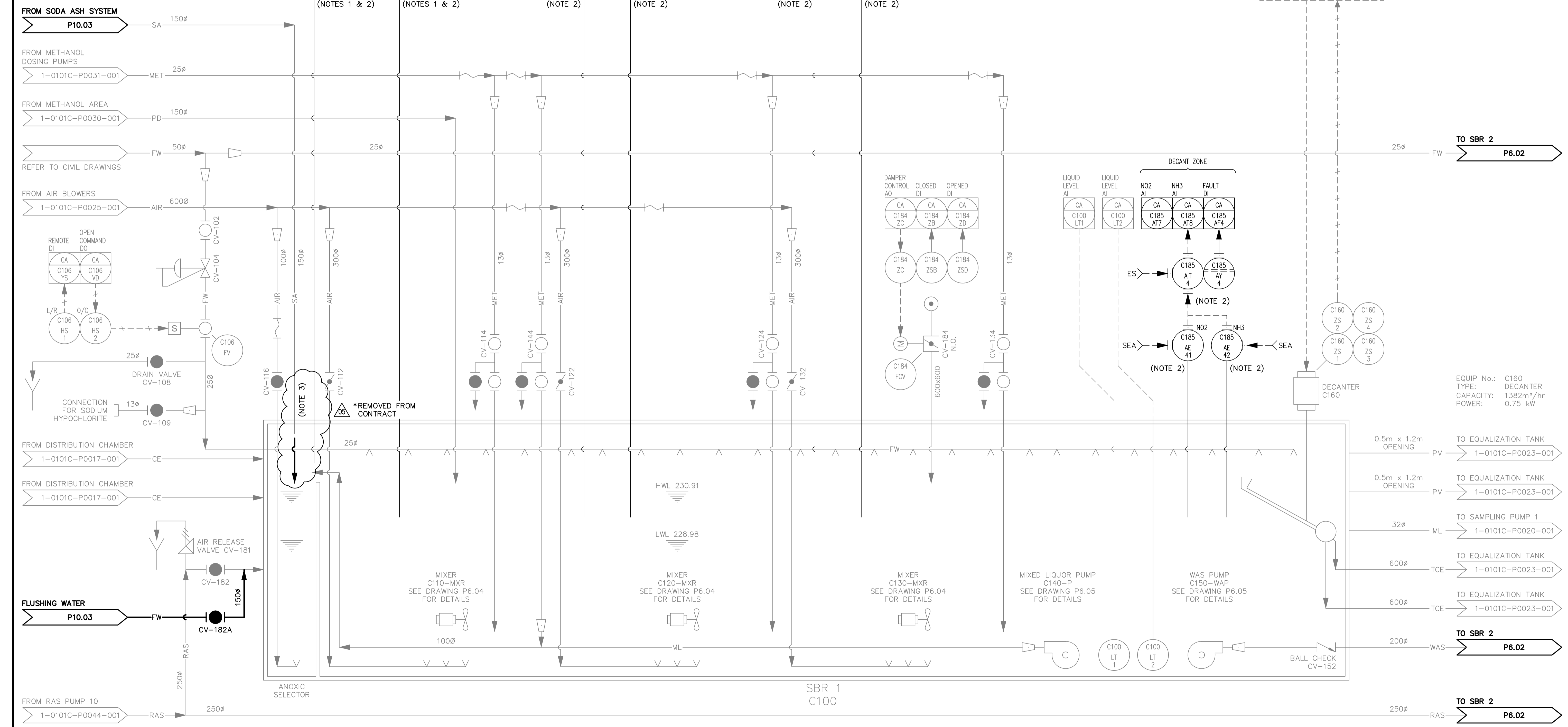
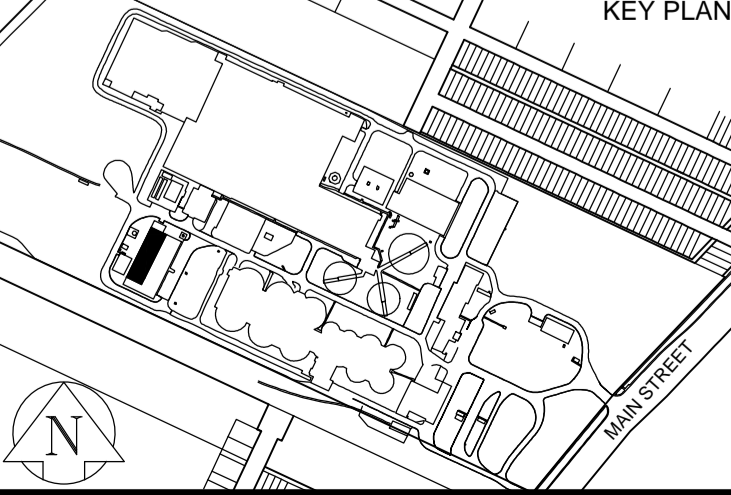


- NOTES:**
- EXISTING PROBES & TRANSMITTERS TO BE RELOCATED & RETAGGED.
    - pH PROBES C185-AE-1 & C285-AE-1
    - DO PROBES C185-AE-2 & C285-AE-2
    - TRANSMITTERS C185-AIT-1 & C285-AIT-1
    - SEE I/O LIST AND DRAWING D-0001 FOR DETAILS.
  - PROBES & TRANSMITTERS WILL BE INSTALLED ON SBR 2 ONLY AT THIS TIME.
    - ONLY ONE SBR WILL BE IN SERVICE AT A TIME, WITH PROBES & TRANSMITTERS BEING RELOCATED PERIODICALLY.
    - PROVIDE ALL NEW QUICK CONNECTIONS & WIRING FOR EACH PROBE AT BOTH SBR TANKS.
    - SEE INSTRUMENT LOOP DIAGRAMS FOR CONNECTION DETAILS.
  - EXISTING 150Ø PERFORATED SA PIPE TO BE REPLACED WITH SCH80 PVC PIPE. DISCHARGE INTO SBR INLET. SEE DRAWING D-1002.



EQUIP No.: C160  
 TYPE: DECANTER  
 CAPACITY: 1382m<sup>3</sup>/hr  
 POWER: 0.75 kW

**NOTICE:**  
 AS-COINSTRUCED DIMENSIONS, MEASUREMENTS AND OTHER DETAILS CONTAINED IN THIS RECORD DRAWING HAVE BEEN OBTAINED BY AECOM CANADA LTD. ("AECOM") FROM VARIOUS SOURCES. SUCH INFORMATION REPRESENTS THE BEST INFORMATION AVAILABLE TO AECOM AT THE TIME OF PREPARATION OF THIS RECORD DRAWING. AECOM DOES NOT IN ANY WAY REPRESENT OR WARRANT THAT SUCH INFORMATION IS ACCURATE AND ASSUMES NO RESPONSIBILITY FOR ANY ERRORS OR OMISSIONS CONTAINED THEREIN.



NO.	REVISIONS	DATE	BY	DATE	BY
05	BID OP 145-2016, ADDENDUM 3	16/04/29	SRG		
04	ISSUED FOR TENDER: BID OP 145-2016	16/04/06	SRG		
03	AS-COINSTRUCED DRAWING	09/02/19	DEP		
02	ISSUED FOR DCS PROGRAMMING	07/12/17	GLG		
01	ISSUED FOR CONSTRUCTION	06/08/30	GLG		
00	ISSUED FOR TENDER	06/05/15	SRP		

**EarthTech**  
 A Tyco International Ltd. Company

DESIGNED BY: YL/CD      CHECKED BY: SB/PS  
 DRAWN BY: SRP      APPROVED BY:  
 SCALE: NONE      RELEASED FOR CONSTRUCTION BY:

DATE: 2006/01/16      DATE:



**THE CITY OF WINNIPEG**  
 WATER AND WASTE DEPARTMENT  
 ENGINEERING DIVISION

NEWPCC CENTRATE NUTRIENT TREATMENT  
 NITROGEN REMOVAL FACILITY

PROCESS SBR 1  
 PROCESS & INSTRUMENTATION DIAGRAM

CITY FILE NUMBER: P6.01  
 SHEET OF: 1-0101C-P0018-001-05  
 CITY DRAWING NUMBER: 1-0101C-P0018-001-05