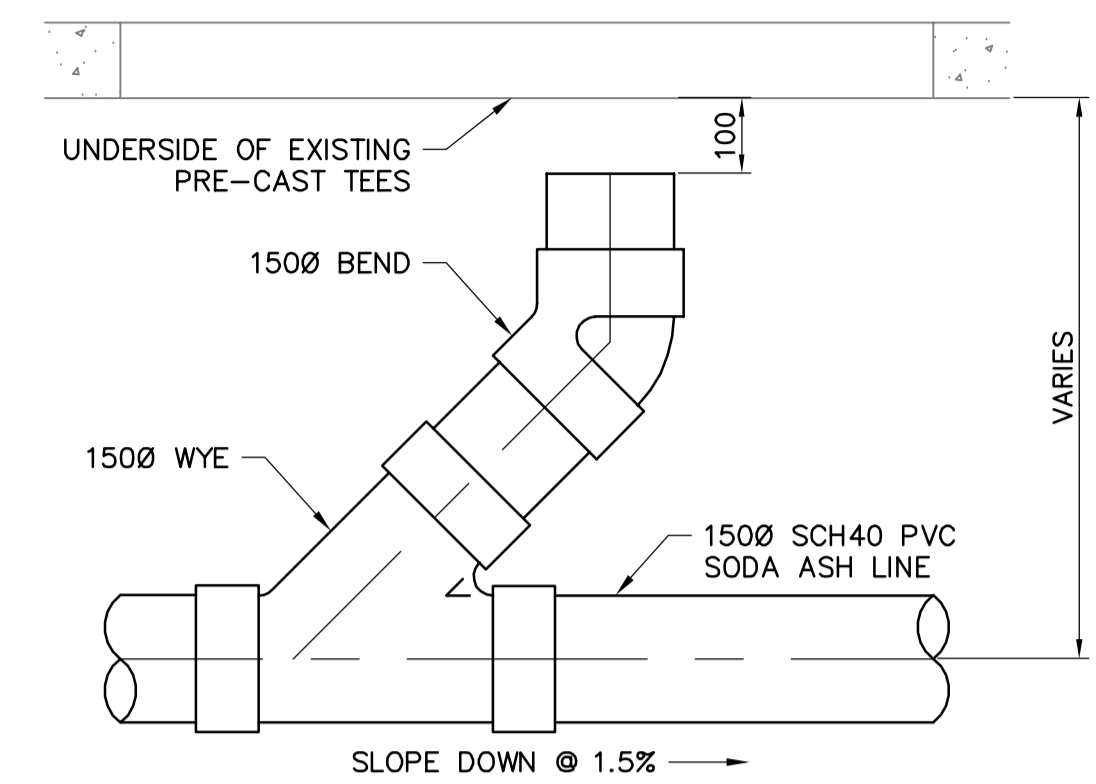
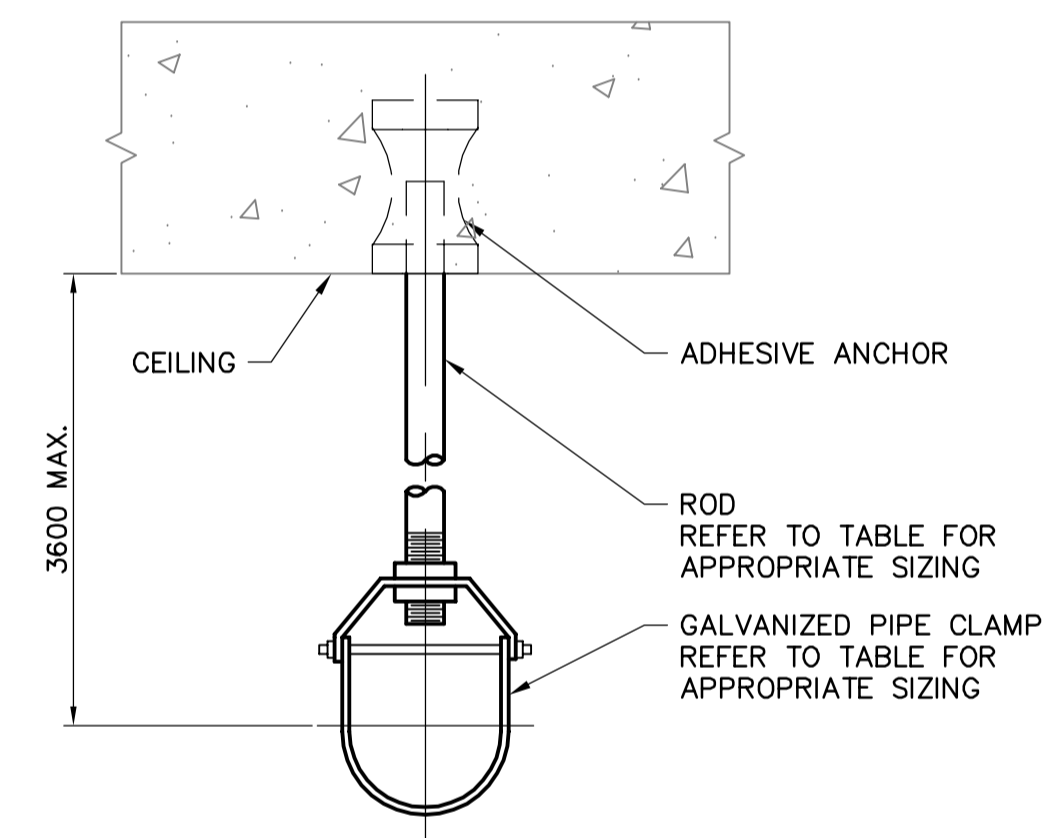


LOWER LEVEL PLAN
SCALE : 1:100



1 CLEAN OUT DETAIL
SCALE 1:10

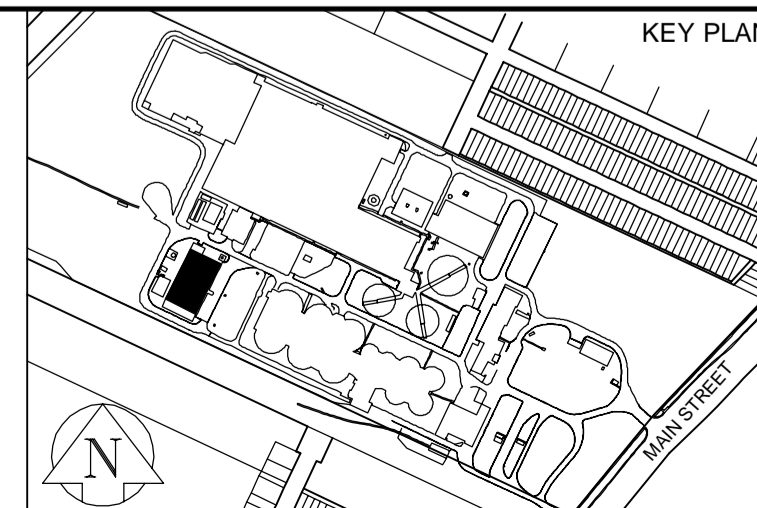


PIPE SIZE (mm)	ROD SIZE (mm)	MAX LOAD (kg)
150	20.0	1230

GRINNEL OR SIMILAR, SAFETY FACTOR = 5

2 PIPE SUPPORT
SCALE NONE

NOTICE:
AS-CONSTRUCTED DIMENSIONS, MEASUREMENTS AND OTHER DETAILS CONTAINED IN THIS RECORD DRAWING HAVE BEEN OBTAINED BY AECOM CANADA LTD. ("AECOM") FROM VARIOUS SOURCES. SUCH INFORMATION REPRESENTS THE BEST INFORMATION AVAILABLE TO AECOM AT THE TIME OF PREPARATION OF THIS RECORD DRAWING. AECOM DOES NOT IN ANY WAY REPRESENT OR WARRANT THAT SUCH INFORMATION IS ACCURATE AND ASSUMES NO RESPONSIBILITY FOR ANY ERRORS OR OMISSIONS CONTAINED THEREIN.



APEGM
Certificate of Authorization
AECOM Canada Ltd.
No. 4671 Date: *April 29/16*

NO.	REVISIONS	DATE	BY
01	BID OP 145-2016, ADDENDUM 3	16/04/26	SRG
00	ISSUED FOR TENDER: BID OP 145-2016	16/04/06	SRG

AECOM

DESIGNED BY	CGL	CHECKED BY	KJS
DRAWN BY	SRG	APPROVED BY	KJS
SCALE:	HORIZONTAL NTS	RELEASED FOR CONSTRUCTION	
DATE	2016 04 28	DATE	

PROVINCE OF MANITOBA
April 29/16
K.J. SEARS
REGISTERED PROFESSIONAL ENGINEER

THE CITY OF WINNIPEG
WATER AND WASTE DEPARTMENT
ENGINEERING DIVISION

2016 NEWPCC
SBR UPGRADES
PROCESS
SBR TANKS
LOWER LEVEL PLAN & DETAILS

CITY DRAWING NUMBER: **1-0101C-P0051-001-01** SHEET **12** OF **18**