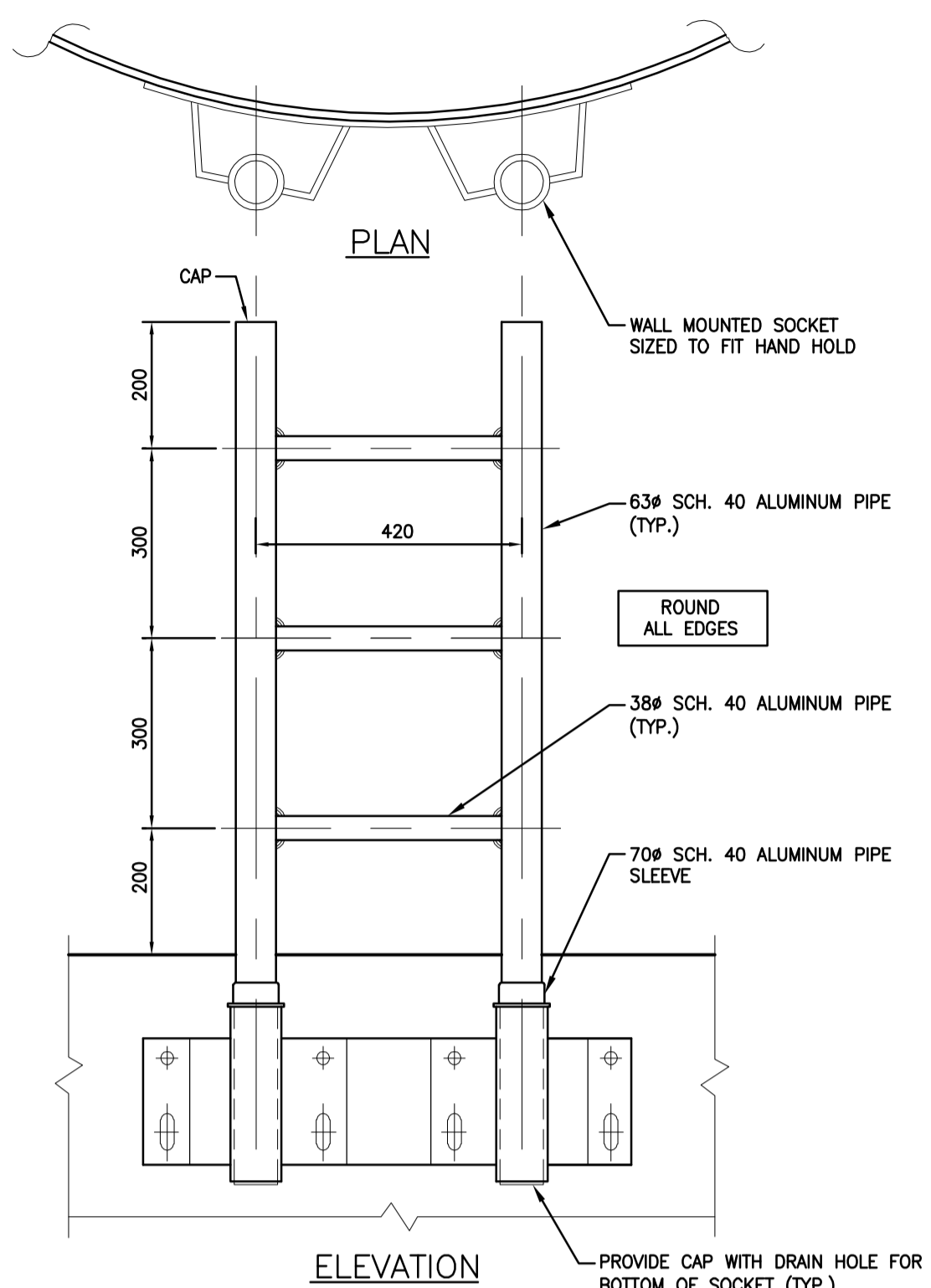
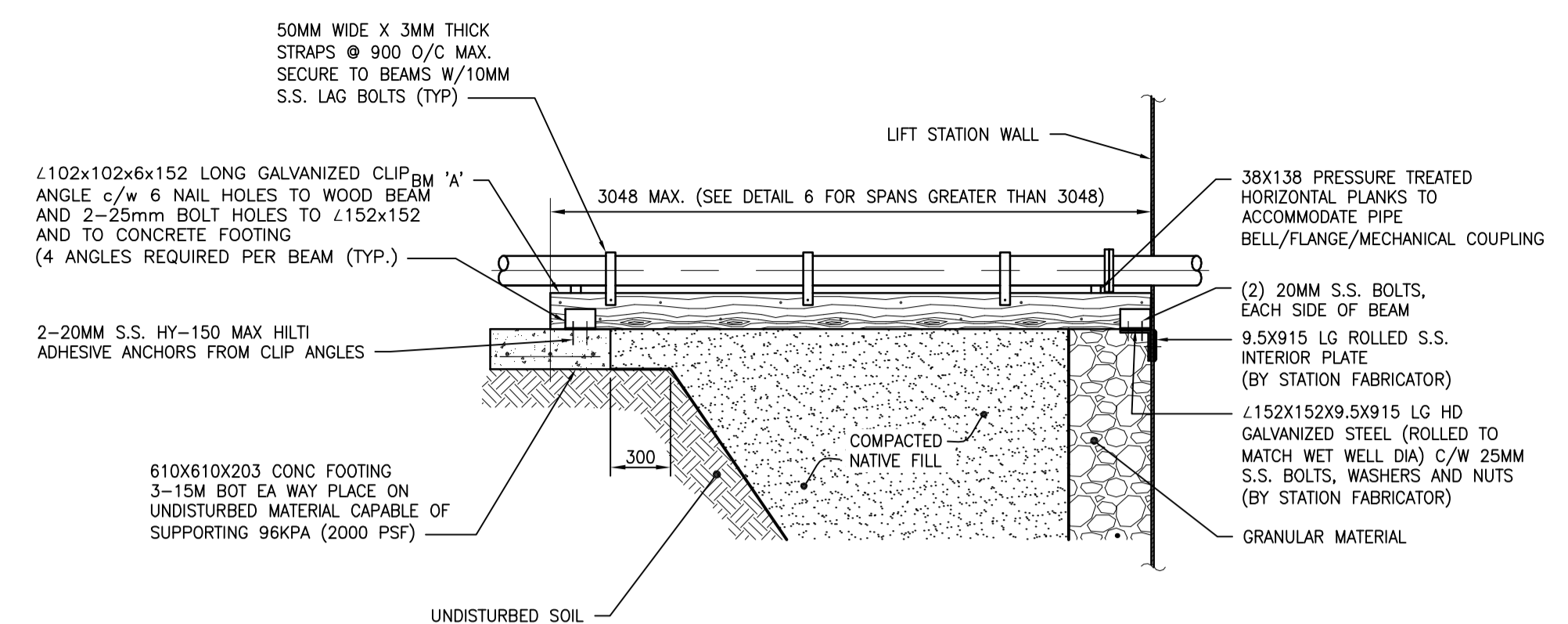


2
LADDER
DETAIL
P101 P501 1:10
2 REQUIRED



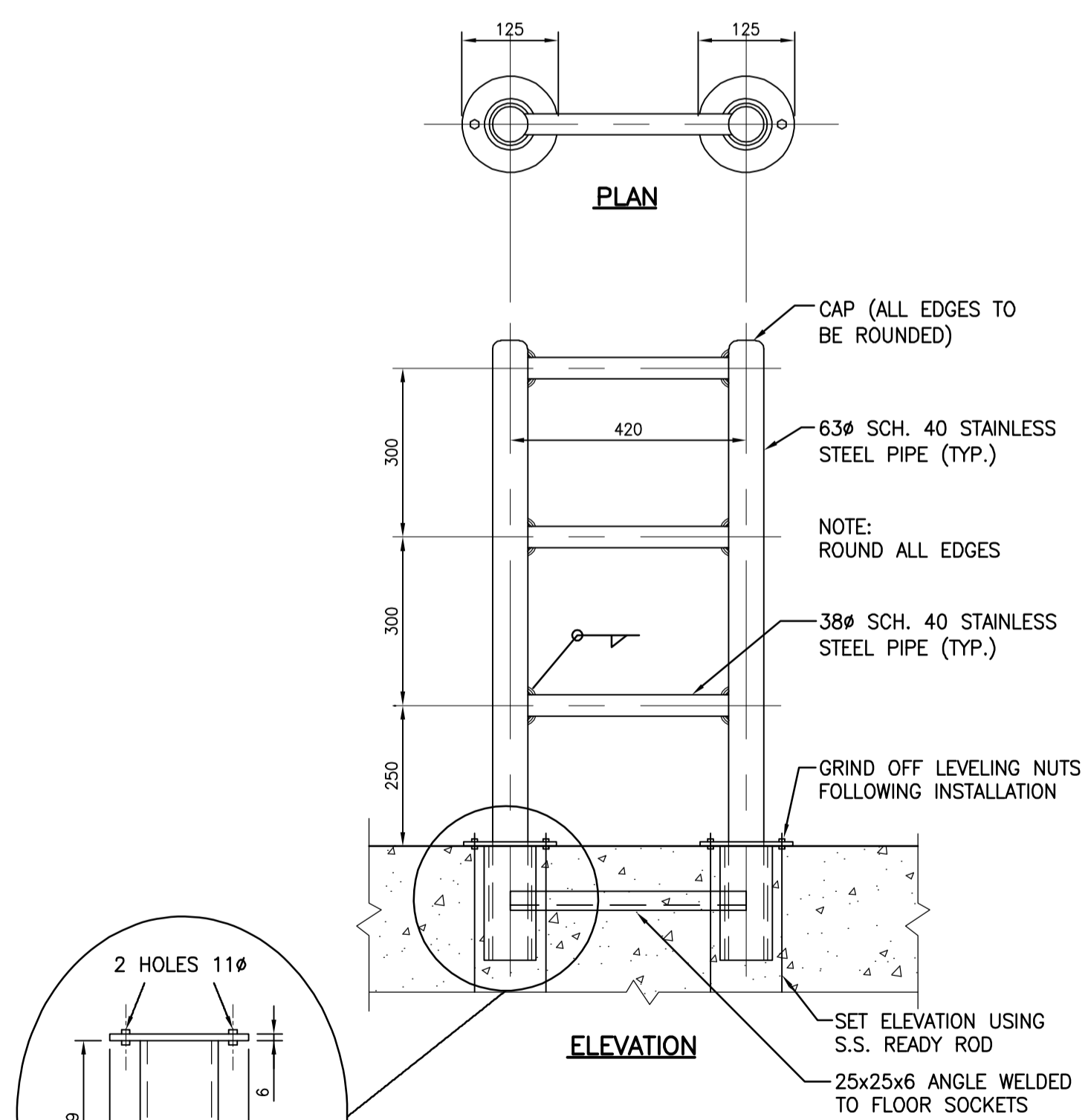
5
WETWELL HAND HOLD
DETAIL
P101 P501 1:10



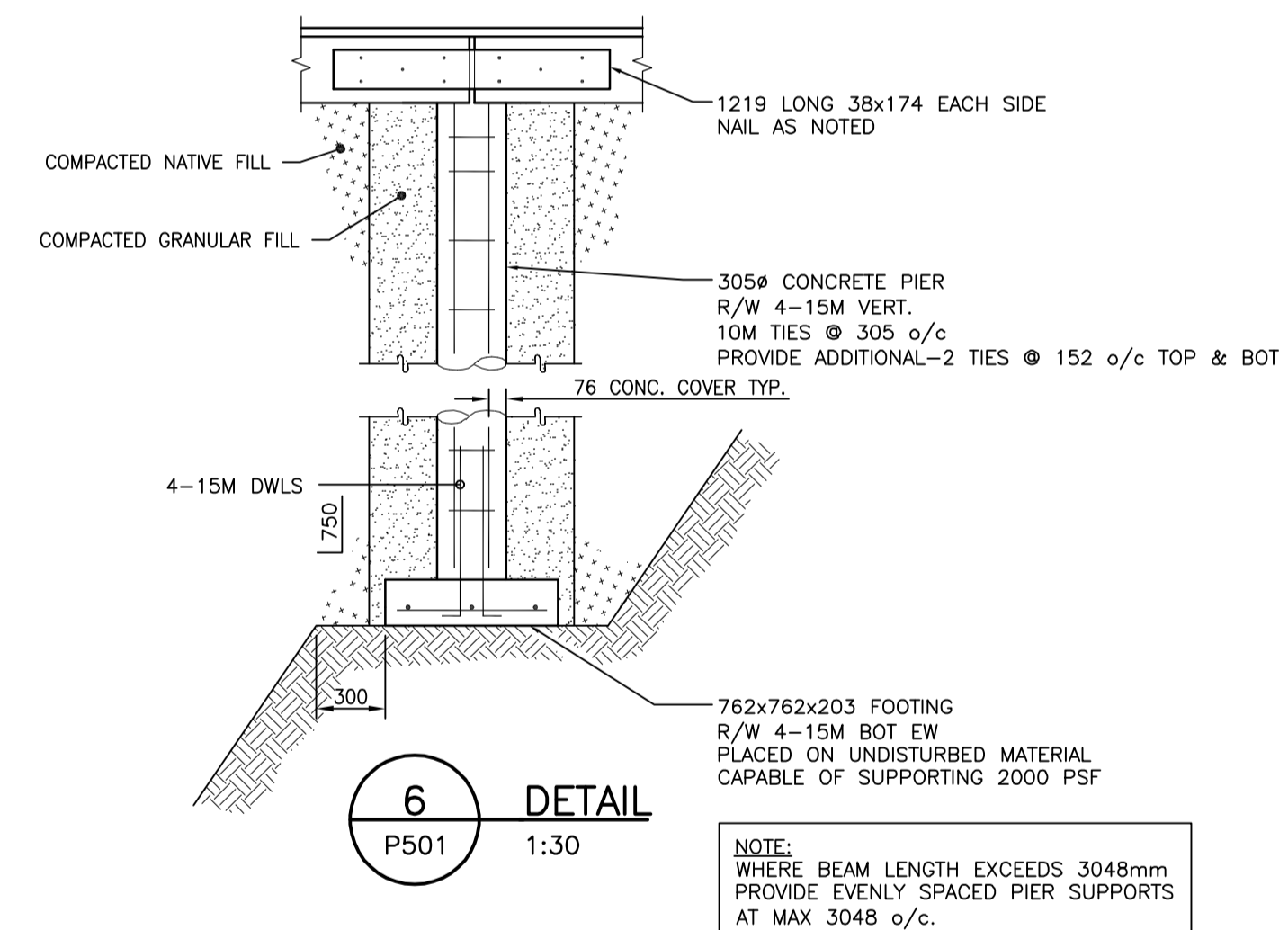
3
PIPE SUPPORT DETAIL
P101 P501 1:30

BM 'A'	
PIPE DIAMETER	BRIDGE BEAM AND POST
100# PIPE	4-38x184 OR 1-184x184
200# PIPE	6-38x184 OR 2-184x184 OR 1-286x286
300# PIPE	2-184x184 OR 1-286x286
450# PIPE	2-286x286

BEAM NOTES:
 -COMPACT FILL TO UNDERSIDE OF BEAM PRIOR TO INSTALLING BEAM
 -ALL WOOD TO BE PRESSURE TREATED #2 SPF
 -TREAT ALL CUT ENDS
 -NAIL BUILT-UP 2X-BEAMS IN PATTERN NOTED AT 300 O/C
 -USE GALVANIZED NAILS



4
DRYWELL HAND HOLD
DETAIL
P101 P501 1:10



6
DETAIL
P501 1:30

NOTE:
WHERE BEAM LENGTH EXCEEDS 3048mm PROVIDE EVENLY SPACED PIER SUPPORTS AT MAX 3048 o/c.

WARNING

IF POWER EQUIPMENT OR EXPLOSIVES ARE TO BE USED FOR EXCAVATION ON THIS PROJECT THE CONTRACTOR MUST:
 1) NOTIFY THE GAS COMPANY OF THE PROPOSED LOCATION OF EXCAVATION.
 2) TAKE PRECAUTION TO AVOID DAMAGE TO GAS COMPANY INSTALLATIONS.
 SEE PROVINCIAL REGULATION 140/92 FOR DETAILS

METRIC

WHOLE NUMBERS INDICATE MILLIMETRES
 DECIMALIZED NUMBERS INDICATE METRES

LOCATION APPROVED UNDERGROUND STRUCTURES

SUPV. U/G STRUCTURES COMMITTEE DATE

NOTE:
 LOCATION OF UNDERGROUND STRUCTURES AS SHOWN ARE BASED ON THE BEST INFORMATION AVAILABLE BUT NO GUARANTEE IS GIVEN THAT ALL EXISTING UTILITIES ARE SHOWN OR THAT THE GIVEN LOCATIONS ARE EXACT. CONFIRMATION OF EXISTENCE AND EXACT LOCATION OF ALL SERVICES MUST BE OBTAINED FROM THE INDIVIDUAL UTILITIES BEFORE PROCEEDING WITH CONSTRUCTION.

B.M. ELEV.	NO.	REVISIONS	DATE	BY
	2	ISSUED FOR TENDER	15.12.23	M.H.
	1	ISSUED FOR 95% REVIEW	15.12.04	M.H.
			YY.MM.DD.	BY

Stantec
 500 - 311 Portage Avenue, Winnipeg M8 Canada R3B 2B9
 Tel. 204.489.5900 Fax. 204.453.9012 www.stantec.com

DESIGNED BY: M.H. CHECKED BY: R.G.
 DRAWN BY: K.R. APPROVED BY: C.L.D.

HOR. SCALE: AS. NOTED
 VERTICAL: RELEASED FOR CONSTRUCTION: DATE

DATE: 2015.11.11

ENGINEER'S SEAL

CONSULTANT DRAWING NO.
P-501

THE CITY OF WINNIPEG
 PLANNING, PROPERTY & DEVELOPMENT

ST. BONIFACE INDUSTRIAL PARK PHASE 2
WASTEWATER PUMPING STATION
 MISCELLANEOUS METAL DETAILS I

SHEET **I** OF **I**
 CAD FILE DRAWING NUMBER **09351d-501-846.DWG**
 CITY DRAWING NUMBER **I-0216L-P0103-001-00**

APEGM
 Certificate of Authorization
 Stantec Consulting Ltd.
 No. 1301