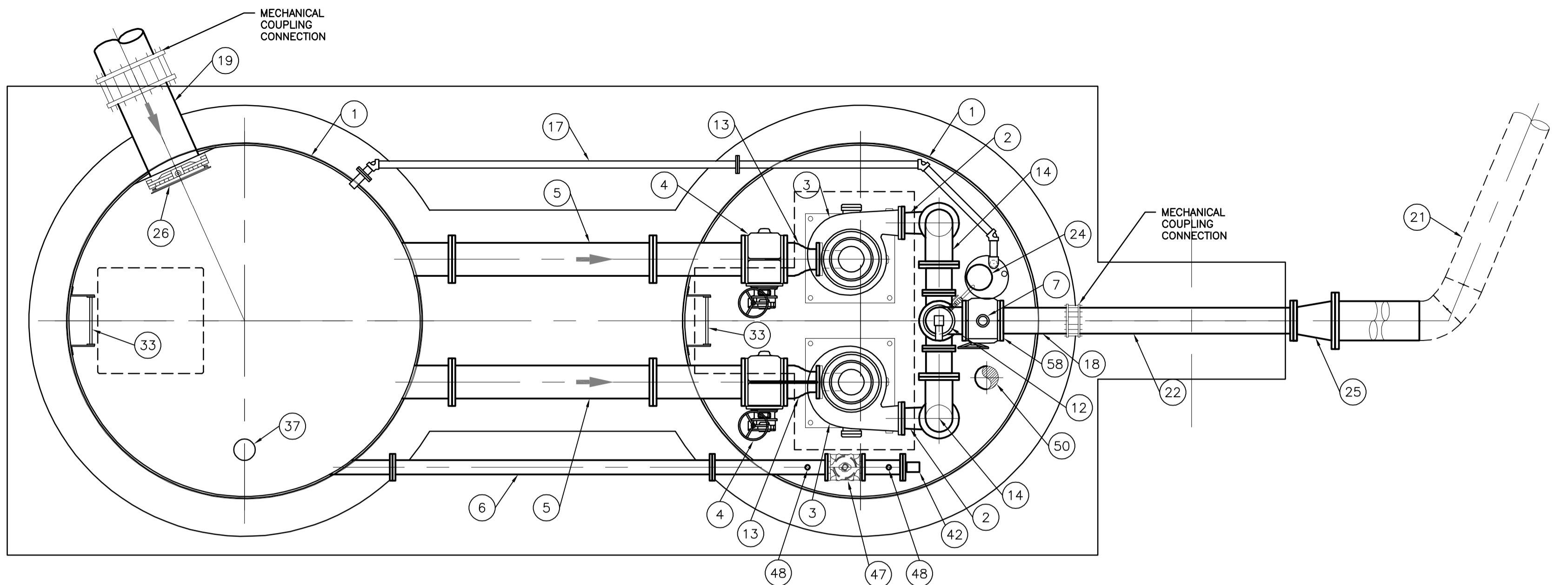
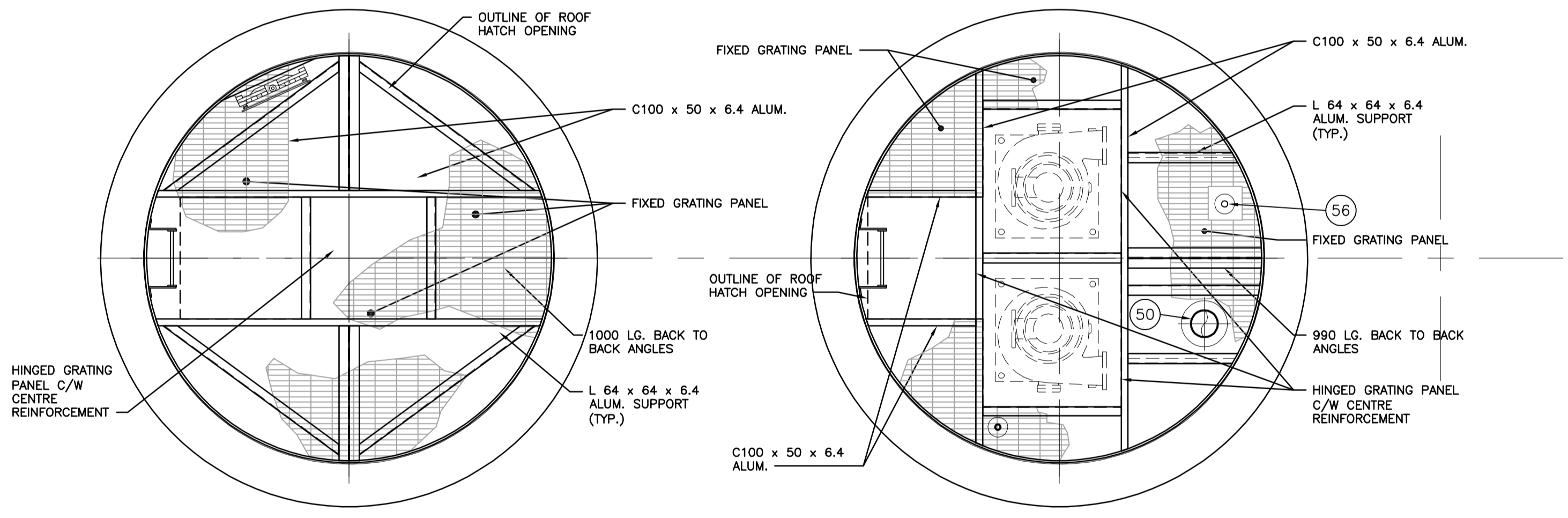


B SECTION
P101/P102 1:30



C SECTION
P101/P102 1:30



D SECTION
P101/P102 1:30

METRIC
WHOLE NUMBERS INDICATE MILLIMETRES
DECIMALIZED NUMBERS INDICATE METRES

WARNING

IF POWER EQUIPMENT OR EXPLOSIVES ARE TO BE USED FOR EXCAVATION ON THIS PROJECT THE CONTRACTOR MUST:
1) NOTIFY THE GAS COMPANY OF THE PROPOSED LOCATION OF EXCAVATION.
2) TAKE PRECAUTION TO AVOID DAMAGE TO GAS COMPANY INSTALLATIONS.
SEE PROVINCIAL REGULATION 140/92 FOR DETAILS

LOCATION APPROVED UNDERGROUND STRUCTURES

SUPV. U/G STRUCTURES COMMITTEE	DATE

NOTE:
LOCATION OF UNDERGROUND STRUCTURES AS SHOWN ARE BASED ON THE BEST INFORMATION AVAILABLE BUT NO GUARANTEE IS GIVEN THAT ALL EXISTING UTILITIES ARE SHOWN OR THAT THE GIVEN LOCATIONS ARE EXACT. CONFIRMATION OF EXISTENCE AND EXACT LOCATION OF ALL SERVICES MUST BE OBTAINED FROM THE INDIVIDUAL UTILITIES BEFORE PROCEEDING WITH CONSTRUCTION.

NO.	REVISIONS	DATE	BY	M.H.
2	ISSUED FOR TENDER	15.12.23	M.H.	
1	ISSUED FOR 95% REVIEW	15.12.04	M.H.	

Stantec
500 - 311 Portage Avenue, Winnipeg M8 Canada R3B 2B9
Tel. 204.489.5900 Fax. 204.453.9012 www.stantec.com

DESIGNED BY: M.H.	CHECKED BY: R.G.
DRAWN BY: K.R.	APPROVED BY: C.L.D.

HOR. SCALE: AS. NOTED
VERTICAL:

RELEASED FOR CONSTRUCTION:

DATE: 2015.11.05

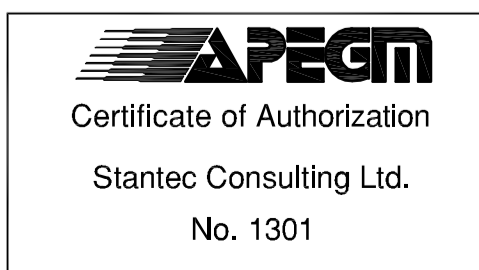
ENGINEER'S SEAL
CONSULTANT DRAWING NO.
P-102

THE CITY OF WINNIPEG
PLANNING, PROPERTY & DEVELOPMENT

Winnipeg

ST. BONIFACE INDUSTRIAL PARK PHASE 2
WASTEWATER PUMPING STATION
SECTIONS

SHEET **I** OF **I**
CAD FILE DRAWING NUMBER **09351d-101-846.DWG**
CITY DRAWING NUMBER **I-0215L-P102-001**



V:\1168\active\116809351\0300_drawing\0302_sheet_files\06_process\phase 2\09351p-101-846.dwg
 2016/01/07 3:49 PM By: Remonrose, ksh