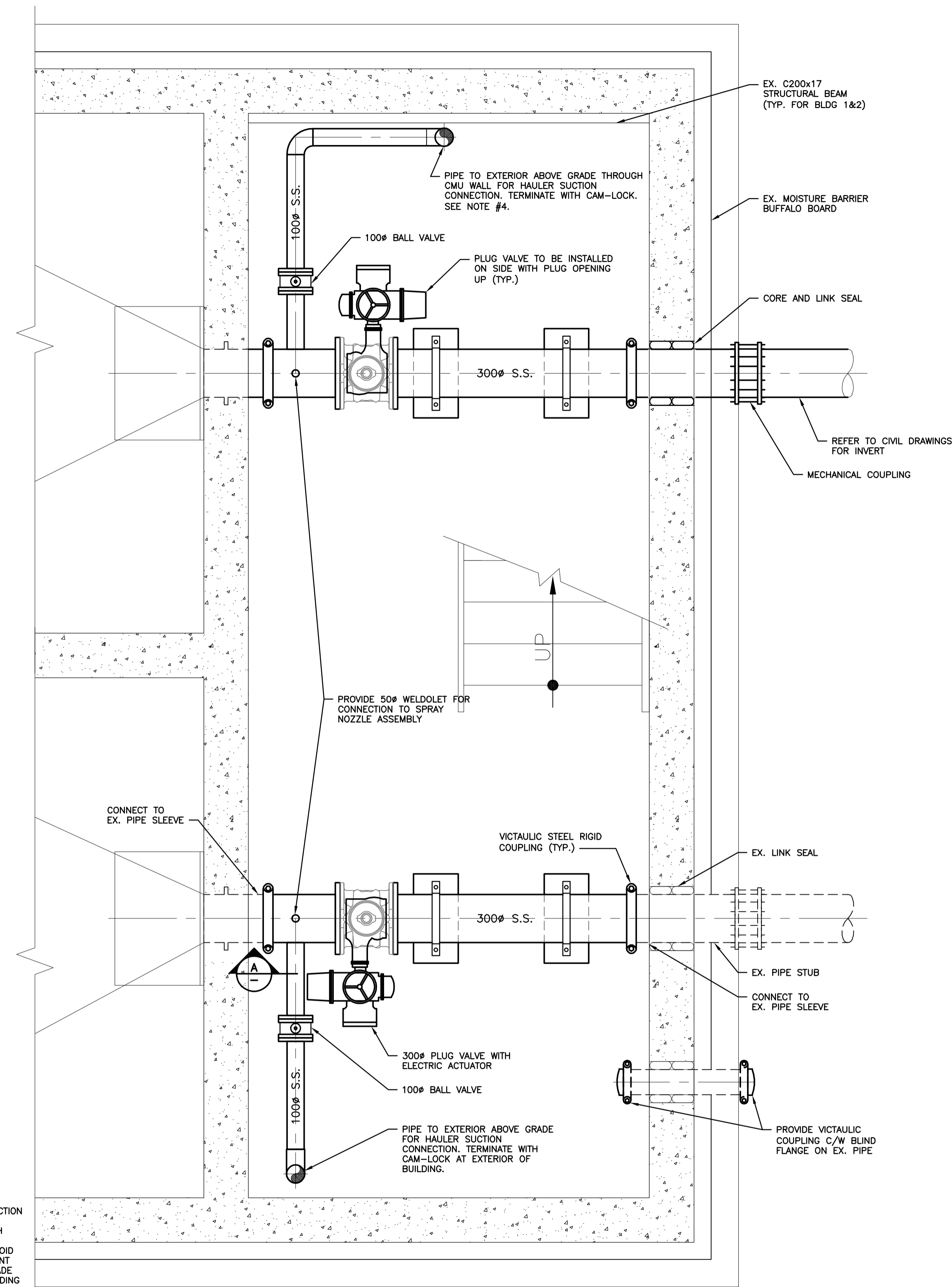


HAULED WASTEWATER BUILDING 1, TANK 2

PLAN

1:20

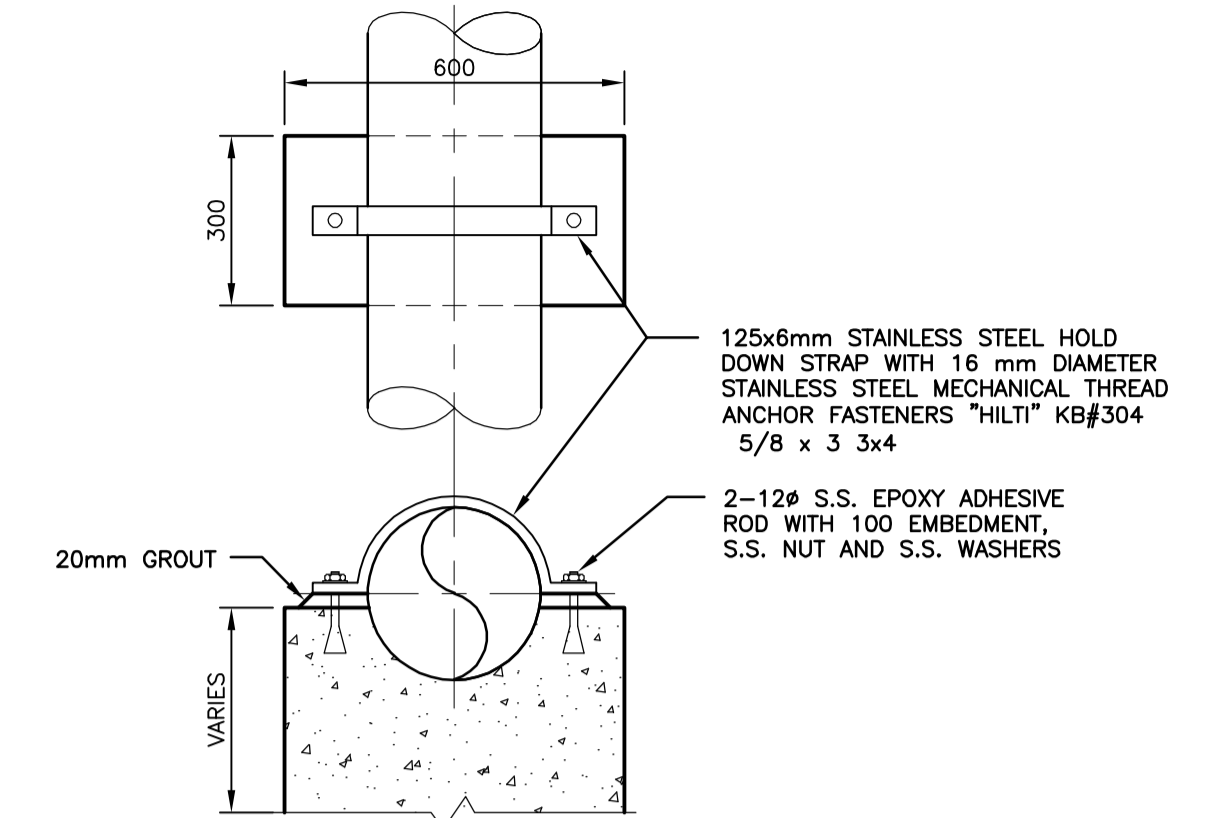
NOTE: HAULED WASTEWATER BUILDING 1, TANK 1 PLAN IS SIMILAR



HAULED WASTEWATER BUILDING 2

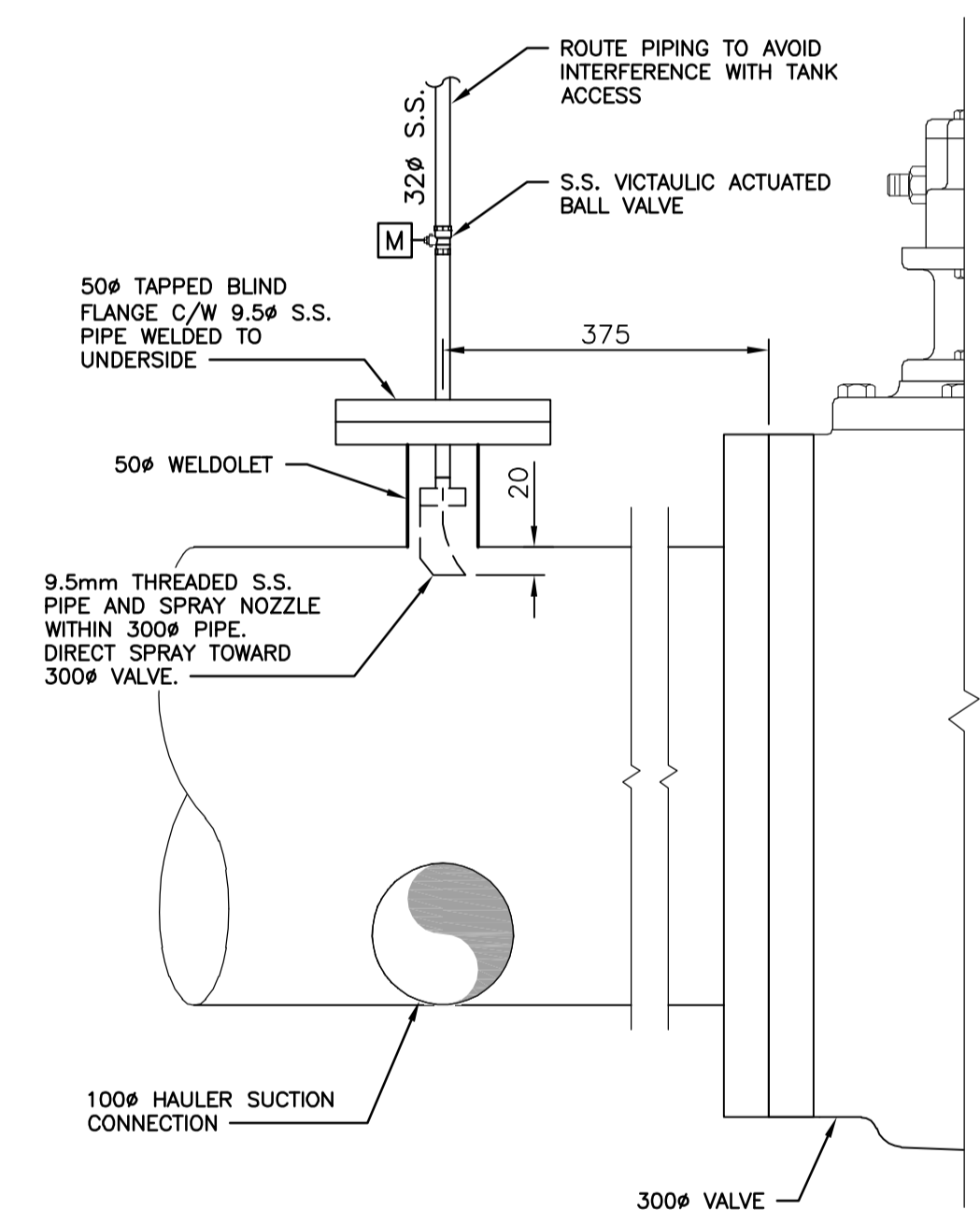
PLAN

1:20



TYPICAL PIPE SUPPORT DETAIL

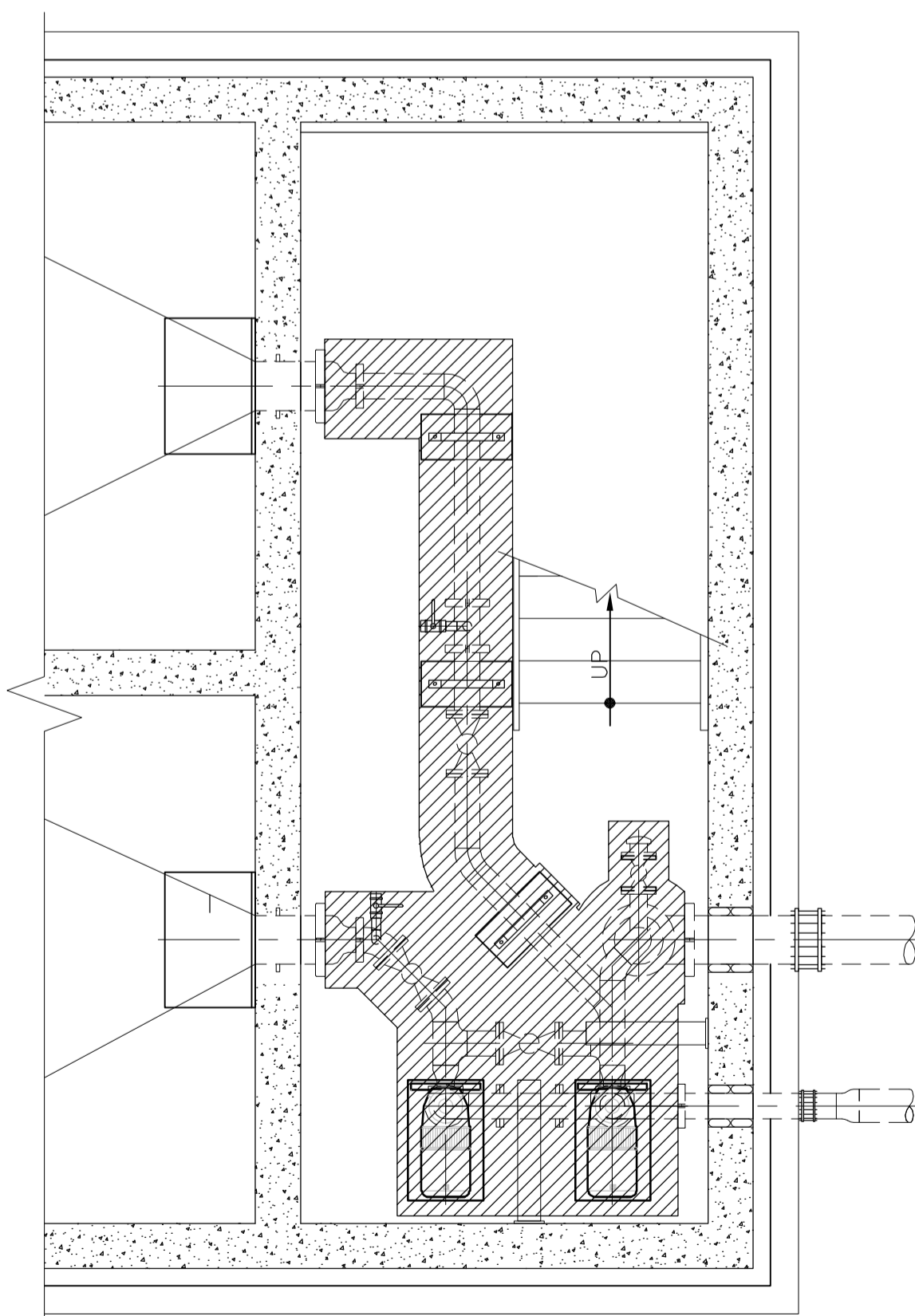
N.T.S.



SECTION A-A

N.T.S.

(4 REQUIRED)



HAULED WASTEWATER BUILDING 2

DEMOLITION PLAN

1:40

- NOTE:**
- CONTRACTOR IS RESPONSIBLE FOR DESIGN AND CONSTRUCTION OF BUILDING SUPPORT DURING EXCAVATION
 - ALL PIPE SHALL BE IPS TYPE 316L STAINLESS STEEL SCH 10S
 - COORDINATE SUCTION RISER PIPE LOCATION SO AS TO AVOID WALL MOUNTED EQUIPMENT AND BACKBOARD ON EQUIPMENT ROOM LEVEL AS WELL AS CONCRETE REINFORCING IN GRADE LEVEL FLOOR. CUT PENETRATION THROUGH ALUMINUM LANDING AND CORE OPENING IN CONCRETE ABOVE.
 - SUBMIT TO THE CONTRACT ADMINISTRATOR FOR REVIEW PRIOR TO COMMENCING EXCAVATION A SHORING DESIGN SIGNED AND SEALED BY A PROFESSIONAL ENGINEER LICENSED IN MANITOBA. PROVIDE DEWATERING PRIOR TO AND DURING EXCAVATION ADJACENT TO EXISTING HAULED WASTEWATER BUILDINGS TO AVOID DISTURBANCE TO BUILDINGS' FOUNDATIONS. EXCAVATION TO THE BASE SLAB SHALL NOT OCCUR UNLESS BOTH HOLDING TANKS IN THAT BUILDING HAVE BEEN EMPTIED.

WARNING

IF POWER EQUIPMENT OR EXPLOSIVES ARE TO BE USED FOR EXCAVATION ON THIS PROJECT THE CONTRACTOR MUST:
 1) NOTIFY THE GAS COMPANY OF THE PROPOSED LOCATION OF EXCAVATION.
 2) TAKE PRECAUTION TO AVOID DAMAGE TO GAS COMPANY INSTALLATIONS.
 SEE PROVINCIAL REGULATION 140/92 FOR DETAILS

METRIC

WHOLE NUMBERS INDICATE MILLIMETRES
 DECIMALIZED NUMBERS INDICATE METRES

LOCATION APPROVED UNDERGROUND STRUCTURES

SUPV. U/G STRUCTURES COMMITTEE DATE

NOTE:
 LOCATION OF UNDERGROUND STRUCTURES AS SHOWN ARE BASED ON THE BEST INFORMATION AVAILABLE BUT NO GUARANTEE IS GIVEN THAT ALL EXISTING UTILITIES ARE SHOWN OR THAT THE GIVEN LOCATIONS ARE EXACT. CONFIRMATION OF EXISTENCE AND EXACT LOCATION OF ALL SERVICES MUST BE OBTAINED FROM THE INDIVIDUAL UTILITIES BEFORE PROCEEDING WITH CONSTRUCTION.

B.M. ELEV.	NO.	REVISIONS	DATE	BY
	3	ISSUED FOR TENDER	16.03.09	S.K.B.
	2	ISSUED FOR TENDER REVIEW	16.03.07	S.K.B.
	1	ISSUED FOR 95% REVIEW	16.01.29	S.K.B.

Stantec 500-311 Portage Ave, Winnipeg MB Canada www.stantec.com	
DESIGNED BY: R.G.	CHECKED BY: S.A.B.
DRAWN BY: K.R.	APPROVED BY: S.K.B.
HOR. SCALE: AS NOTED	RELEASED FOR CONSTRUCTION: DATE
VERTICAL:	
PLOT DATE: 2016 03 08	

ENGINEER'S SEAL
 PROVINCE OF MANITOBA
 REGISTERED PROFESSIONAL ENGINEER
 R.J. GILLIS
 Member # 24774

THE CITY OF WINNIPEG
 WATER AND WASTE DEPARTMENT
 Winnipeg
NORTH END SEWAGE TREATMENT PLANT (NEWPC)
 HAULED LIQUID WASTE FACILITY PHASE II UPGRADE
 HAULED WASTEWATER BUILDINGS 1 & 2
 PROCESS MECHANICAL PLAN
 TENDER NO. 952-2015
 CITY DRAWING NUMBER I-OI0IY-P0002-001
 SHEET 2 OF 8

APEGM
 Certificate of Authorization
 Stantec Consulting Ltd.
 No. 1301