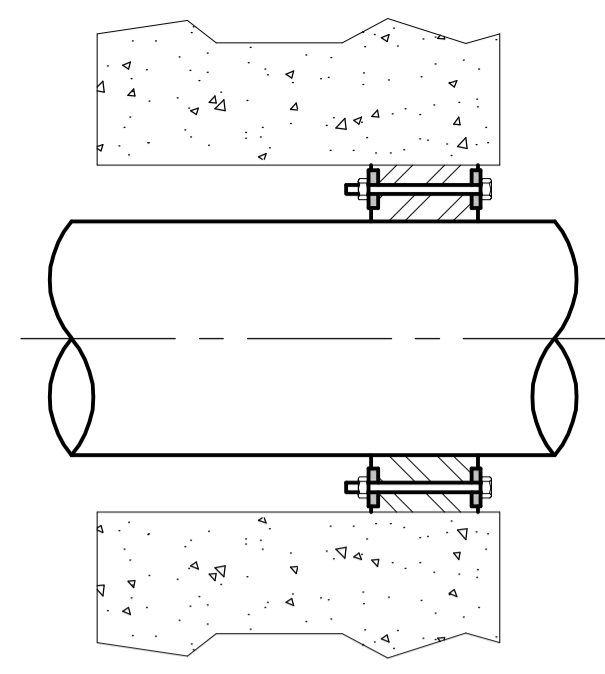
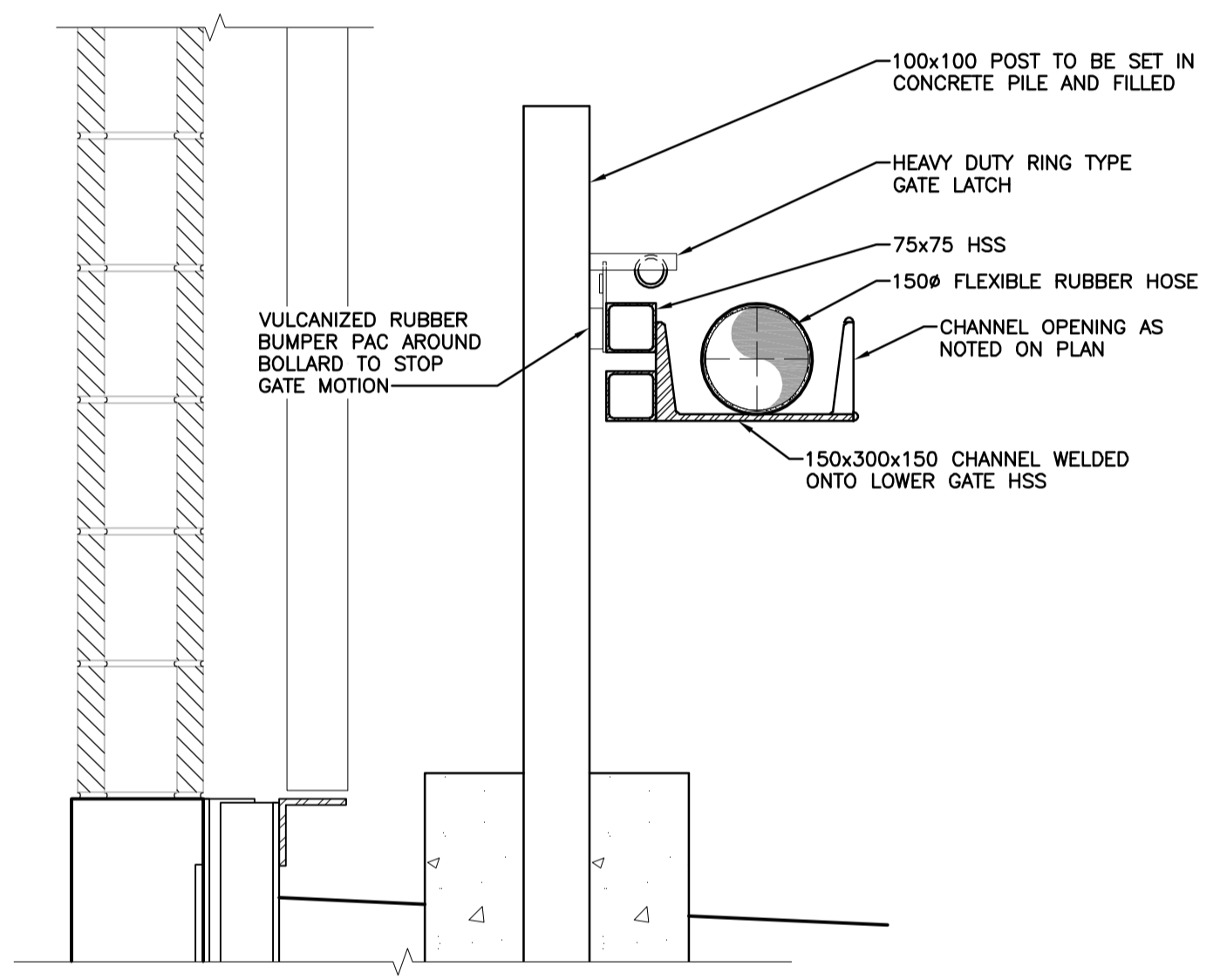


**1 GATE ASSEMBLY PLAN**  
X-C0001 P0002 1:20

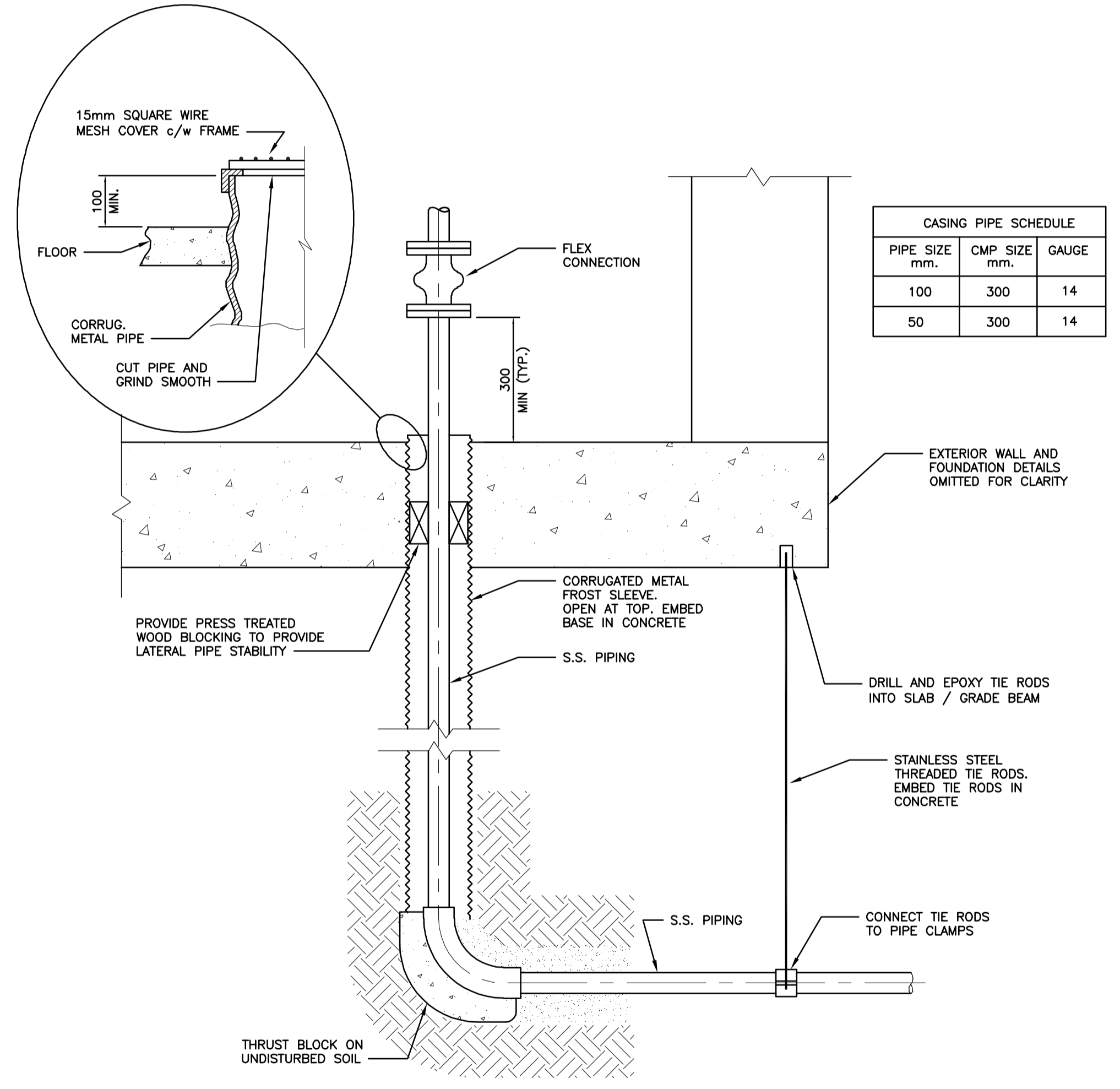


PIPE SIZE	HOLE I.D.	QUANTITY
75#	127#	1
100#	152#	6
200#	305#	4
250#	356#	4
300#	406#	1

**3 TYPICAL WALL PENETRATION DETAIL**  
P0003, P0004, P0006 P0002 N.T.S.

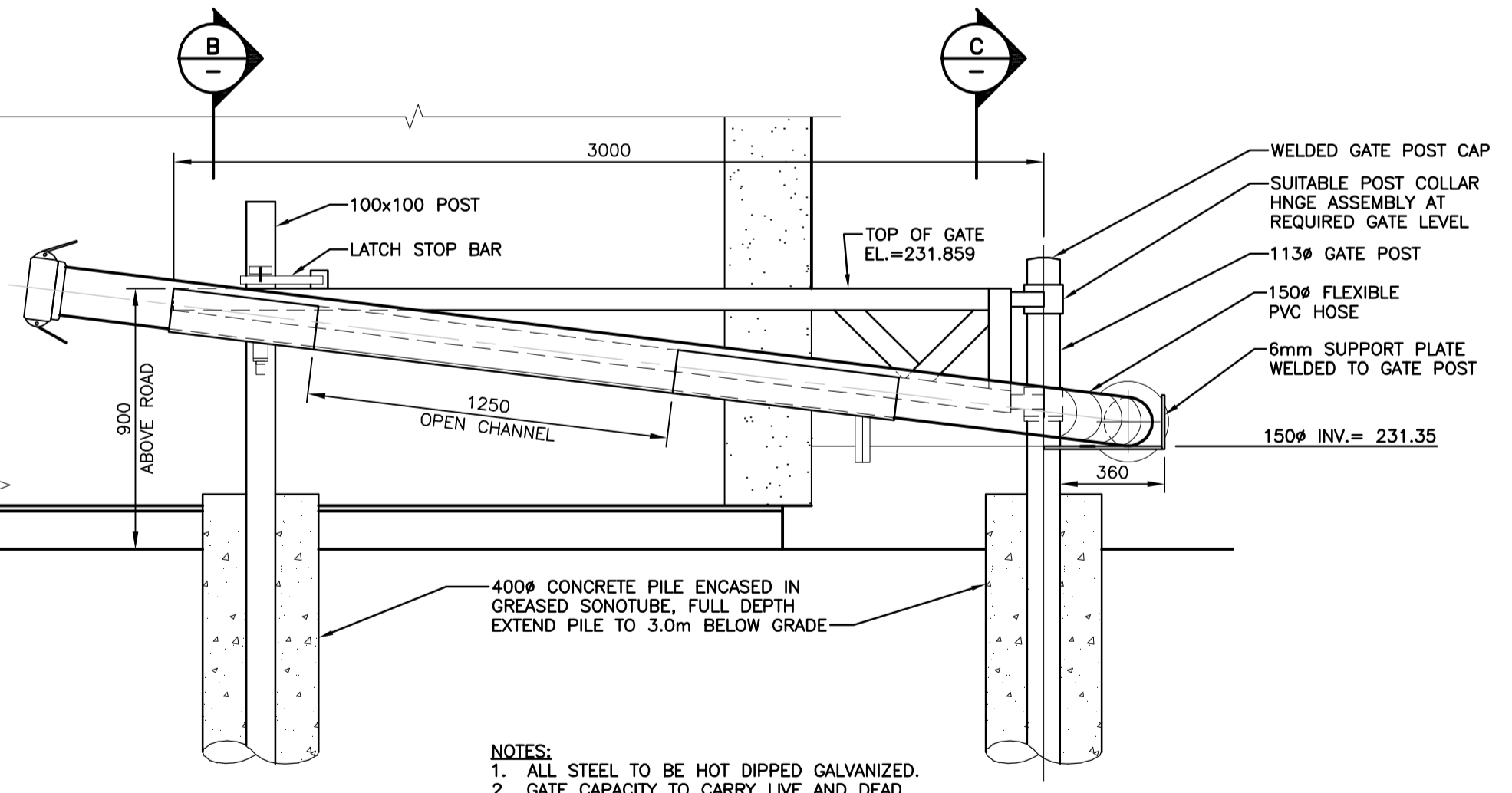


**B SECTION**  
1:10

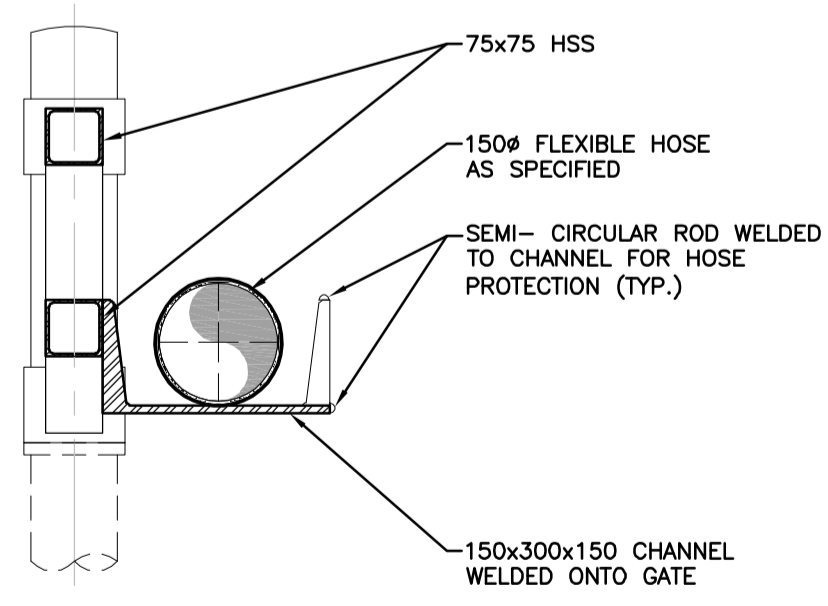


**4 FLUSHING WATER PIPE/BUILDING CONNECTION SECTION**  
P0001, P0005 P0002 N.T.S.

CASING PIPE SCHEDULE		
PIPE SIZE mm.	CMP SIZE mm.	GAUGE
100	300	14
50	300	14



**A GATE ELEVATION (CLOSED POSITION)**  
1:20



**C SECTION**  
1:10

NOTES:  
1. ALL STEEL TO BE HOT DIPPED GALVANIZED.  
2. GATE CAPACITY TO CARRY LIVE AND DEAD LOAD OF 227kg.

**WARNING**

IF POWER EQUIPMENT OR EXPLOSIVES ARE TO BE USED FOR EXCAVATION ON THIS PROJECT THE CONTRACTOR MUST:  
1) NOTIFY THE GAS COMPANY OF THE PROPOSED LOCATION OF EXCAVATION.  
2) TAKE PRECAUTION TO AVOID DAMAGE TO GAS COMPANY INSTALLATIONS.  
SEE PROVINCIAL REGULATION 140/92 FOR DETAILS

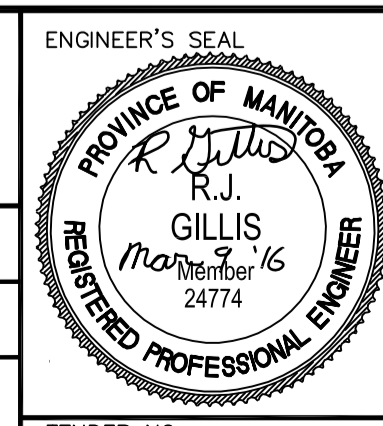
**METRIC**

WHOLE NUMBERS INDICATE MILLIMETRES  
DECIMALIZED NUMBERS INDICATE METRES

LOCATION APPROVED UNDERGROUND STRUCTURES		B.M. ELEV.
SUPV. U/G STRUCTURES COMMITTEE	DATE	
NOTE: LOCATION OF UNDERGROUND STRUCTURES AS SHOWN ARE BASED ON THE BEST INFORMATION AVAILABLE BUT NO GUARANTEE IS GIVEN THAT ALL EXISTING UTILITIES ARE SHOWN OR THAT THE GIVEN LOCATIONS ARE EXACT. CONFIRMATION OF EXISTENCE AND EXACT LOCATION OF ALL SERVICES MUST BE OBTAINED FROM THE INDIVIDUAL UTILITIES BEFORE PROCEEDING WITH CONSTRUCTION.		
NO.	REVISIONS	DATE BY
3	ISSUED FOR TENDER	16.03.09 S.K.B.
2	ISSUED FOR TENDER REVIEW	16.03.07 S.K.B.
1	ISSUED FOR 95% REVIEW	16.01.29 S.K.B.



DESIGNED BY	R.G.	CHECKED BY	S.A.B.
DRAWN BY	K.R.	APPROVED BY	S.K.B.
HOR. SCALE: AS NOTED		RELEASED FOR CONSTRUCTION:	
DATE: 2016.01.05		DATE:	



**THE CITY OF WINNIPEG**  
WATER AND WASTE DEPARTMENT

**Winnipeg**

**NORTH END SEWAGE TREATMENT PLANT (NEWPC) HAULED LIQUID WASTE FACILITY PHASE II UPGRADE**

MISCELLANEOUS DETAILS

TENDER NO. **952-2015** CITY DRAWING NUMBER **I-OIOIX-P0002-001** SHEET **8** OF **8**

V:\1112\active\111216000\0300\_drawing\0302\_sheet\_files\06\_process\1-0101X-P0002-001.dwg 2016/03/08 6:41 PM By: Schierl, Corinne