

EXHAUST FAN SCHEDULE																
TAG	DESCRIPTION	LOCATION	QTY	MFG	MODEL	FLOW RATE		STATIC PRESSURE		FAN	MOTOR		VS-PH-HZ	WEIGHT		NOTES
						[CFM]	[L/S]	[IN H2O]	[Pa]		[RPM]	[HP]		[kW]	[LB]	
F-X691	DIRECT DRIVE CABINET SUPPLY FAN	LEACHATE SAMPLING BLDG.	1	GREENHECK	CSP-A1750	250	118	0.8	199	1046	0.5	0.55	115-160	150	68	1
F-X692	SIDEWALL DIRECT DRIVE EXHAUST FAN	LEACHATE SAMPLING BLDG.	1	GREENHECK	SE1-8-440-VG	250	118	0.15	37	1541	.03	0.02	115-160	20	9	1

Notes:
1) AMCA Certified

UNIT HEATER SCHEDULE														
TAG	DESCRIPTION	LOCATION	QTY	MFG	MODEL	FLOW RATE		MOTOR		CAPACITY	VS-PH-HZ	WEIGHT		NOTES
						[CFM]	[L/S]	[HP]	[kW]			[kW]	[LB]	
UH-X603	ELECTRIC UNIT HEATER	LEACHATE SAMPLING BLDG.	1	OUELLET	OAS05036	700	330	0.03	0.02	5	600-3-60	45	20	

Notes:
1)

DUCT HEATER SCHEDULE														
TAG	DESCRIPTION	LOCATION	QTY	MFG	MODEL	FLOW RATE		TEMP. °C		CAPACITY	VS-PH-HZ	WEIGHT		NOTES
						[CFM]	[L/S]	[IN]	[OUT]			[kW]	[LB]	
DH-X693	ELECTRIC DUCT HEATER	LEACHATE SAMPLING BLDG.	1	EH PRICE	DFFF00H	250	118	-33	-5	4	600-3-60	45	20	1,2,3
DH-X694	ELECTRIC DUCT HEATER	LEACHATE SAMPLING BLDG.	1	EH PRICE	DFFF00H	250	118	-5	20	4	600-3-60	45	20	1,2,3,4

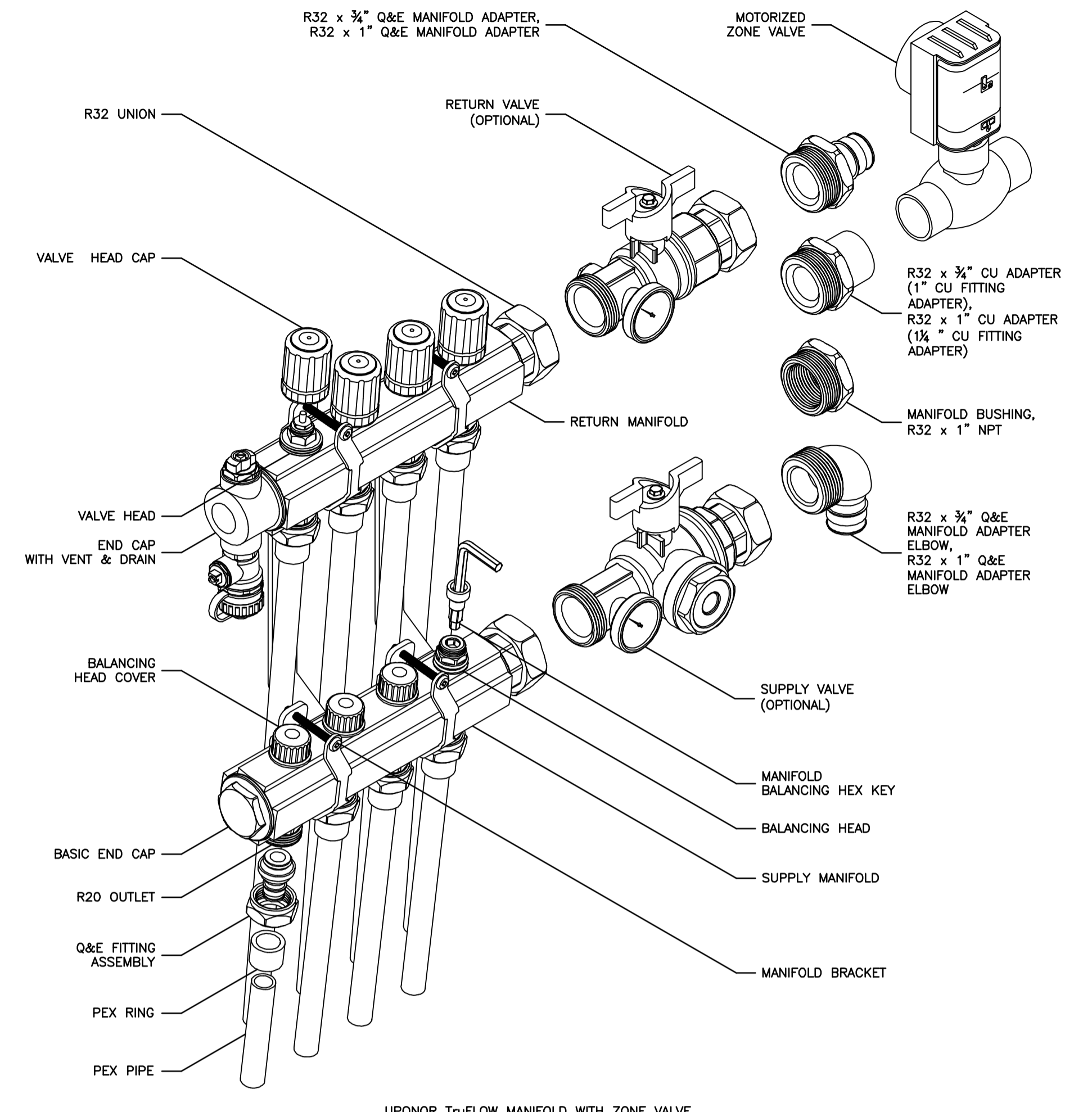
Notes:
1) BUILT-IN CONTROLS SCR MODULATION, AIRFLOW SENSOR, DISCHARGE TEMPERATURE SENSOR
2) FINNED TUBE ELEMENTS
3) NEMA TYPE 12 CONTROL PANEL
4) STAGE-2 HEATING BY THERMOSTAT

LOUVER SCHEDULE													
TAG	DESCRIPTION	LOCATION	QTY	MFG	MODEL	FLOW RATE		WIDTH		HEIGHT		NOTES	
						[CFM]	[L/S]	[MM]	[IN]	[MM]	[IN]		
L-1	Ventilation Louver	LEACHATE SAMPLING BLDG.	2	E H Price	DE439	/	/	400	16	400	16	1, 2	

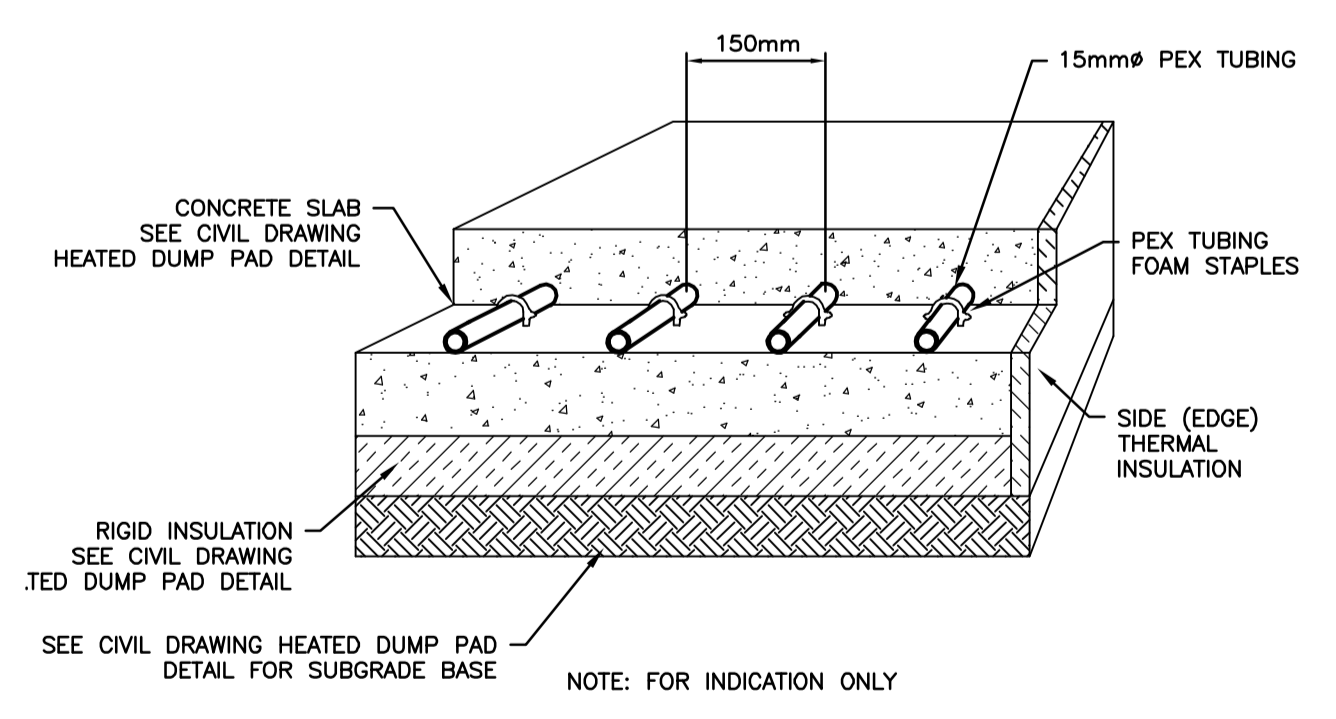
Notes:
1) C/W bird screen
2) Colour to be standard

DIFFUSER SCHEDULE									
TAG	DESCRIPTION	LOCATION	QTY	MFG	MODEL	FLOW RATE		NOTES	
						[CFM]	[L/S]		
S-1	ROUND CONE DIFFUSER	LEACHATE SAMPLING BLDG.	1	E H Price	24/RCDAB12	250	118	1, 2	

Notes:
1) DUCT MOUNTED



1 SNOW-MELT MANIFOLD DETAIL
M0004 N T S



2 SNOW-MELT PAD DETAIL
M0004 N T S

V:\1112\active\111216000\0300_drawing\0300_sheet_files\07_mechanical\1-0101X-M0004-001-00.dwg
2016/03/09 11:18 AM By: Sagar, Chandra



WARNING
 IF POWER EQUIPMENT OR EXPLOSIVES ARE TO BE USED FOR EXCAVATION ON THIS PROJECT THE CONTRACTOR MUST:
 1) NOTIFY THE GAS COMPANY OF THE PROPOSED LOCATION OF EXCAVATION.
 2) TAKE PRECAUTION TO AVOID DAMAGE TO GAS COMPANY INSTALLATIONS.
 SEE PROVINCIAL REGULATION 140/92 FOR DETAILS

METRIC
 WHOLE NUMBERS INDICATE MILLIMETRES
 DECIMALIZED NUMBERS INDICATE METRES

LOCATION APPROVED UNDERGROUND STRUCTURES			
SUPV. U/G STRUCTURES COMMITTEE	DATE	B.M. ELEV.	

NOTE:
 LOCATION OF UNDERGROUND STRUCTURES AS SHOWN ARE BASED ON THE BEST INFORMATION AVAILABLE BUT NO GUARANTEE IS GIVEN THAT ALL EXISTING UTILITIES ARE SHOWN OR THAT THE GIVEN LOCATIONS ARE EXACT. CONFIRMATION OF EXISTENCE AND EXACT LOCATION OF ALL SERVICES MUST BE OBTAINED FROM THE INDIVIDUAL UTILITIES BEFORE PROCEEDING WITH CONSTRUCTION.

NO.	REVISIONS	DATE	BY
3	ISSUED FOR TENDER	16.03.09	B.H.
2	ISSUED FOR TENDER REVIEW	16.03.07	B.H.
1	ISSUED FOR 95% REVIEW	16.01.29	B.H.

Stantec
 500-311 Portage Ave, Winnipeg MB Canada
 www.stantec.com

DESIGNED BY: G.V.
 CHECKED BY: B.H.
 DRAWN BY: G.V.
 APPROVED BY: S.K.B.

HOR. SCALE: AS NOTED
 VERTICAL: RELEASED FOR CONSTRUCTION:
 DATE: 2016.01.12.

ENGINEER'S SEAL
 PROVINCE OF MANITOBA
 B.A. HAUGH
 2016-03-09
 REGISTERED PROFESSIONAL ENGINEER

THE CITY OF WINNIPEG
 WATER AND WASTE DEPARTMENT

Winnipeg

**NORTH END SEWAGE TREATMENT PLANT (NEWPC)
 HAULED LIQUID WASTE FACILITY PHASE II UPGRADE**

**MECHANICAL HVAC
 EQUIPMENT SCHEDULES AND DETAILS**

TENDER NO. 952-2015
 CITY DRAWING NUMBER I-010IX-M0004-001
 SHEET 4 OF 4