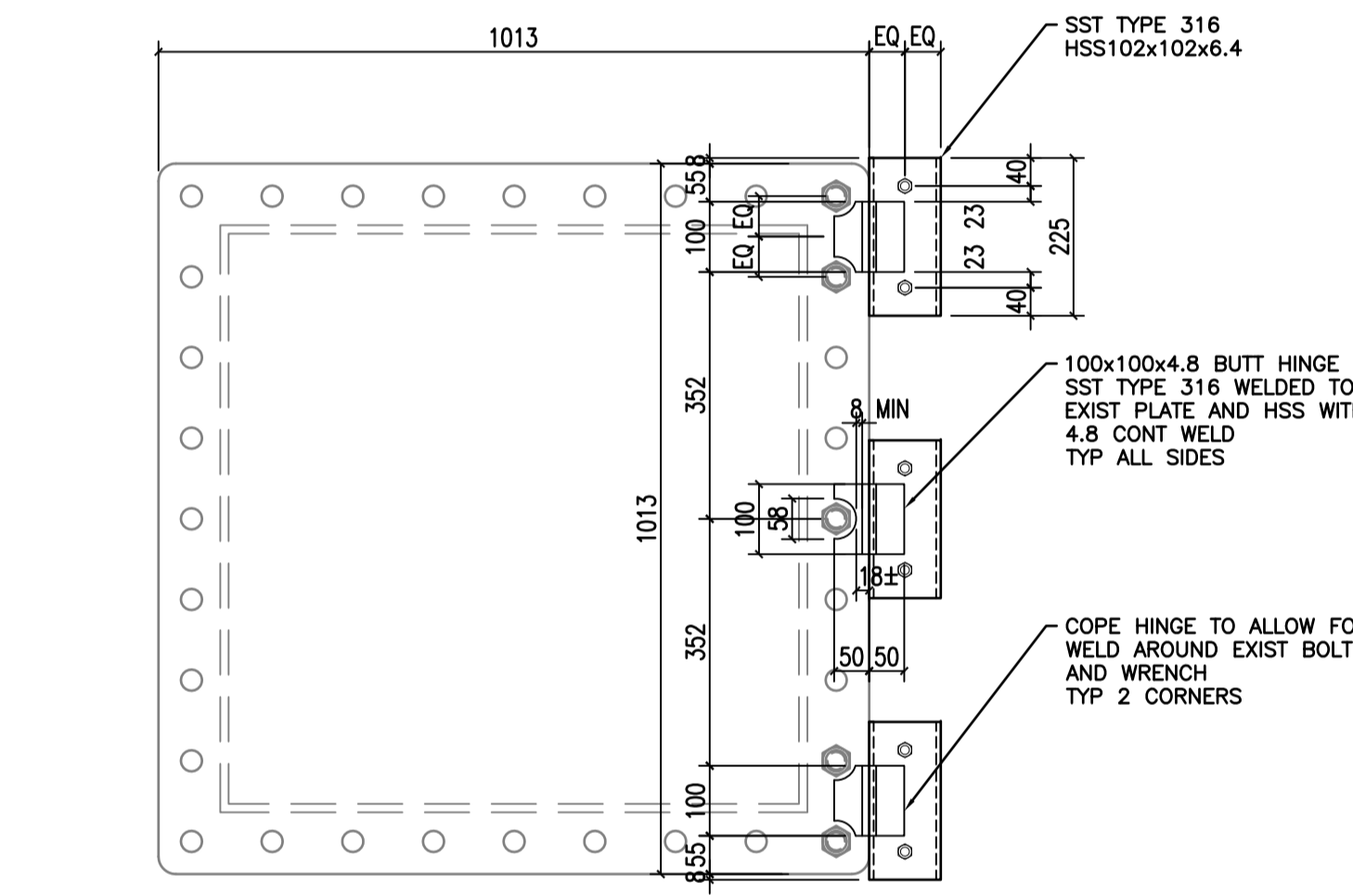
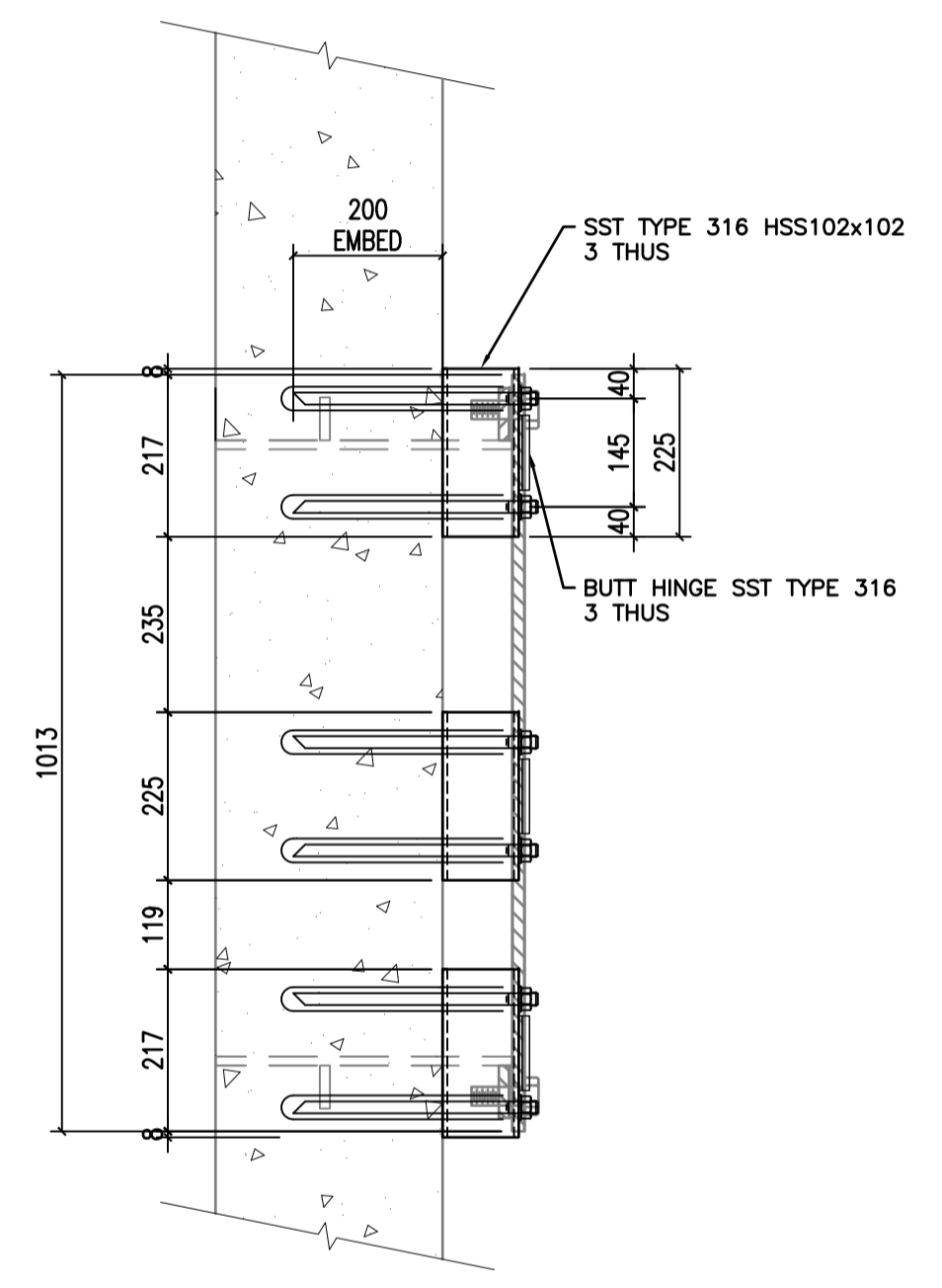


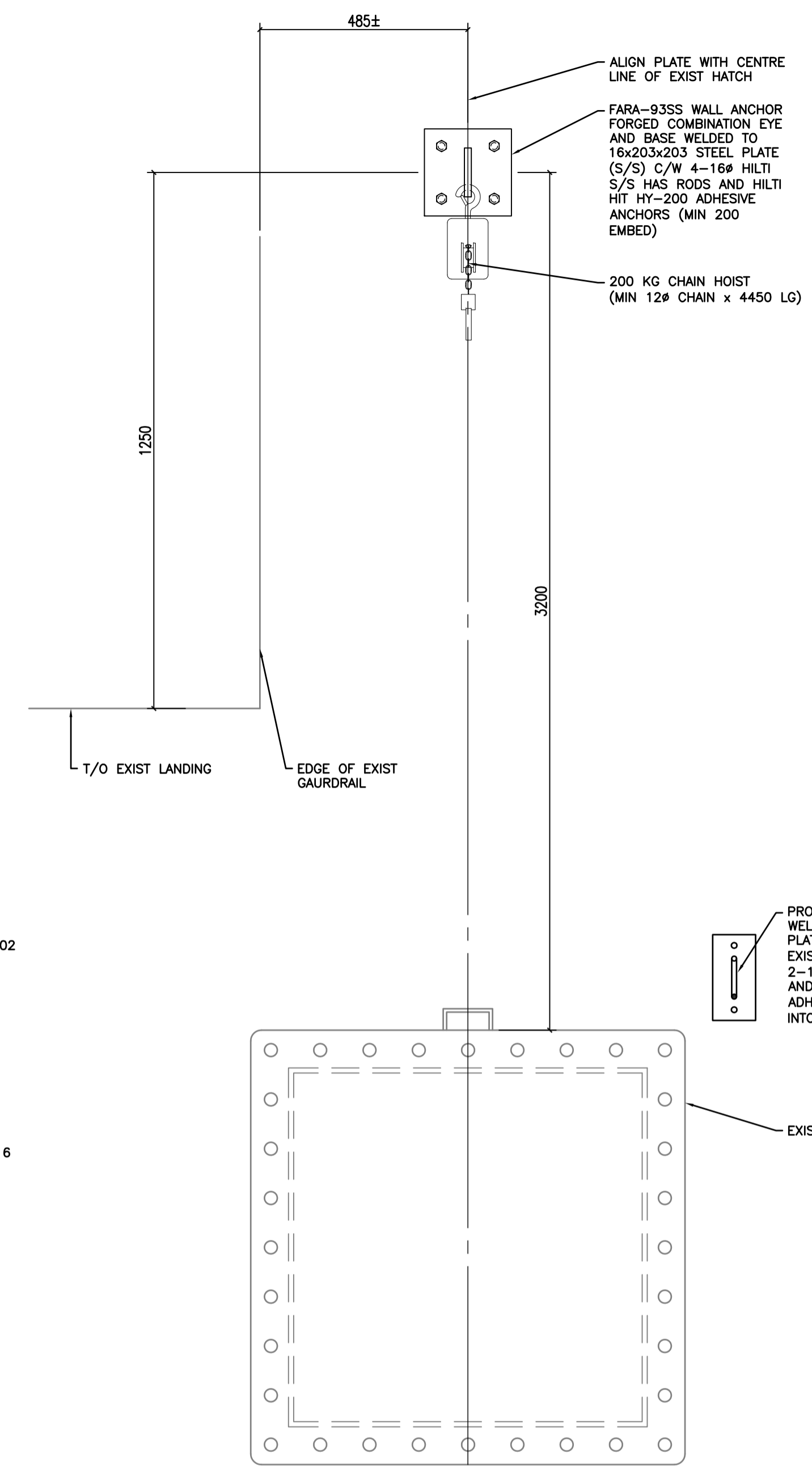
PLAN



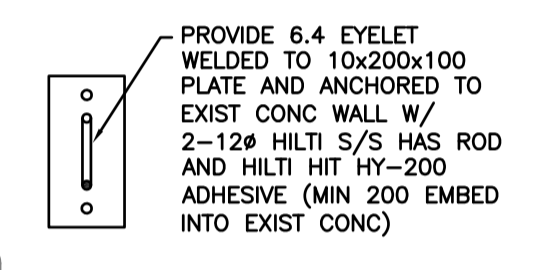
ELEVATION



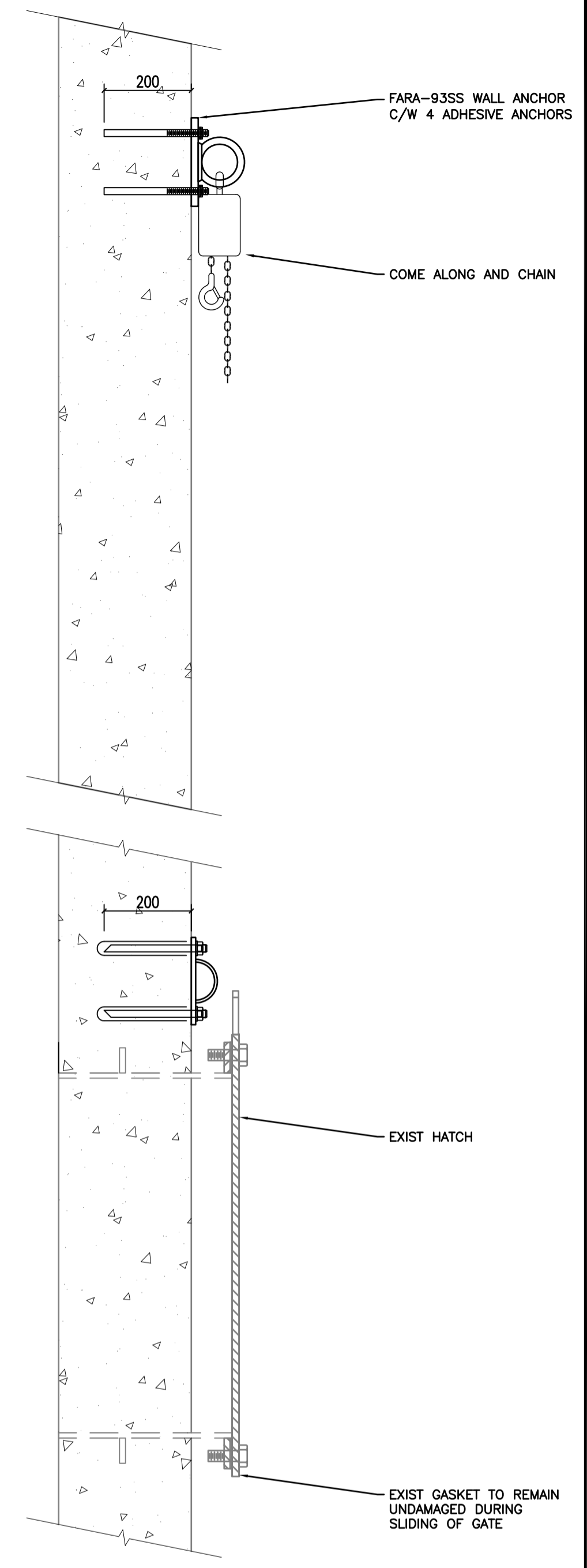
SECTION



ELEVATION



EXIST HATCH



SECTION

A
HINGED ACCESS HATCH (2 LOCS)
IN EXIST HAULED LIQUID WASTE BLDG 2 (TANK 3 & 4)
-S0013 1:10

B
RAISED ACCESS HATCH W/ CHAIN HOIST
IN EXIST HAULED LIQUID WASTE BLDG 1 (TANK 2)
-S0013 1:10

SCAN FOR REINFORCING PRIOR TO INSTALLING ANCHORS



WARNING
IF POWER EQUIPMENT OR EXPLOSIVES ARE TO BE USED FOR EXCAVATION ON THIS PROJECT THE CONTRACTOR MUST:
1) NOTIFY THE GAS COMPANY OF THE PROPOSED LOCATION OF EXCAVATION.
2) TAKE PRECAUTION TO AVOID DAMAGE TO GAS COMPANY INSTALLATIONS.
SEE PROVINCIAL REGULATION 140/92 FOR DETAILS

METRIC
WHOLE NUMBERS INDICATE MILLIMETRES
DECIMALIZED NUMBERS INDICATE METRES

LOCATION APPROVED UNDERGROUND STRUCTURES

SUPV. U/G STRUCTURES COMMITTEE	DATE

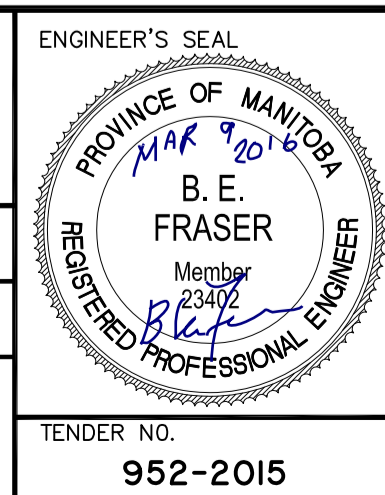
NOTE:
LOCATION OF UNDERGROUND STRUCTURES AS SHOWN ARE BASED ON THE BEST INFORMATION AVAILABLE BUT NO GUARANTEE IS GIVEN THAT ALL EXISTING UTILITIES ARE SHOWN OR THAT THE GIVEN LOCATIONS ARE EXACT. CONFIRMATION OF EXISTENCE AND EXACT LOCATION OF ALL SERVICES MUST BE OBTAINED FROM THE INDIVIDUAL UTILITIES BEFORE PROCEEDING WITH CONSTRUCTION.

NO.	REVISIONS	DATE	BY
3	ISSUED FOR TENDER	16.03.09	B.F.
2	ISSUED FOR TENDER REVIEW	16.03.07	B.F.
1	ISSUED FOR 95% REVIEW	16.01.29	B.F.

Stantec
500-311 Portage Ave, Winnipeg MB Canada
www.stantec.com

DESIGNED BY	B.F.	CHECKED BY	B.W.
DRAWN BY	C.J.U.	APPROVED BY	S.K.B.

HOR. SCALE: AS NOTED
VERTICAL: RELEASED FOR CONSTRUCTION:
DATE: 2016.01.12



THE CITY OF WINNIPEG
WATER AND WASTE DEPARTMENT

Winnipeg

NORTH END SEWAGE TREATMENT PLANT (NEWPC) HAULED LIQUID WASTE FACILITY PHASE II UPGRADE

STRUCTURAL HATCH PLANS AND SECTIONS

TENDER NO. 952-2015	CITY DRAWING NUMBER I-0101A-S0013-001	SHEET OF 5 6
------------------------	--	-----------------