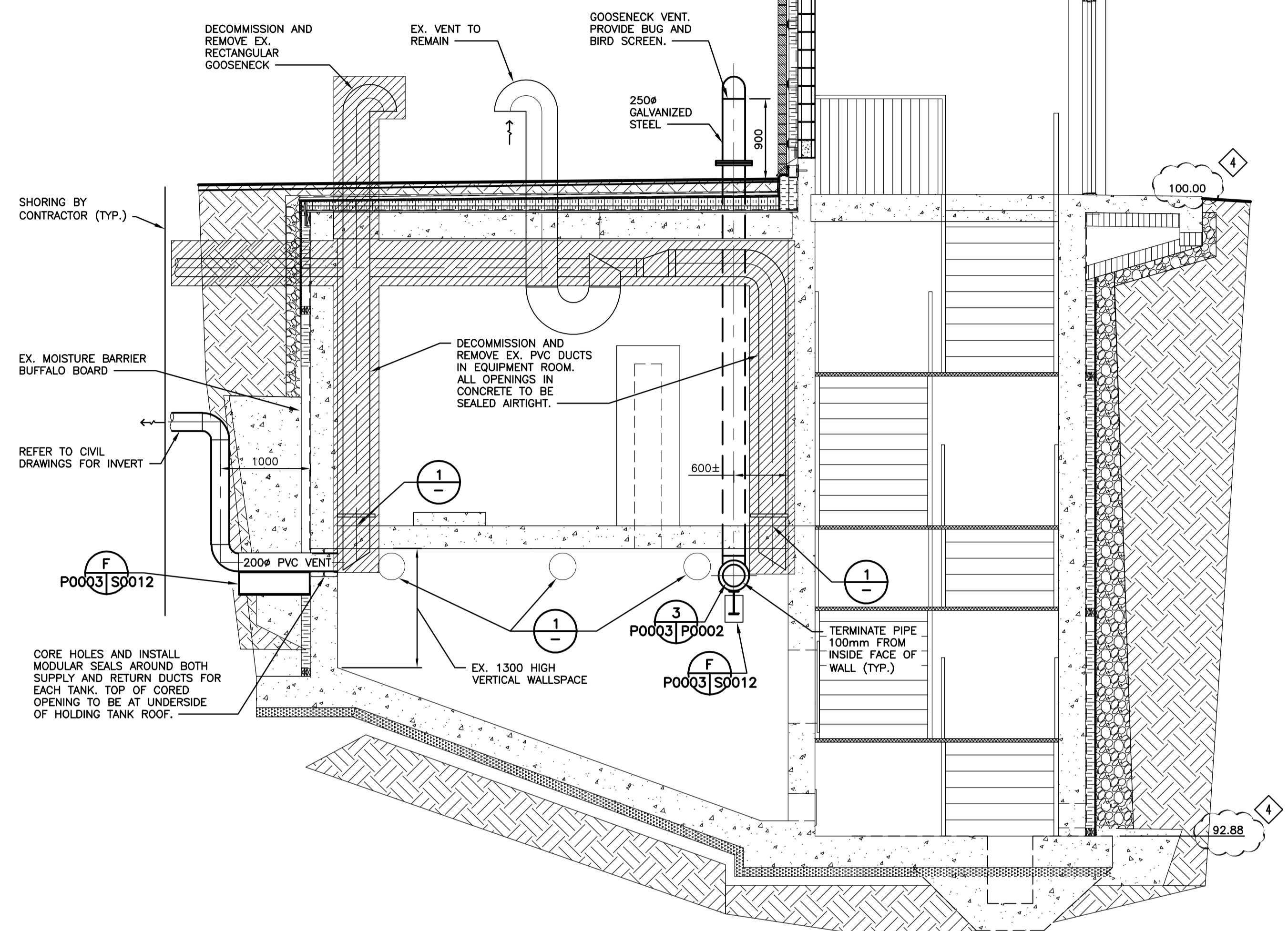
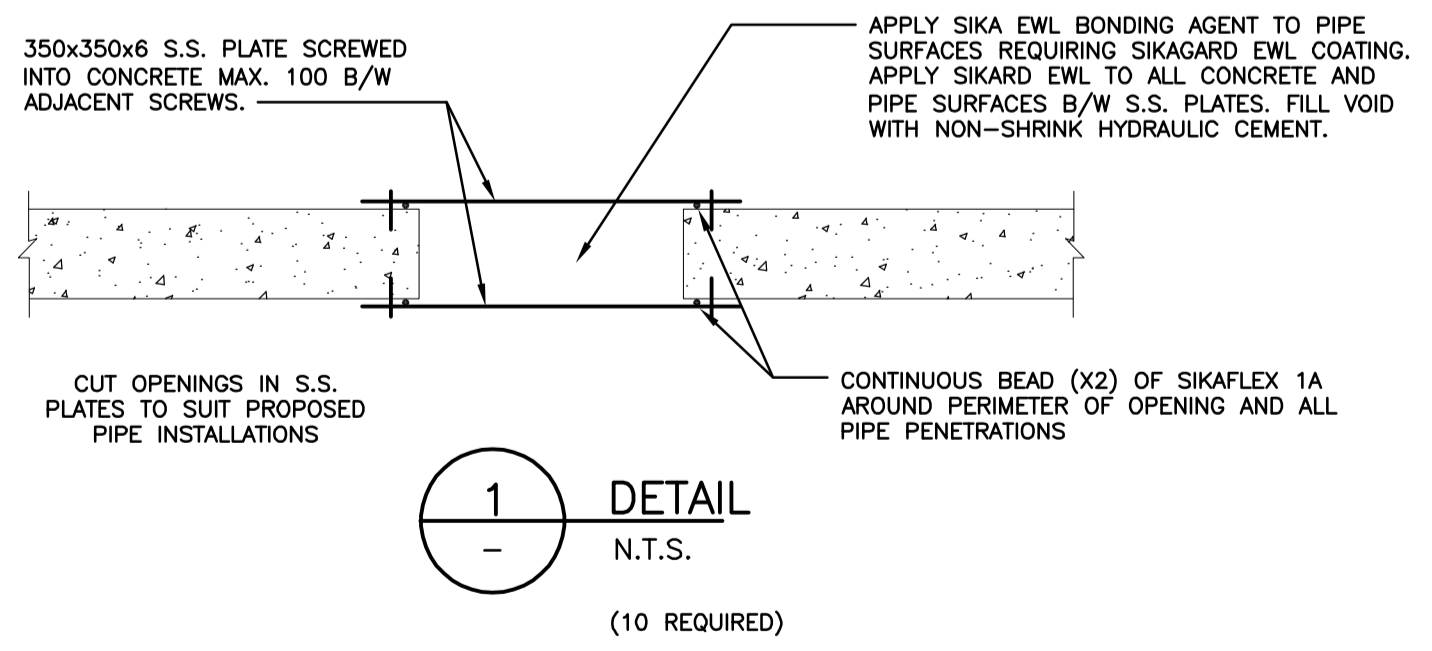


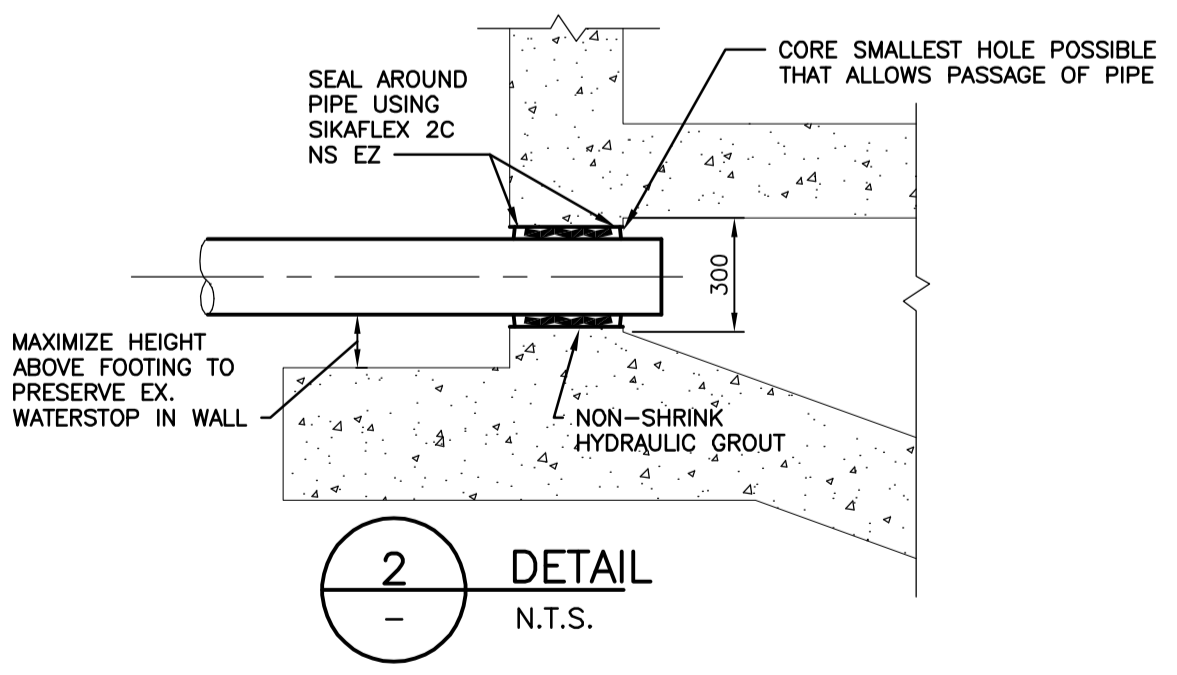
HAULED WASTEWATER BUILDING NO. 1
 (FORMERLY HAULED WASTEWATER BUILDING)
 SCALE 1:40



HAULED WASTEWATER BUILDING NO. 2
 (FORMERLY LEACHATE RECEIVING BUILDING)
 SCALE 1:40



1
 -
 DETAIL
 N.T.S.
 (10 REQUIRED)



2
 -
 DETAIL
 N.T.S.

- NOTES:**
- SUBMIT TO THE CONTRACT ADMINISTRATOR FOR REVIEW PRIOR TO COMMENCING EXCAVATION A SHORING DESIGN SIGNED AND SEALED BY A PROFESSIONAL ENGINEER LICENSED IN MANITOBA. PROVIDE DEWATERING PRIOR TO AND DURING EXCAVATION ADJACENT TO EXISTING HAULED WASTEWATER BUILDINGS TO AVOID DISTURBANCE TO BUILDINGS' FOUNDATIONS. EXCAVATION TO THE BASE SLAB SHALL NOT OCCUR UNLESS BOTH HOLDING TANKS IN THAT BUILDING HAVE BEEN EMPTIED.
 - COORDINATE SUPPLY VENT LOCATION TO MINIMIZE DISTURBANCE TO EX. GLYCOL HEATING LOOP

WARNING

IF POWER EQUIPMENT OR EXPLOSIVES ARE TO BE USED FOR EXCAVATION ON THIS PROJECT THE CONTRACTOR MUST:
 1) NOTIFY THE GAS COMPANY OF THE PROPOSED LOCATION OF EXCAVATION.
 2) TAKE PRECAUTION TO AVOID DAMAGE TO GAS COMPANY INSTALLATIONS.
 SEE PROVINCIAL REGULATION 140/92 FOR DETAILS

METRIC

WHOLE NUMBERS INDICATE MILLIMETRES
 DECIMALIZED NUMBERS INDICATE METRES

LOCATION APPROVED UNDERGROUND STRUCTURES			
SUPV. U/G STRUCTURES	DATE		
NOTE: LOCATION OF UNDERGROUND STRUCTURES AS SHOWN ARE BASED ON THE BEST INFORMATION AVAILABLE BUT NO GUARANTEE IS GIVEN THAT ALL EXISTING UTILITIES ARE SHOWN OR THAT THE GIVEN LOCATIONS ARE EXACT. CONFIRMATION OF EXISTENCE AND EXACT LOCATION OF ALL SERVICES MUST BE OBTAINED FROM THE INDIVIDUAL UTILITIES BEFORE PROCEEDING WITH CONSTRUCTION.			

NO.	REVISIONS	DATE	BY
4	ISSUED FOR ADDENDUM #4	16.04.06	S.K.B.
3	ISSUED FOR TENDER	16.03.09	S.K.B.
2	ISSUED FOR TENDER REVIEW	16.03.07	S.K.B.
1	ISSUED FOR 95% REVIEW	16.01.29	S.K.B.

Stantec
 500-311 Portage Ave, Winnipeg MB Canada
 www.stantec.com

DESIGNED BY: R.G.	CHECKED BY: S.A.B.
DRAWN BY: K.R.	APPROVED BY: S.K.B.
HOR. SCALE: AS NOTED	RELEASED FOR CONSTRUCTION: _____
VERTICAL: _____	DATE: _____

ENGINEER'S SEAL
ORIGINAL SEALED BY
R.J. GILLIS
P. ENG.
16/03/09

THE CITY OF WINNIPEG
 WATER AND WASTE DEPARTMENT

Winnipeg

NORTH END SEWAGE TREATMENT PLANT (NEWPC)
 HAULED LIQUID WASTE FACILITY PHASE II UPGRADE

HAULED WASTEWATER BUILDINGS I & 2
 VENTILATION SECTIONS AND DETAILS

TENDER NO. **952-2015** CITY DRAWING NUMBER **I-0101Y-P0003-001** SHEET **3** OF **8**

