

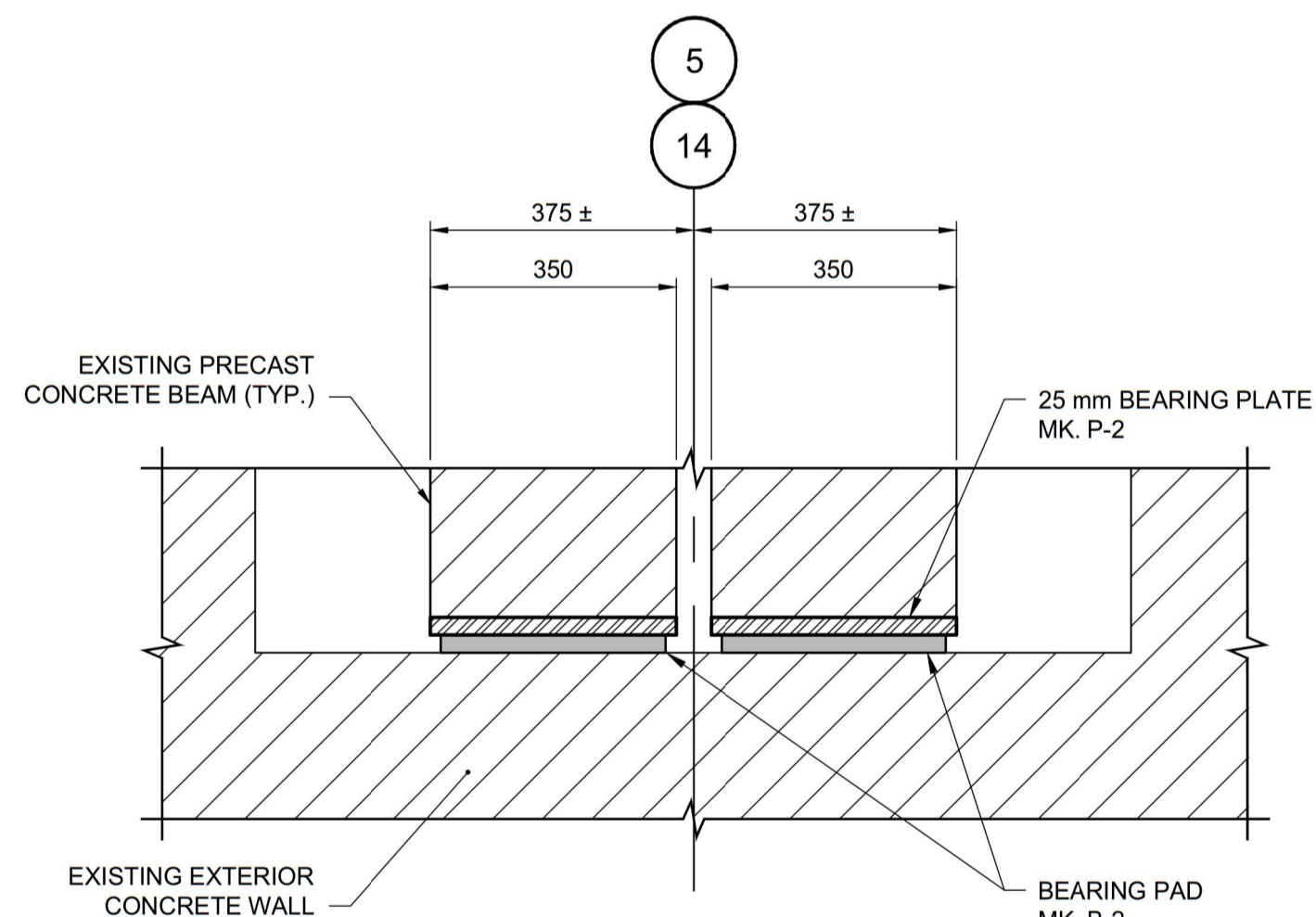
3 3 3 3
24 25 26 27

DETAIL 1:10

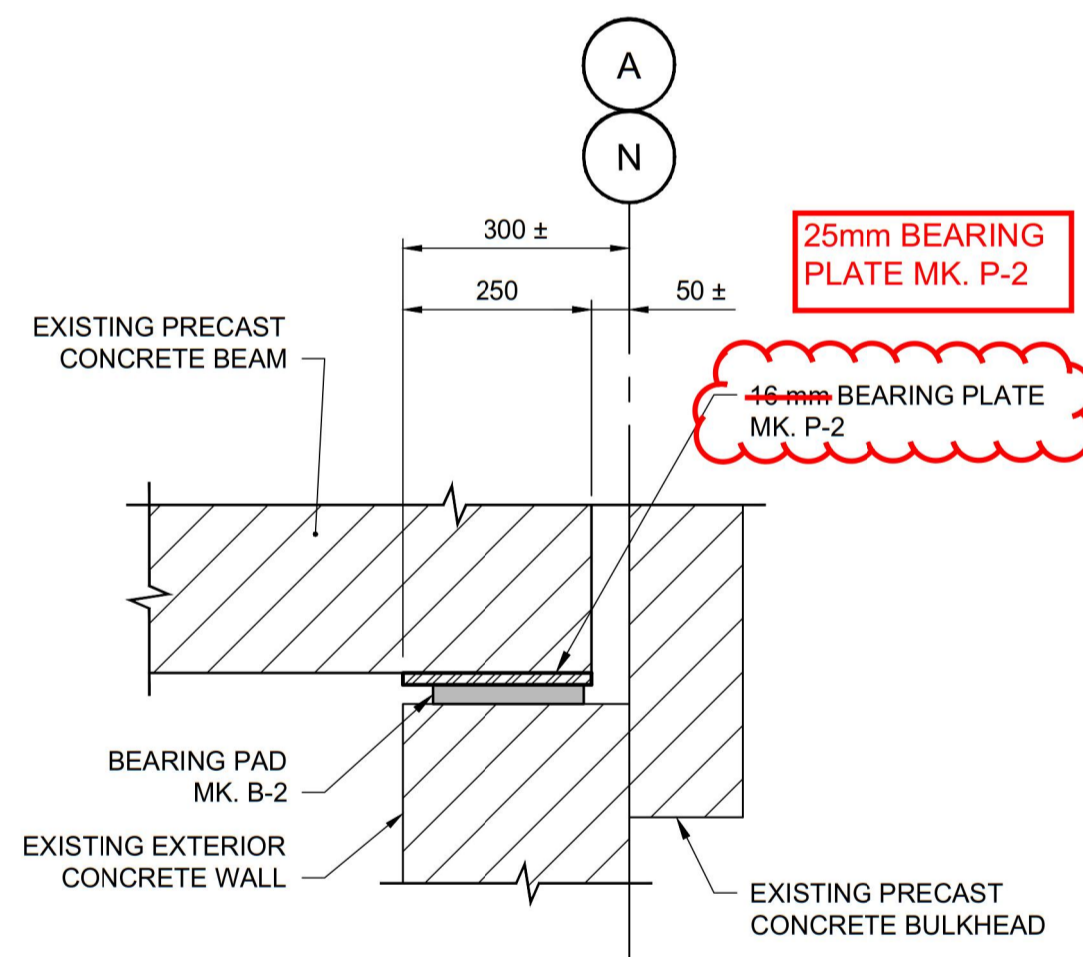
BEARING PLATES AT EXTERIOR WALLS MARK P-2

BEARING PLATE MARK P-2 INSTALLATION AND ASSEMBLY - CONSTRUCTION PROCEDURE NOTES:

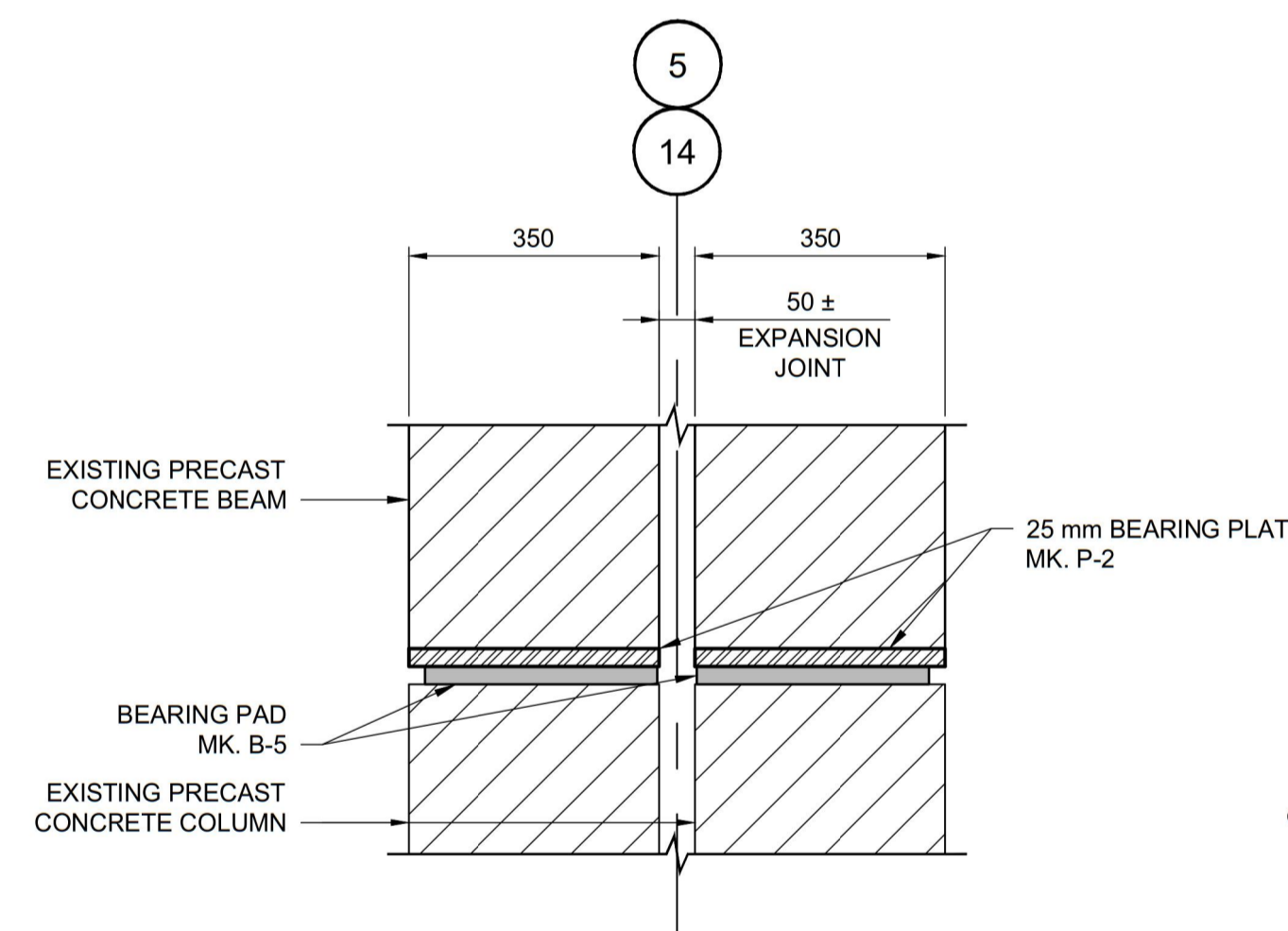
- CLEAN EXPOSED BEAM ENDS, SIDES, AND BOTTOMS BY SANDBLASTING TO REMOVE OLD COATINGS AND SURFACE CONTAMINANTS EXPOSING THE FINE AGGREGATE TO SCP 5 - 7.
- JACK EXISTING BEAM SIMULTANEOUSLY 75 - 100 mm ABOVE COLUMN TOP. NO TWO ADJACENT DOUBLE COLUMNS ON THE SAME BEAM LINE SHALL BE JACKED AND SUSPENDED AT THE SAME TIME. JACKING FRAMES SAFE CAPACITY TO BE 50 TONNES (490 kN) PER PAIR OF BEAMS ON THE NORTH AND SOUTH SIDES OF THE SUPPORTING COLUMNS AND DESIGNED TO TRANSFER LOADS TO THE FOUNDATION PILING.
- JACKING FRAME SHALL BE DESIGNED BY A STRUCTURAL PROFESSIONAL ENGINEER REGISTERED IN THE PROVINCE OF MANITOBA.
- SEALED DESIGN DRAWINGS AND CALCULATIONS SHALL BE SUBMITTED TO THE CONTRACT ADMINISTRATOR FOR REVIEW PRIOR TO COMMENCING OF THE WORK IN ACCORDANCE WITH THE SPECIFICATIONS.
- REMOVE EXISTING BEARING PADS AND CLEAN BY WIRE BRUSH THE TOP OF THE COLUMN AND UNDERSIDE OF THE BEAM AT THE BEARING AREA. INSTALL NEW BEARING PADS AND BEARING PLATES AS SHOWN ON THE DRAWINGS AND IN ACCORDANCE WITH THE SPECIFICATIONS.
- SPREAD TOP OF THE NEW BEARING PLATE WITH SPECIFIED EPOXY GEL AND SIMULTANEOUSLY LOWER THE BEAMS ON TO THE NEW BEARINGS.
- REPAIR EXISTING BEAM SPALLS AS DETAILED, REFER TO SHEET 13 FOR LOCATIONS AND REPAIR PROCEDURES. PROTECT BEARINGS AND BEARING PADS FROM ANY SPILLS OR DAMAGE DURING THIS OPERATION.
- SHOULD NEW BEAM SPALLS DEVELOP DURING THIS OPERATION, INFORM THE CONTRACT ADMINISTRATOR IMMEDIATELY AND REPAIR IN ACCORDANCE WITH THE SPECIFICATIONS.



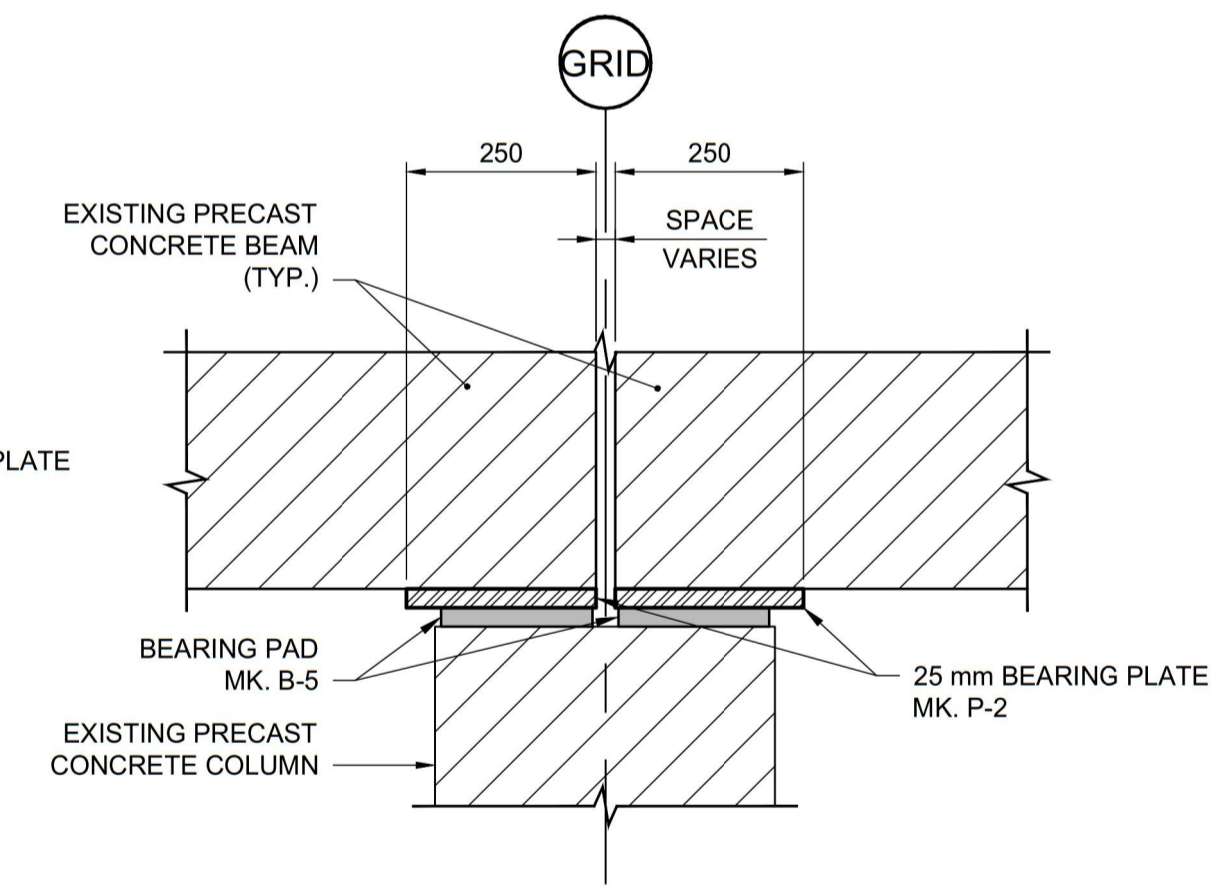
1 SECTION 1:10



2 SECTION 1:10



3 SECTION 1:10



4 SECTION 1:10

METRIC

WHOLE NUMBERS INDICATE MILLIMETRES
DECIMALIZED NUMBERS INDICATE METRES



LOCATION APPROVED UNDERGROUND STRUCTURES	
N/A	
SUPV. U/G STRUCTURES COMMITTEE	DATE
NOTE: LOCATION OF UNDERGROUND STRUCTURES AS SHOWN ARE BASED ON THE BEST INFORMATION AVAILABLE BUT NO GUARANTEE IS GIVEN THAT ALL EXISTING UTILITIES ARE SHOWN OR THAT THE GIVEN LOCATIONS ARE EXACT. CONFIRMATION OF EXISTENCE AND EXACT LOCATION OF ALL SERVICES MUST BE OBTAINED FROM THE INDIVIDUAL UTILITIES BEFORE PROCEEDING WITH CONSTRUCTION.	

B.M. ELEV.	CHECKED BY	DRA
CONSTRUCTION COMPLETION DATE:	APPROVED BY	SSR
	DESIGNED BY	FAK
	DRAWN BY	TLK
	SCALE:	AS NOTED
2 ISSUED FOR ADDENDUM No.2	2015 12 10	SSR
1 ISSUED FOR TENDER	2015 11 20	SSR
NO.	REVISIONS	DATE BY DATE

RELEASED FOR CONSTRUCTION	CONSULTANT DRAWING NUMBER	SHEET	OF	CITY DRAWING NUMBER
	14-1411-S-121	29	47	1-0650R-S0019-001



ENGINEER'S SEAL

THE CITY OF WINNIPEG
WATER AND WASTE DEPARTMENT
ENGINEERING DIVISION

WILKES RESERVOIR NORTH CELL REHABILITATION
BEARING PLATE MARK P-2
SECTIONS AND DETAILS
CONSTRUCTION PROCEDURES