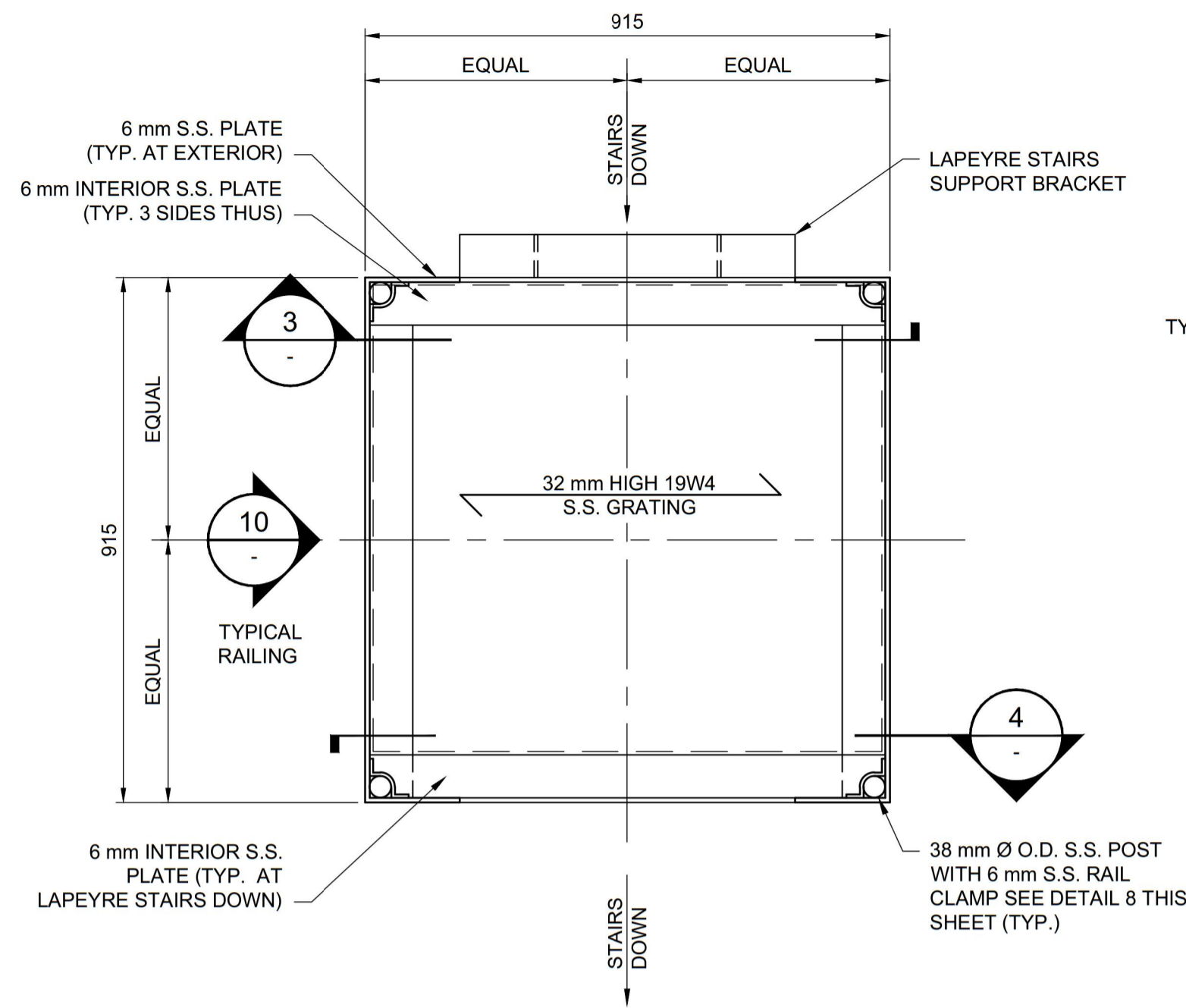
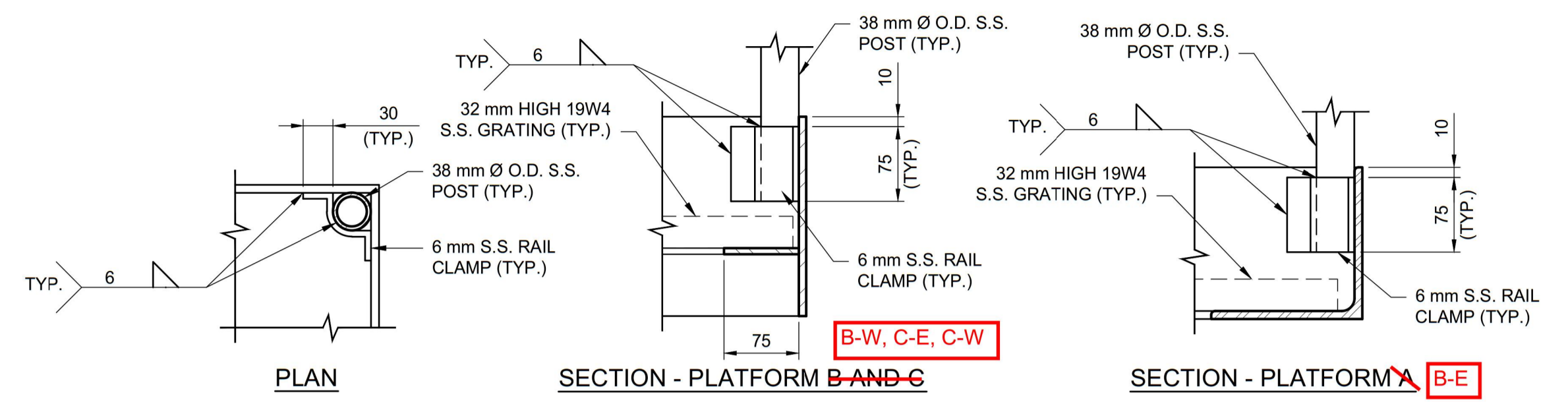


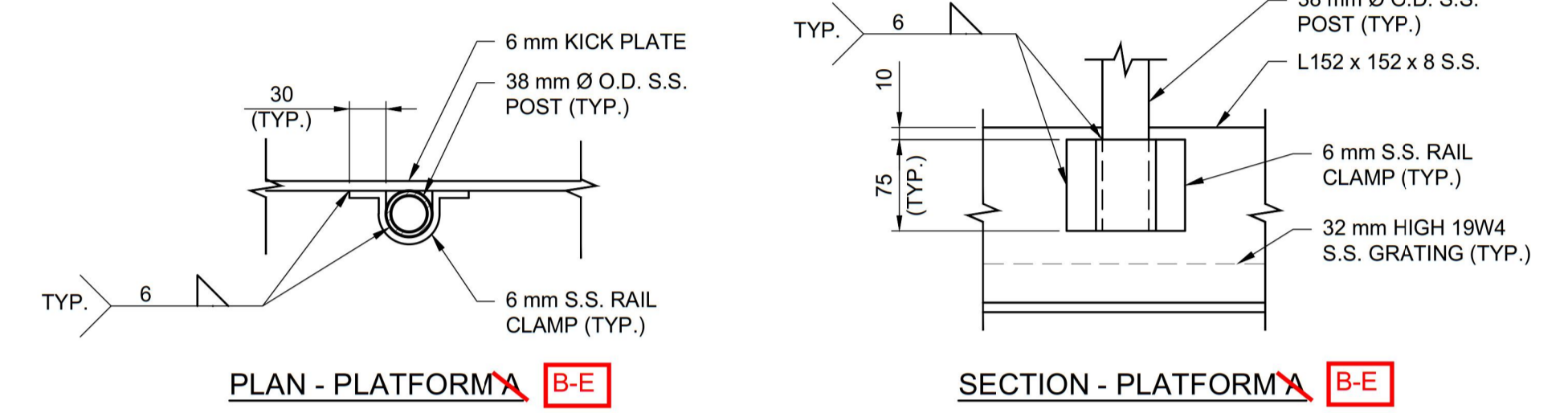
1 PLAN 1:10
TYPICAL PLATFORM B B-W & C-E



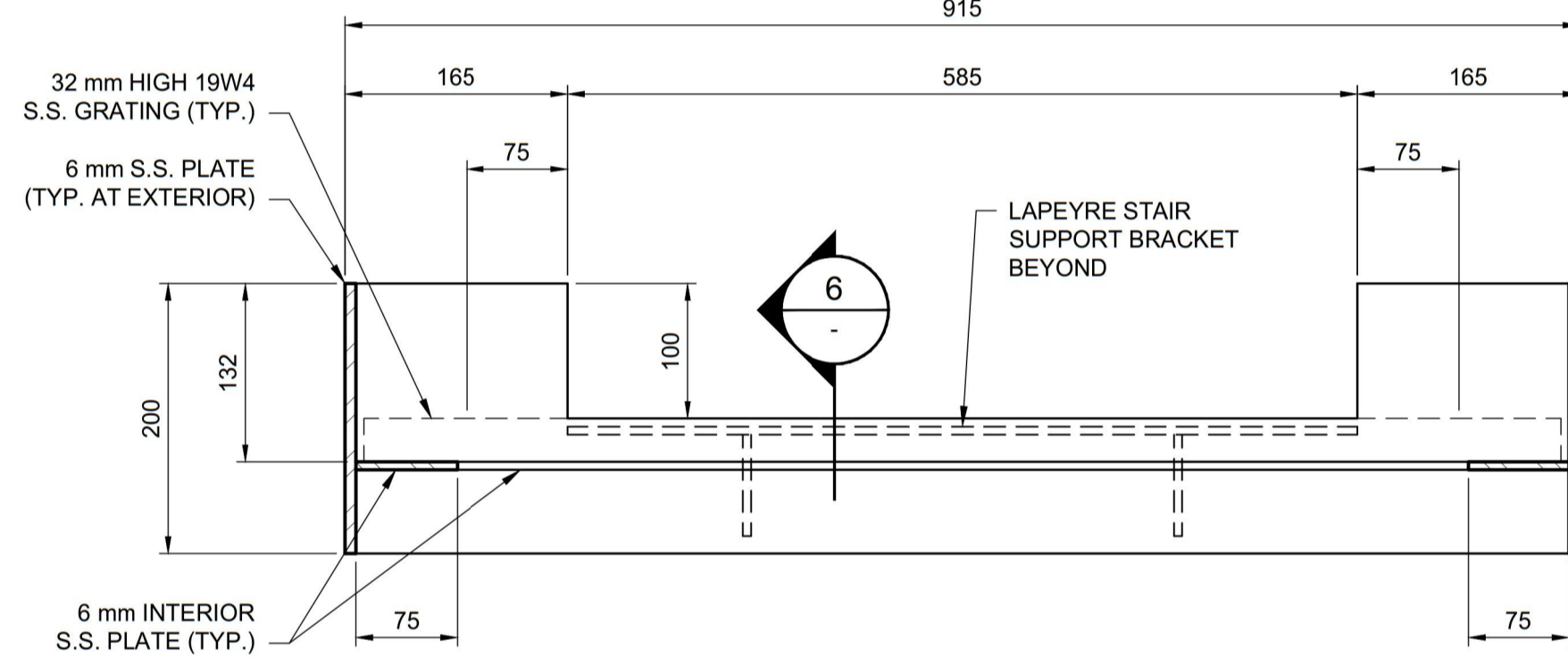
2 PLAN 1:10
TYPICAL PLATFORM C C-W



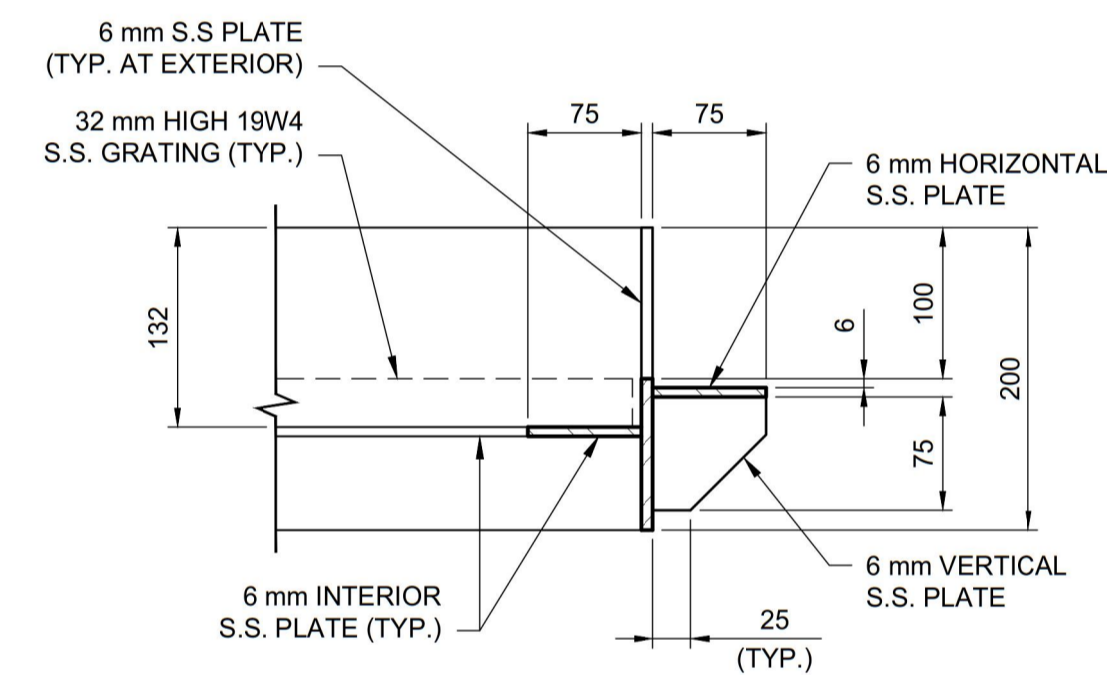
8 DETAIL 1:5
TYPICAL CORNER CONNECTION
B-W, C-E, C-W



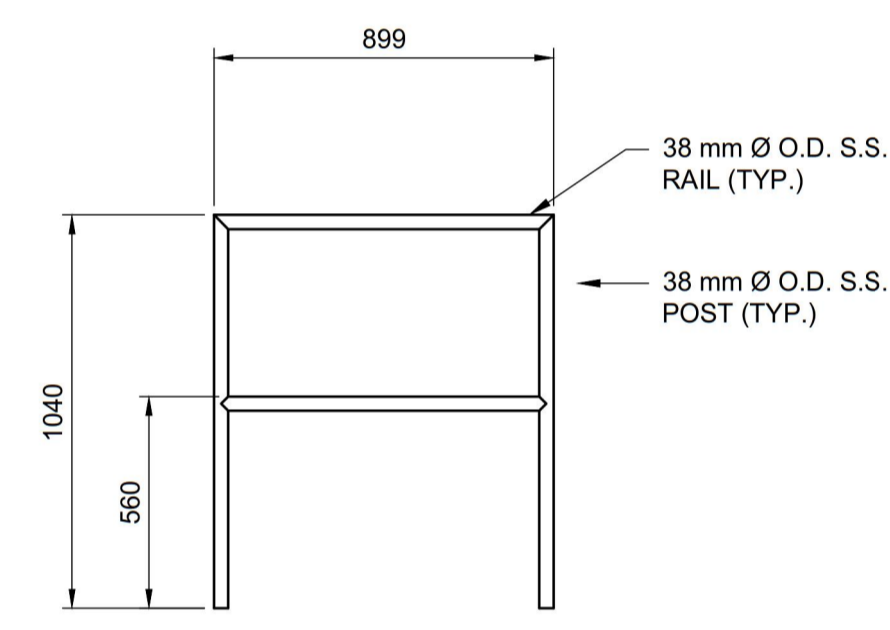
9 DETAIL 1:5
TYPICAL MID-RAIL CONNECTION
B-E



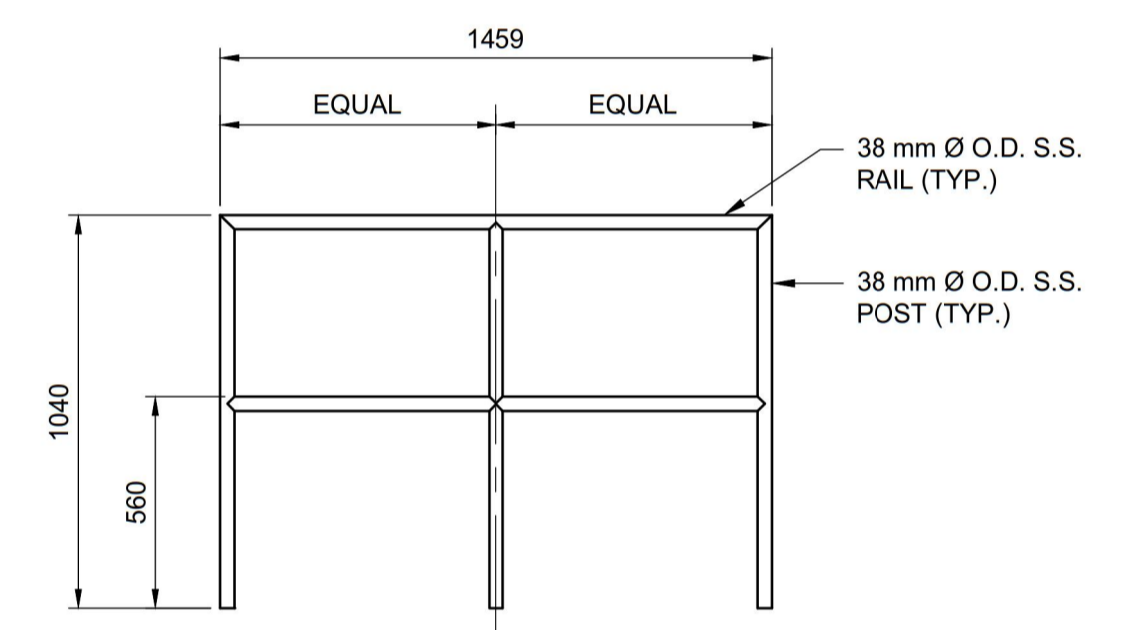
3 SECTION 1:5
TYPICAL PLATFORM B B-W & C-E



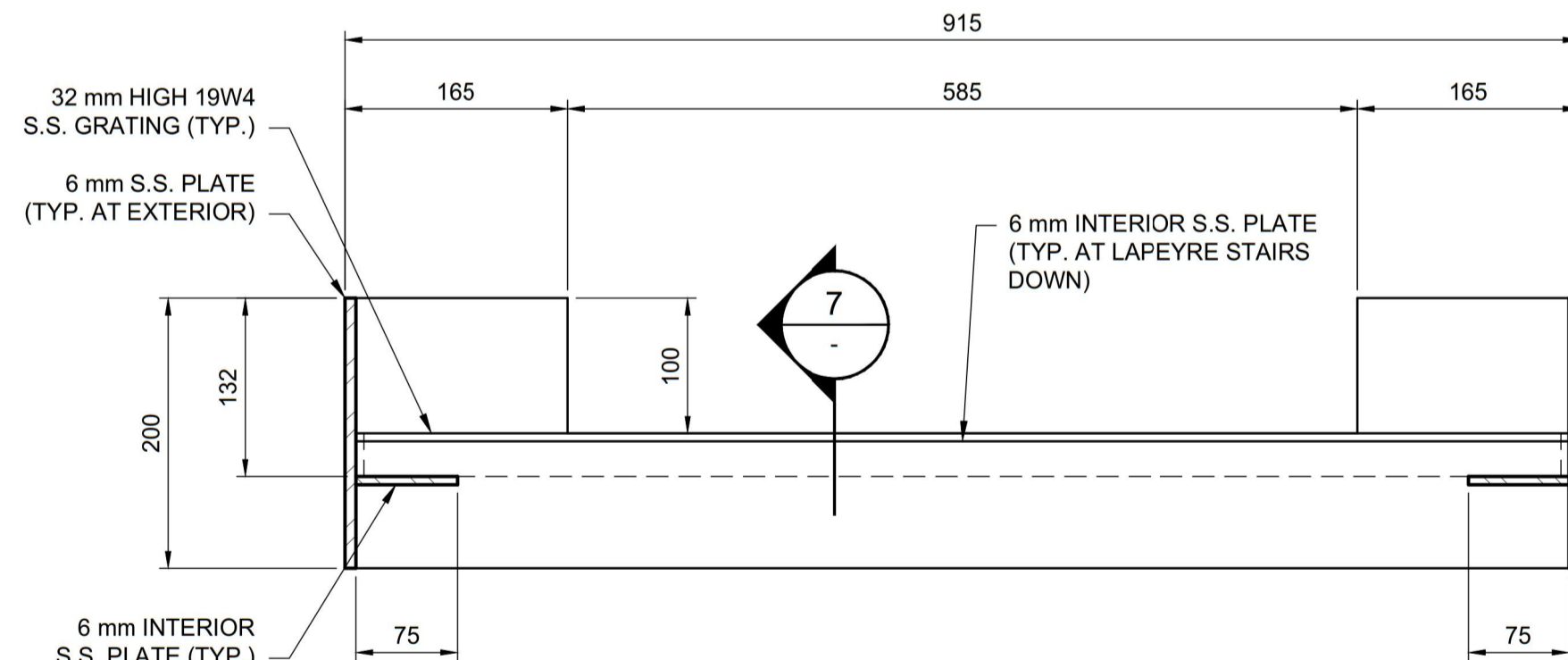
6 SECTION 1:5
LAPEYRE STAIR SUPPORT BRACKET



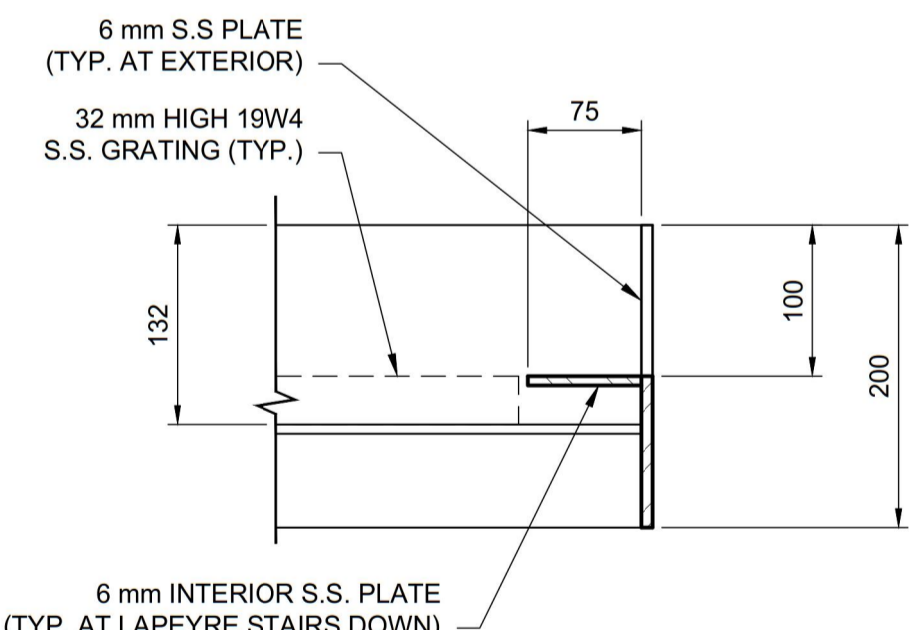
10 ELEVATION 1:20
TYPICAL RAILING PLATFORM B AND C B-W, C-E, C-W



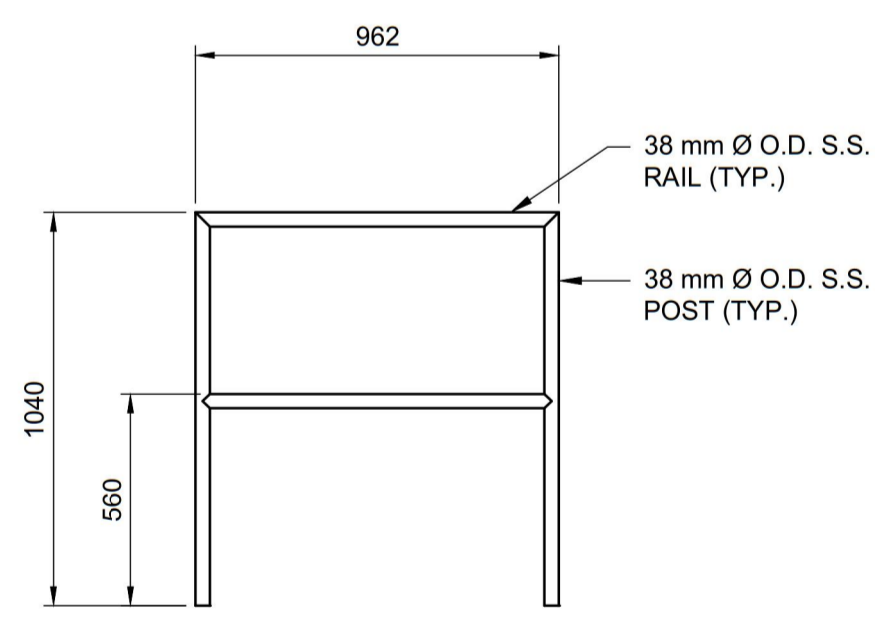
11 ELEVATION 1:20
TYPICAL RAILING PLATFORM A B-E



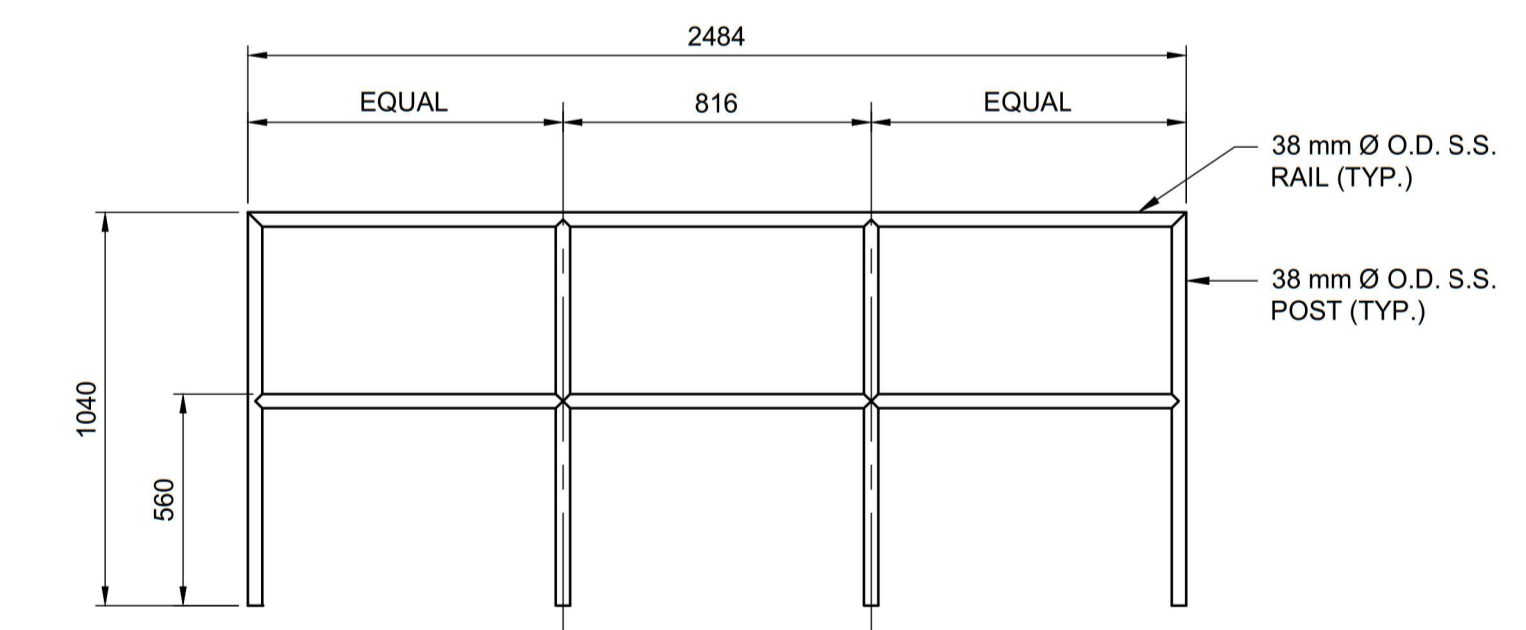
4 SECTION 1:5
TYPICAL PLATFORM C B-E



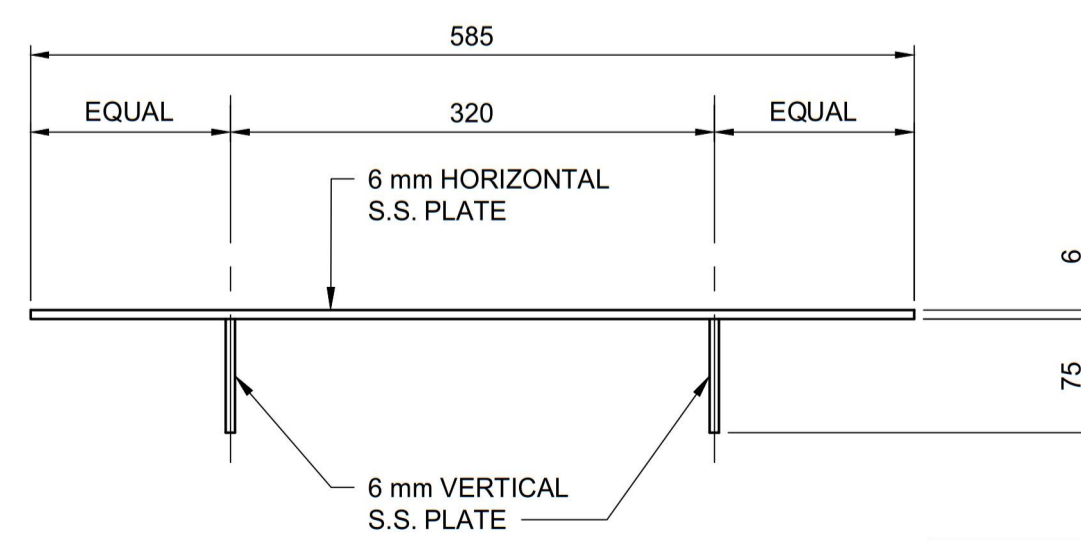
7 SECTION 1:5
LAPEYRE STAIR SUPPORT BRACKET



12 ELEVATION 1:20
TYPICAL RAILING PLATFORM A B-E



13 ELEVATION 1:20
TYPICAL RAILING PLATFORM A B-E



5 SECTION 1:5
LAPEYRE STAIR SUPPORT BRACKET

- NOTES:
- ALL CORNER AND T JOINTS TO BE 100% BUTT WELDS (TYPICAL UNLESS NOTED OTHERWISE)
 - ALL MISCELLANEOUS METAL TO BE STAINLESS STEEL GRADE 316L UNLESS NOTED OTHERWISE.
 - ALL CONNECTIONS TO BE 16M A325 STAINLESS STEEL BOLTS WITH WASHERS E.F. UNLESS NOTED OTHERWISE.

METRIC
WHOLE NUMBERS INDICATE MILLIMETRES
DECIMALIZED NUMBERS INDICATE METRES

APEGM
Certificate of Authorization
Dillon Consulting Limited (MB)
No. 1789 Date: 2015-11-20

LOCATION APPROVED UNDERGROUND STRUCTURES		B.M. ELEV.	CHECKED BY	DRA	ENGINEER'S SEAL
N/A		CONSTRUCTION COMPLETION DATE:	APPROVED BY	SSR	
SUPV. U/G STRUCTURES COMMITTEE DATE			DESIGNED BY	FAK	
NOTE: LOCATION OF UNDERGROUND STRUCTURES AS SHOWN ARE BASED ON THE BEST INFORMATION AVAILABLE BUT NO GUARANTEE IS GIVEN THAT ALL EXISTING UTILITIES ARE SHOWN OR THAT THE GIVEN LOCATIONS ARE EXACT. CONFIRMATION OF EXISTENCE AND EXACT LOCATION OF ALL SERVICES MUST BE OBTAINED FROM THE INDIVIDUAL UTILITIES BEFORE PROCEEDING WITH CONSTRUCTION.			DRAWN BY	TLK	
			SCALE:	AS NOTED	
2	ISSUED FOR ADDENDUM No.2	2015 12 10	SSR	HORIZONTAL	RELEASED FOR CONSTRUCTION
1	ISSUED FOR TENDER	2015 11 20	SSR	VERTICAL	CONSULTANT DRAWING NUMBER
NO.	REVISIONS	DATE	BY	DATE	14-1411-S-111
				2015 11 20	SHEET OF
					19 OF 47
					CITY DRAWING NUMBER
					1-0650R-S0009-003

THE CITY OF WINNIPEG
WATER AND WASTE DEPARTMENT
ENGINEERING DIVISION
WILKES RESERVOIR NORTH CELL REHABILITATION
STAIR ACCESS PLATFORMS
PLATFORM B AND C, SECTIONS AND DETAILS
SHEET 3 OF 3

DATE: 2015 11 18
BID OPPORTUNITY: 930-2015
FILE PATH: P:\20154593\00_Kemp_Wilkes\Working_Dwgs\300_Structural\