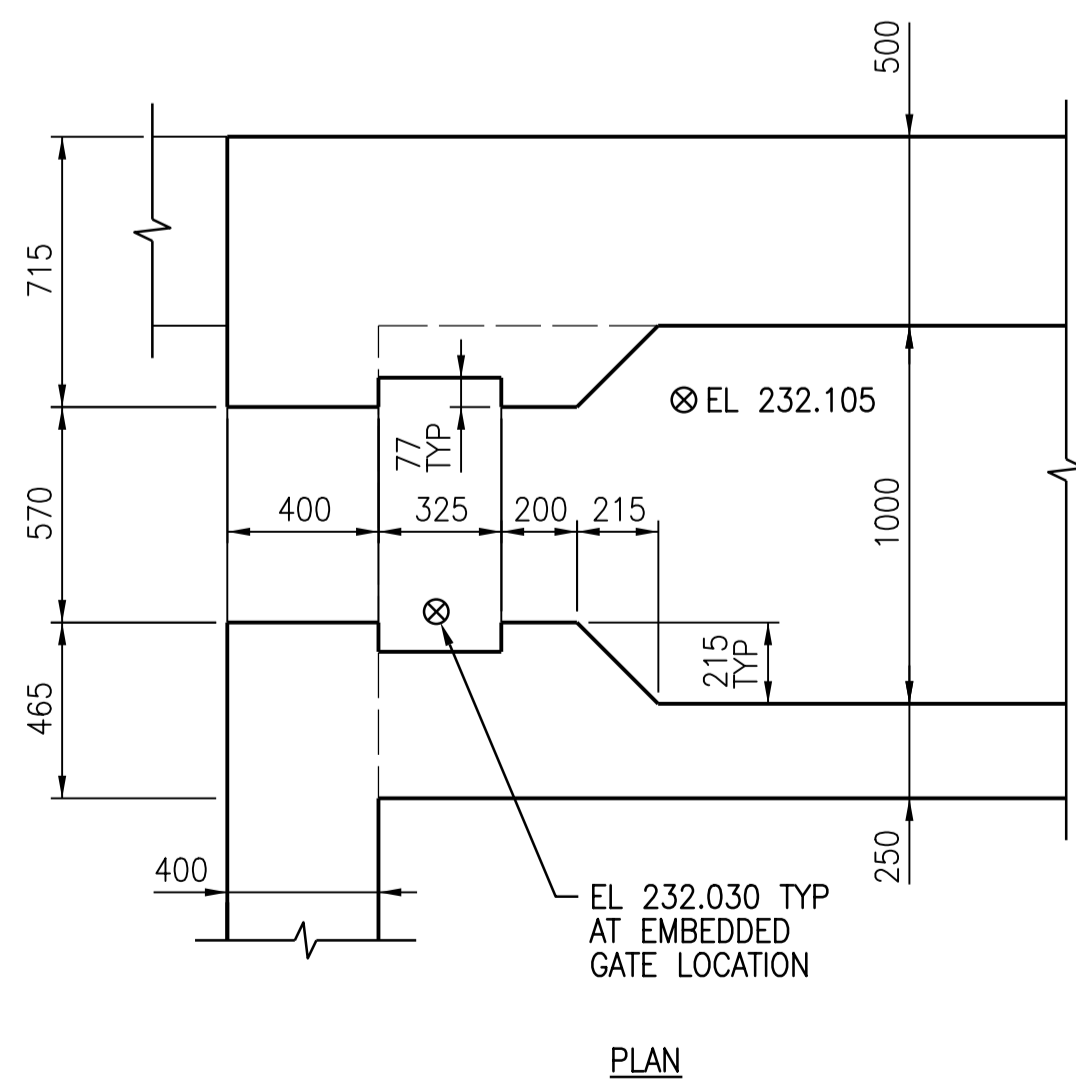
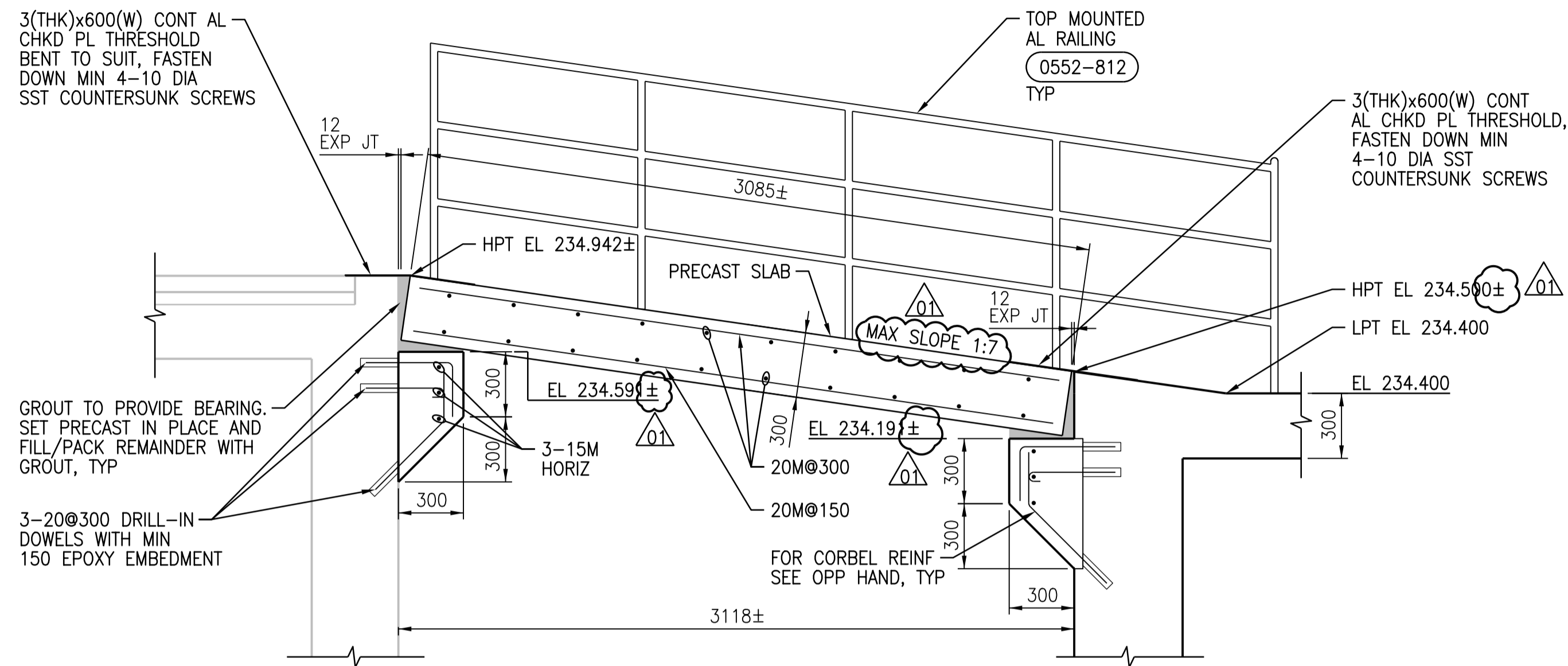


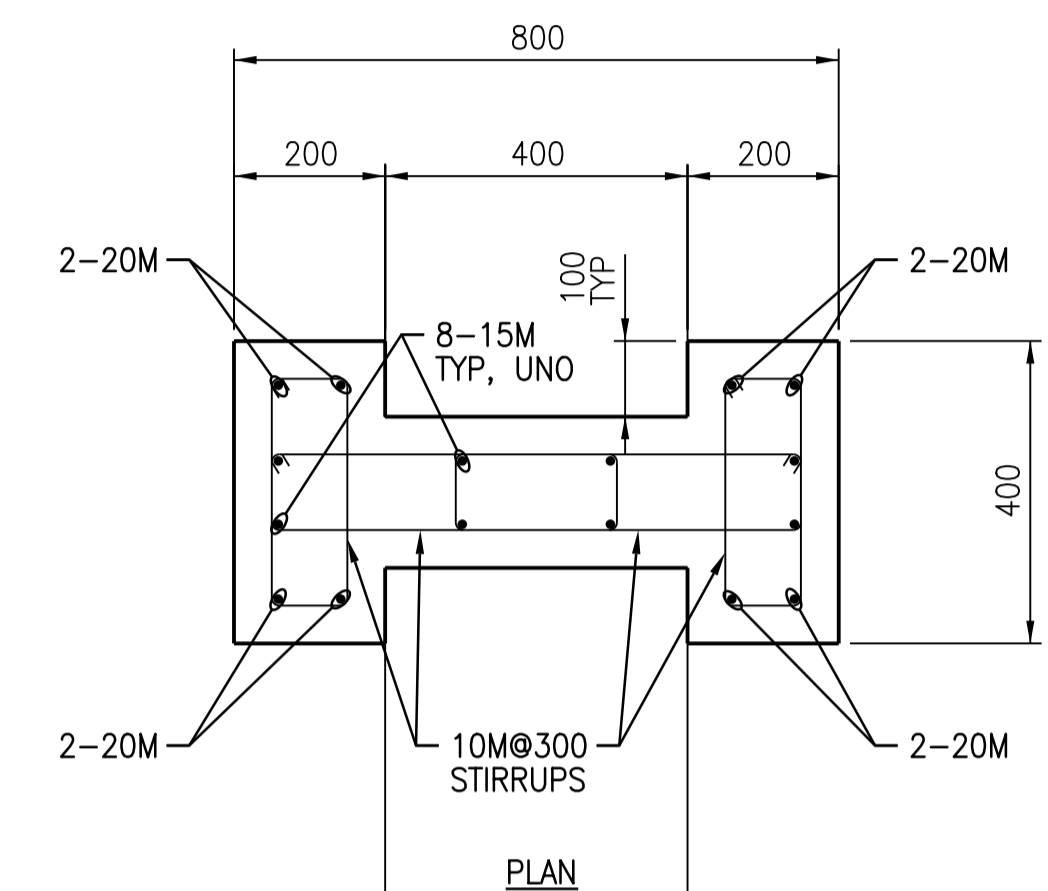
1 DETAIL
1:20
SGAD-R010



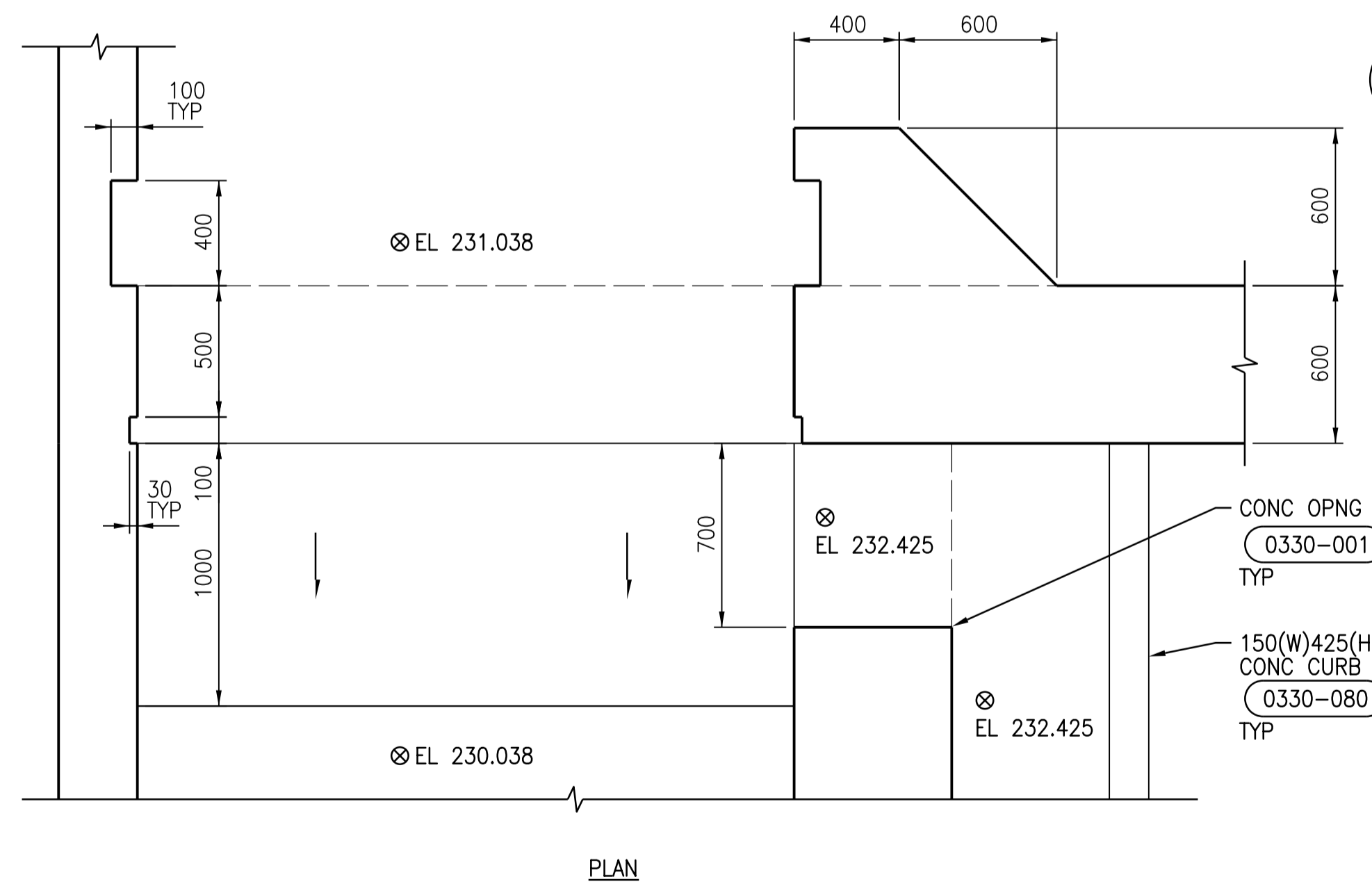
4 DETAIL
1:20
SGAD-R006, SGAD-R009, SGAD-R010



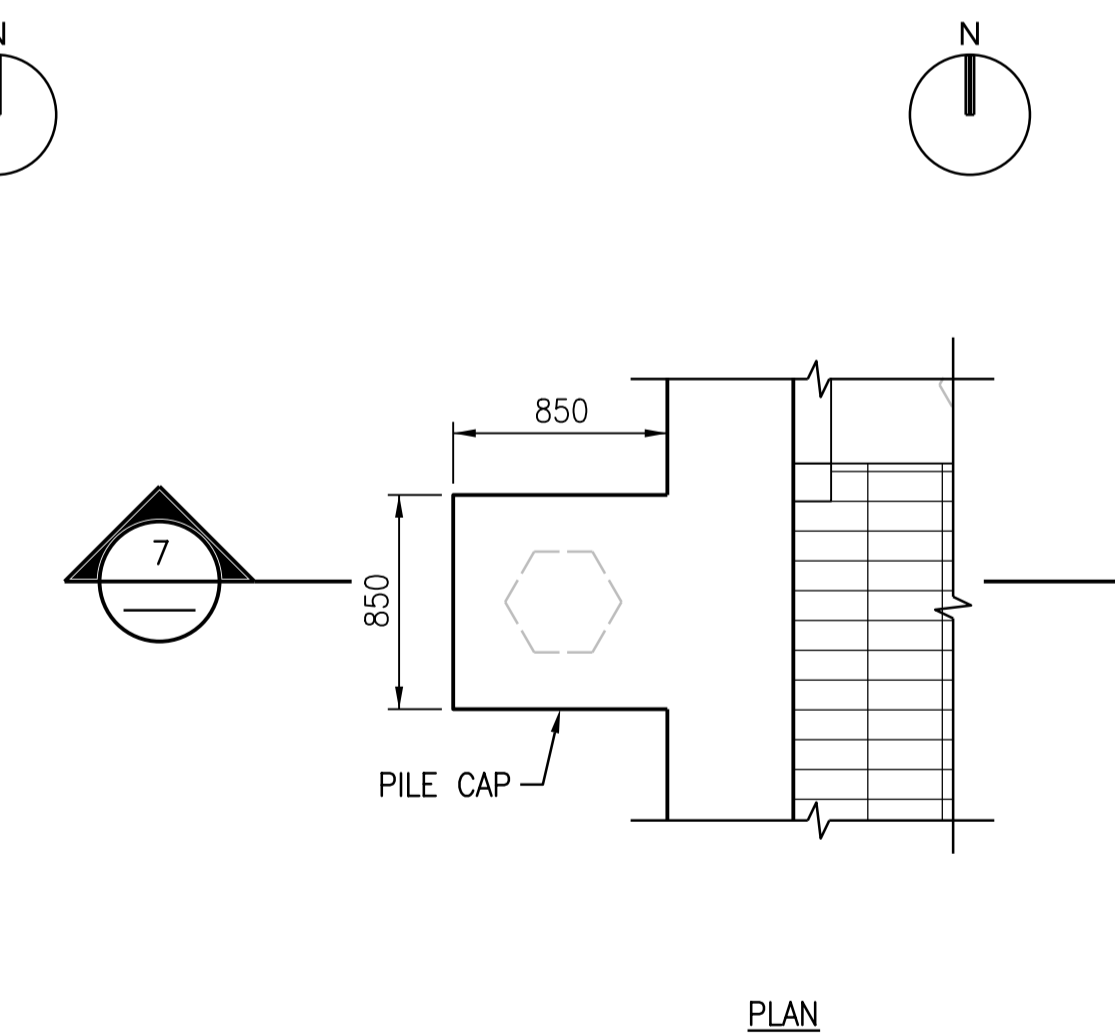
SECTION
2 DETAIL
1:20



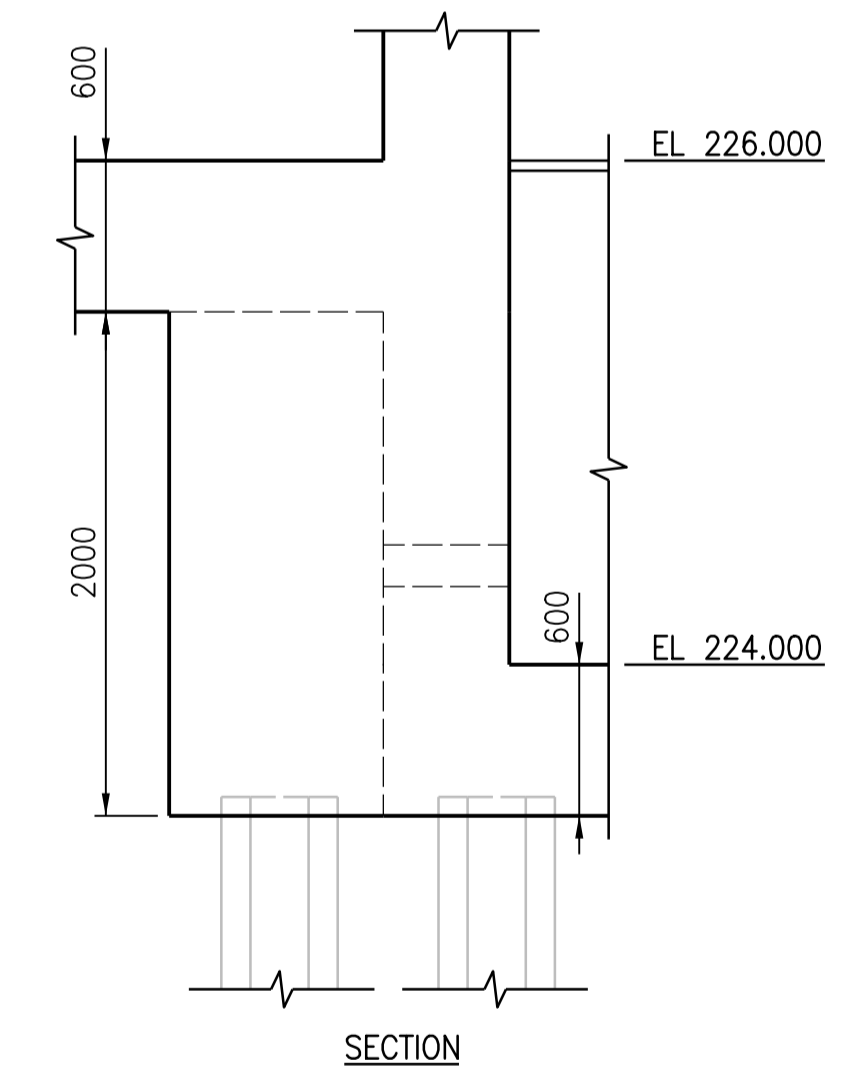
3 DETAIL
1:10
SGAD-R006



5 DETAIL
1:20
SGAD-R006



6 DETAIL
1:30
SGAD-R003

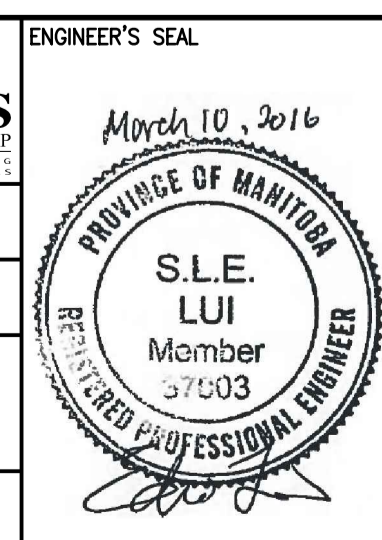


7 DETAIL
1:30



NO.	REVISIONS	DATE	DESIGN	CHECK
01	ISSUED FOR ADD. 4 - B.O. 899-2015	03/2016	C.R.	J.C.
00	ISSUED FOR TENDER - B.O. 899-2015	01/2016	C.R.	J.C.

CH2MHILL		KCS GROUP	
SNC-LAVALIN		ENGINEER'S SEAL	
DESIGNED BY: J. THANNICKAL	CHECKED BY: E. LUI		
DRAWN BY: C. RYNARD	APPROVED BY: H.T. FREIHAMMER		
SCALE: AS NOTED	ISSUED FOR CONSTRUCTION BY: T. TURZAK		
DATE: 2016/01/29	DATE: 2016/01/29		
CONSULTANT NO.: 474248			



THE CITY OF WINNIPEG
WATER AND WASTE DEPARTMENT

SOUTH END WATER POLLUTION CONTROL CENTRE
SEWPC UPGRADING/EXPANSION PROJECT
STRUCTURAL
BIOREACTORS/BLOWER BUILDING
DETAILS

CITY DRAWING NUMBER: 1-0102-SDTL-R007
SHEET: 01
REV.: 01
SIZE: A1