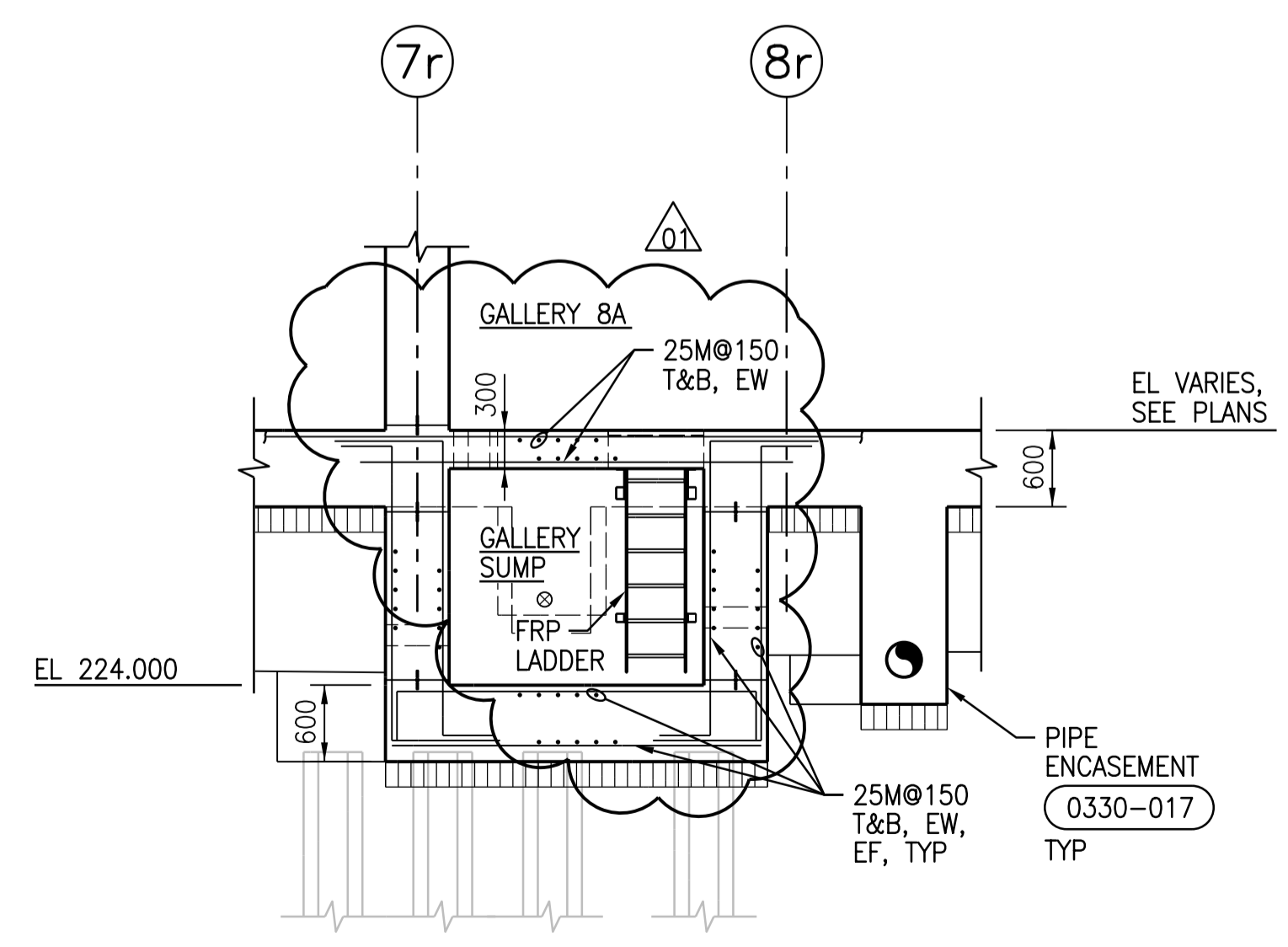


R SECTION
1:50
SGAD-R001, SGAD-R002, SGAD-R005, SGAD-R006, SGAD-R009, SGAD-R010

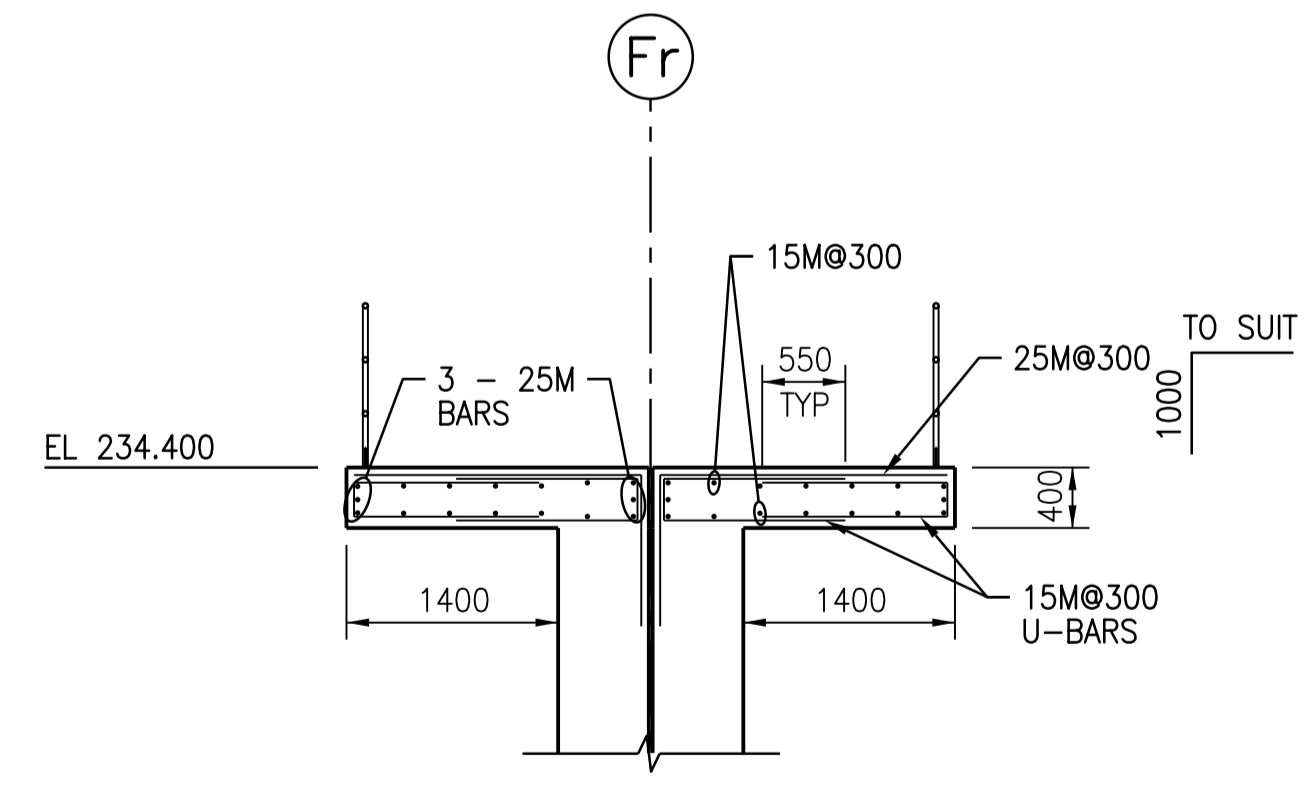
S SECTION
1:50
SGAD-R001, SGAD-R002, SGAD-R005, SGAD-R006, SGAD-R009, SGAD-R010

T SECTION
1:50
SGAD-R001, SGAD-R002, SGAD-R005, SGAD-R006, SGAD-R009, SGAD-R010

W SECTION
1:50
SGAD-R001, SGAD-R002, SGAD-R005, SGAD-R006, SGAD-R009, SGAD-R010



U SECTION
1:50
SGAD-R001, SGAD-R003



V SECTION
1:50
SGAD-R009, SGAD-R010, SGAD-R011, SGAD-R012

NOTE:
1. FOR EXCAVATION AND BACKFILL REQUIREMENTS SEE SECTIONS **A**, **B**, **C**, **G**, AND **K** SGAD-R015/R016, SGAD-R017/R018, SGAD-R019/R020, SGAD-R027 AND SGAD-R029



CH2MHILL SNC-LAVALIN DESIGNED BY: J. THANNICKAL DRAWN BY: C. RYNARD SCALE: 1:50 DATE: 2016/01/29 CONSULTANT NO.: 474248		ENGINEER'S SEAL KCS 24/02/2016 PROVINCE OF MANITOBA S.L.E. LUI Member 37003 REGISTERED PROFESSIONAL ENGINEER		THE CITY OF WINNIPEG WATER AND WASTE DEPARTMENT SOUTH END WATER POLLUTION CONTROL CENTRE SEWPCC UPGRADING/EXPANSION PROJECT STRUCTURAL BIOREACTORS/BLOWER BUILDING SECTIONS R, S, T, U, V and W	
01 ISSUED FOR ADD. 2 - B.O. 899-2015 02/2016 C.R. J.C.	02 ISSUED FOR TENDER - B.O. 899-2015 01/2016 C.R. J.C.	DATE: 2016/01/29 BY: T. TURZAK	DATE: 2016/01/29 BY: T. TURZAK	CITY DRAWING NUMBER 1-0102-SGAD-R038	SHEET REV. SIZE 001 01 A1