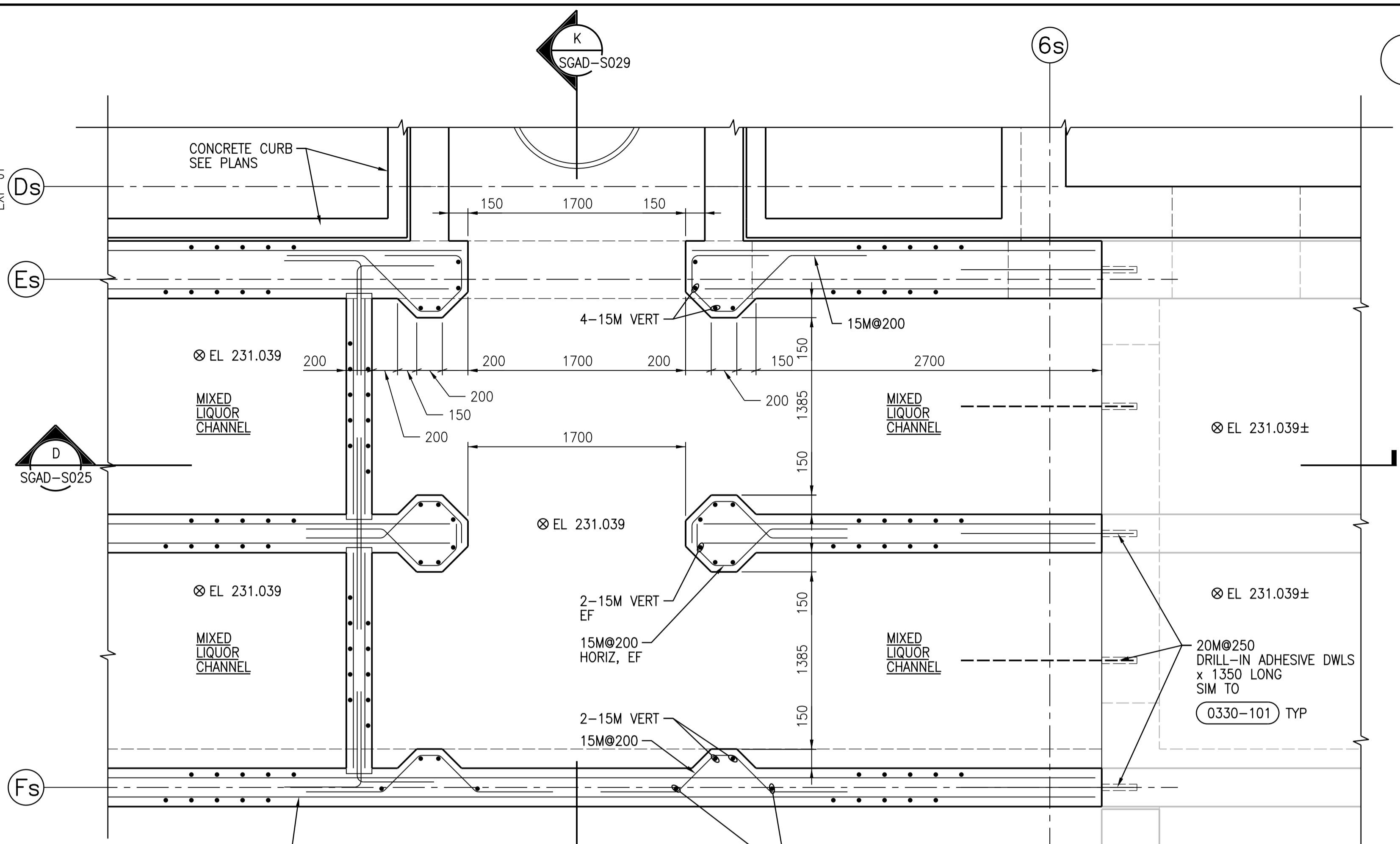
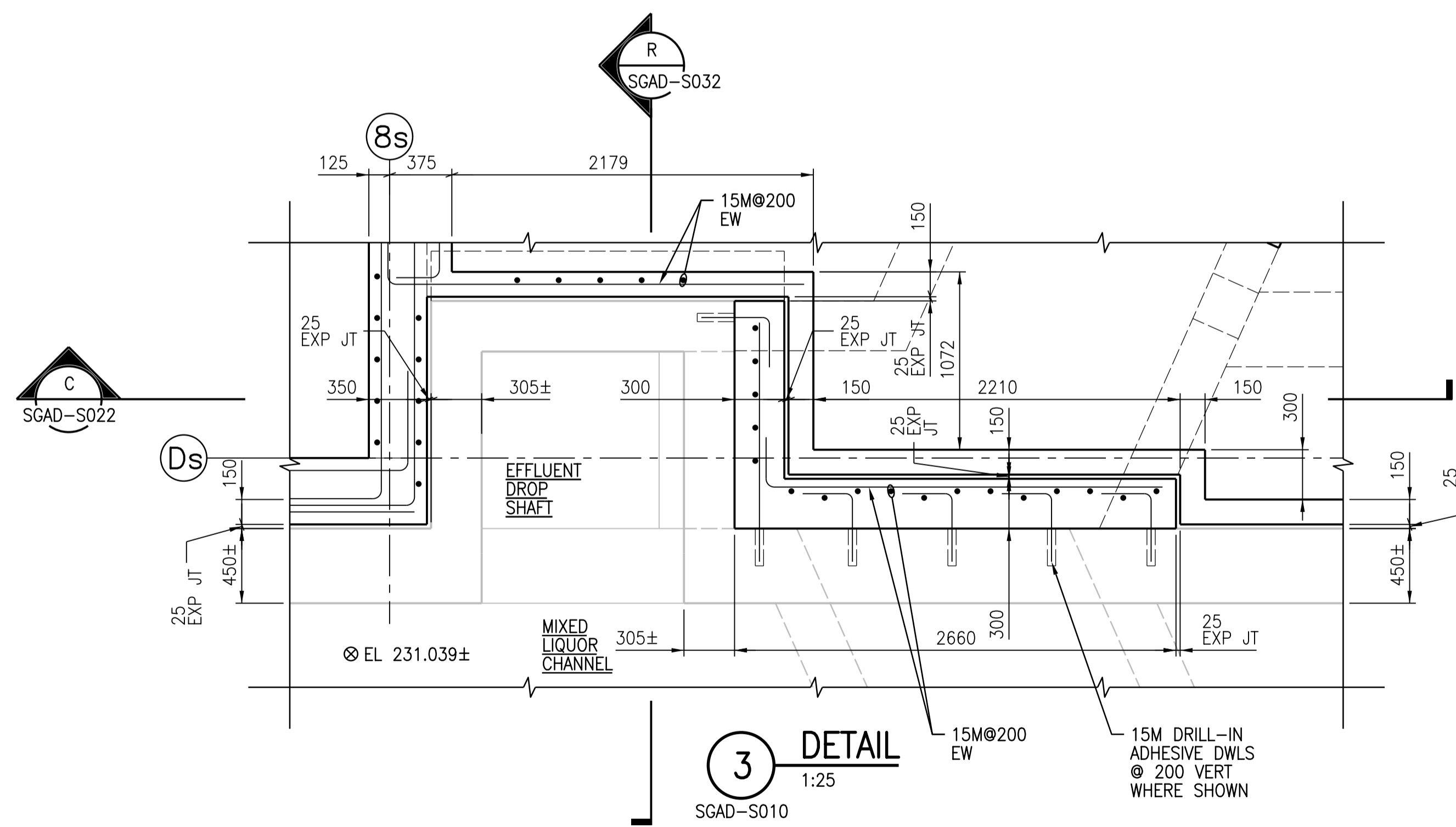


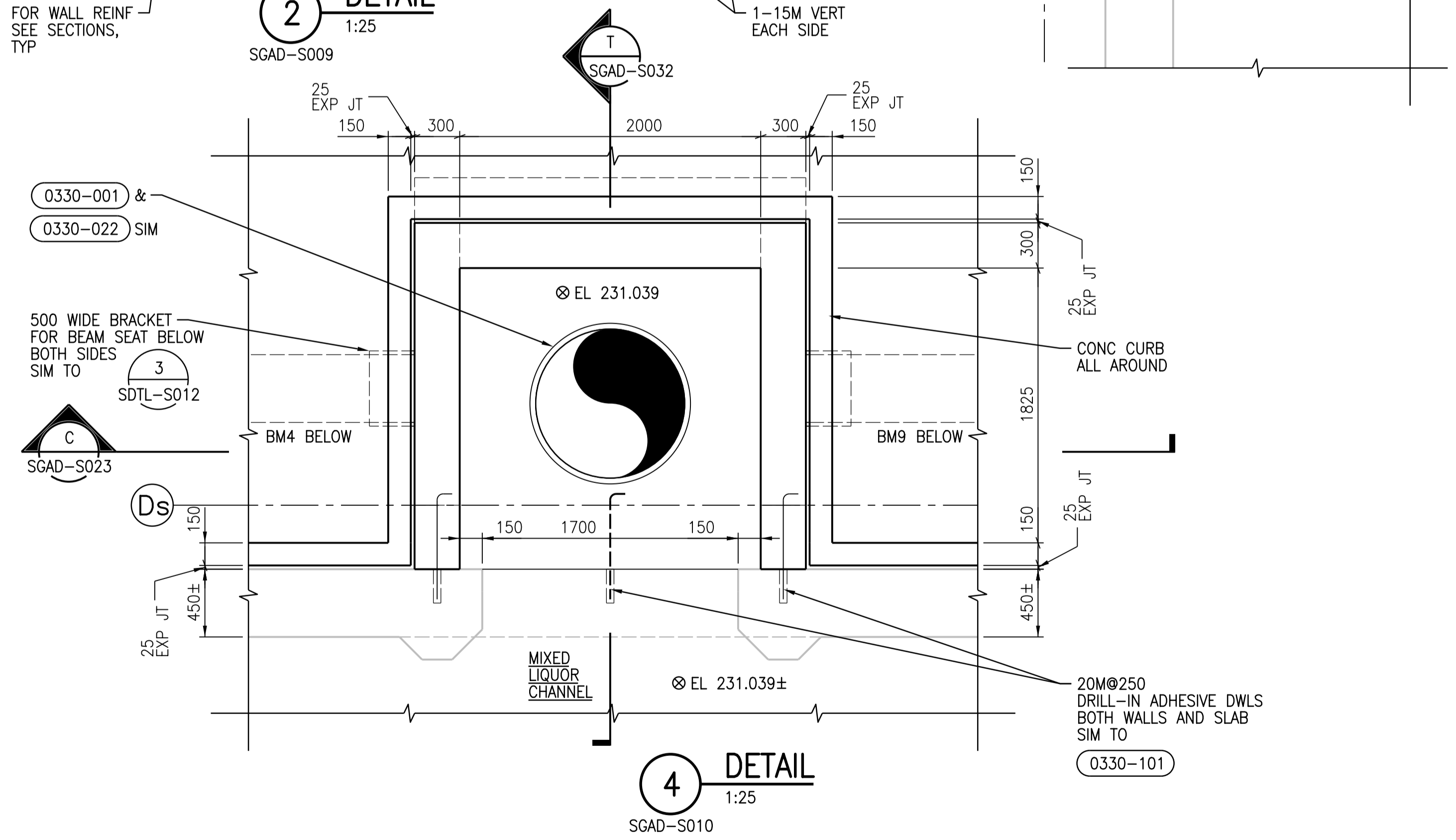
1 DETAIL
1:25
SGAD-S009



2 DETAIL
1:25
SGAD-S009



3 DETAIL
1:25
SGAD-S010

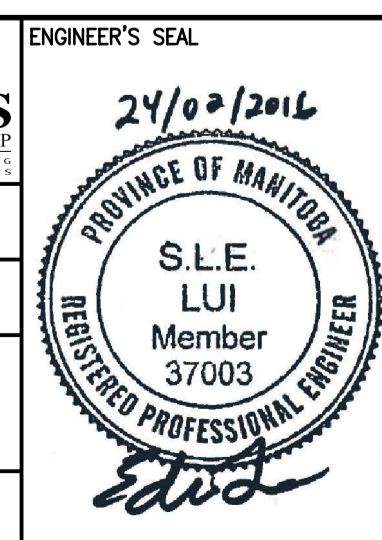


4 DETAIL
1:25
SGAD-S010



NO.	REVISIONS	DATE	DESIGN	CHECK
01	ISSUED FOR ADD. 2 - B.O. 899-2015	02/2016	G.O.	J.C.
00	ISSUED FOR TENDER - B.O. 899-2015	01/2016	G.O.	J.C.

CH2MHILL		ENGINEER'S SEAL	
SNC-LAVALIN		24/02/2016	
DESIGNED BY: A THAKKAR	CHECKED BY: R. PARIKH		
DRAWN BY: G. OMORI	APPROVED BY: H.T. FREIHAMMER		
SCALE: 1:25	ISSUED FOR CONSTRUCTION BY: T. TURZAK		
DATE: 2016/01/29		DATE: 2016/01/29	
CONSULTANT NO.: 474248			



THE CITY OF WINNIPEG
WATER AND WASTE DEPARTMENT

SOUTH END WATER POLLUTION CONTROL CENTRE
SEWPC UPGRADING/EXPANSION PROJECT
STRUCTURAL
SECONDARY CLARIFIERS 4 AND 5
DETAILS

CITY DRAWING NUMBER: 1-0102-SDTL-S008
SHEET: 001
REV: 01
SIZE: A1